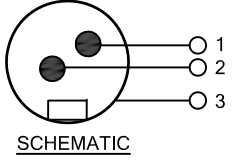
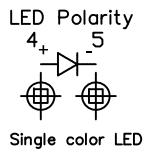
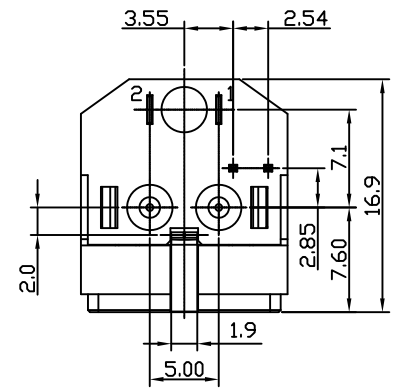
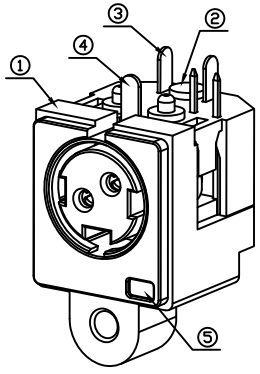


REV.	ECN. NO.	DESCRIPTION	ENG	DATE
X1		ISSUED	Peter	07/15/19'
X2		Update pin number problem	Peter	07/19/19'

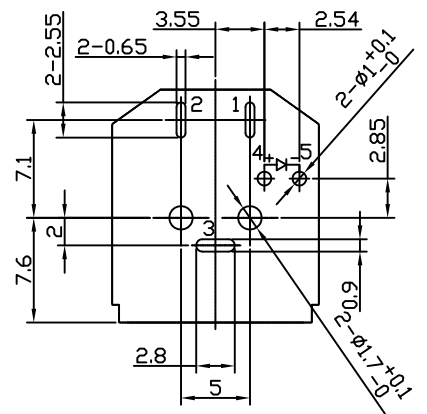


LED Specification		
FORWARD V(MAX)	*(TYP)	WAVELENGTH
3.6V	3.2V	522±6nm

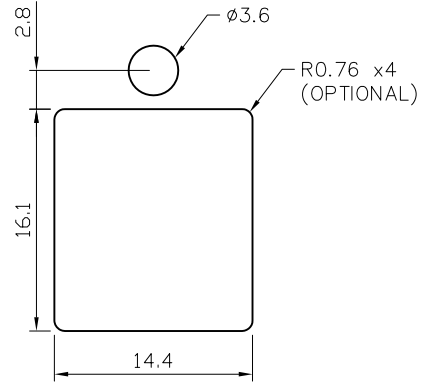
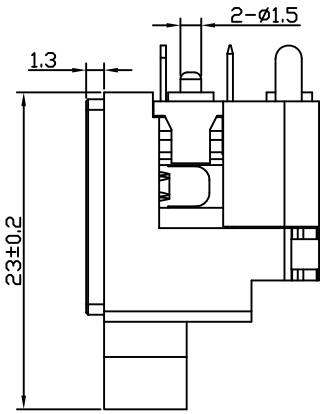
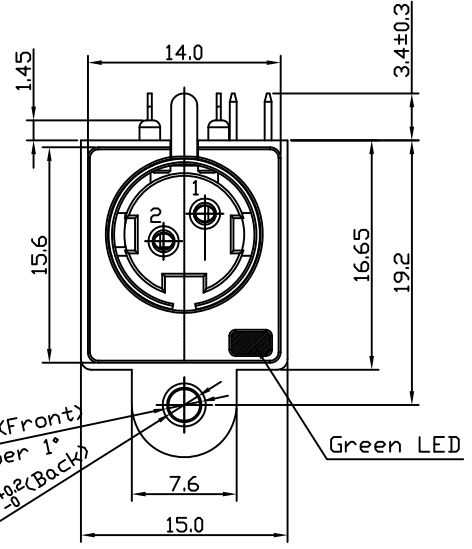
*With a forward current of 15mA(TYP)



3D View



Recommended P.C.B Layout
Bottom View
P.C.B Tolerances:±0.05mm



RECOMMENDED PANEL CUTOUT
TOLERANCE: ±0.127mm
(PANEL THICKNESS: 0.8mm)

- NOTES:
- 1.Rating: PIN 1&2:DC20V 7.5A Max.
 - 2.CONTACT RESISTANCE: 30mΩ Max.
 - 3.INSULATION RESISTANCE: DC250V 50MΩ Min.
 - 4.VOLTGE WITHSTANDING: AC250V 1Minute.
 - 5.INSERTION FORCE: 4.5kgf Max.
WITHDRAWAL FORCE: 1.0kgf Min.
 - 6.RELEASE ANGLE OF SCREW HOLE: 1°
 - 7.OPERATING TEMP: -25°C TO +85°C
 - 8.MOUNTING SCREW HOLE IS SIZED FOR PLASTITE NO.4 SCREW, MOUNTING TORQUE IS 40-51 N-cm.
 - 9.WAVE SOLDER CONDITION PEAK TEMPERATURE: 260°C

LOGO 阴影部分深0.1mm

ITEM	NAME	Q'TY	DESCRIPTION	MATERIAL	FINISH / COLOR	NOTE
5	LED	1		GREEN LIGHT COLOR	Ag 10u" plating	
4	GROUND	1		BRASS, T= 0.40±0.08	Tin 100u" plating	
3	PIN	2		PHOS. BRONZE, T=0.30±0.05	Tin 100u" plating	
2	COVER	1		PBT+15%GF, UL94V-0	COLOR BLACK	
1	BODY	1		PBT+15%GF, UL94V-0	COLOR BLACK	

GENERAL TOLERANCE	ANGLE TOLERANCE	DRAWN	DATE
X.± 0.30	X°±	Peter	07/19/19'
.X± 0.25	.X°±	DESIGN	DATE
.XX± 0.20	.XX°±	CHECKED	DATE
.XXX±	.XXX°±	APPROVED	DATE
MATL	SEE BOM	SCALE	N/A
FINISH	SEE NOTES	UNIT	mm
SHEET 1 OF 1			

PRELIMINARY
NOT RELEASED

TITLE:
2 PINS POWER JACK W/ LED

PART NUMBER:
151-10114-01

DRAWING NO.
151-10114

SIZE A4
REV. X2