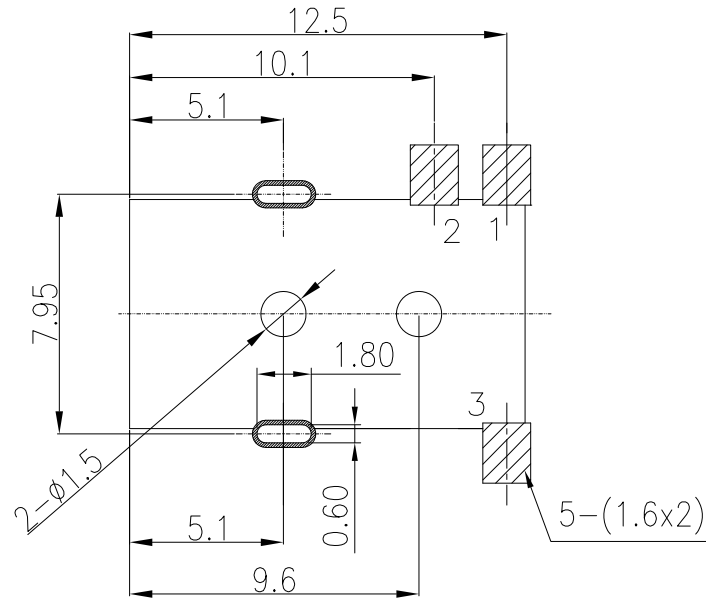
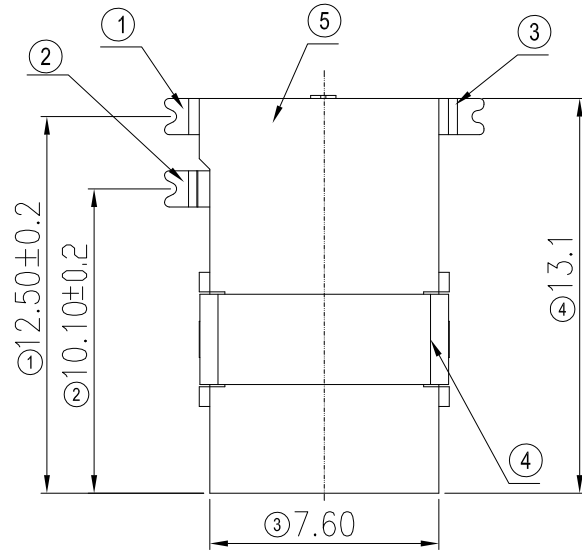
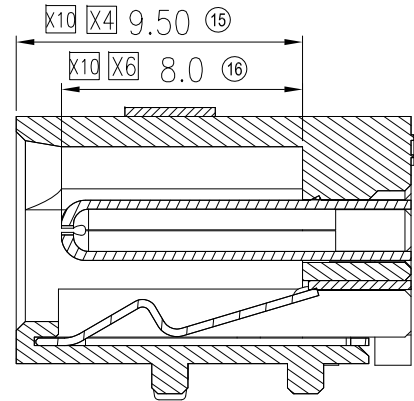
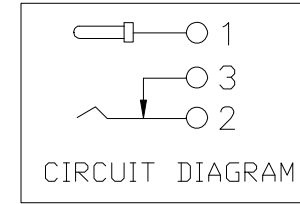


PROPRIETARY INFORMATION
COMPANY CONFIDENTIAL

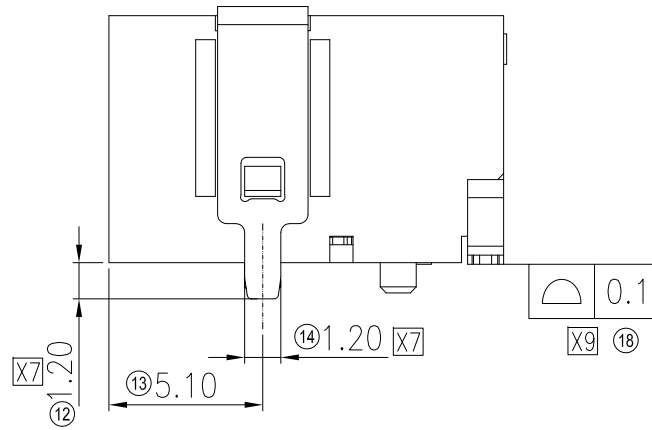
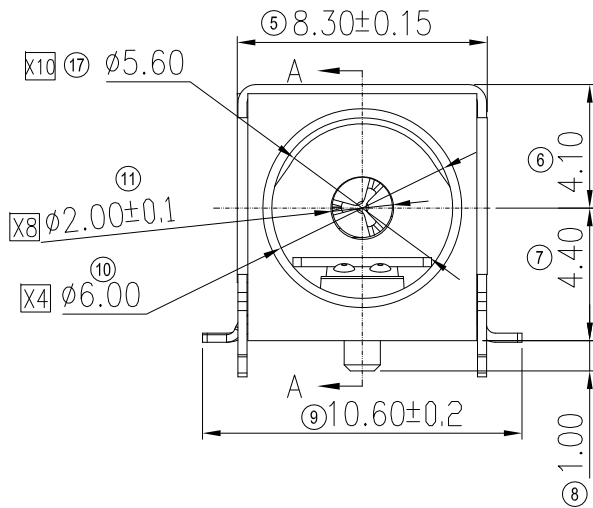
REV.	ECN. NO.	DESCRIPTION	ENG	DATE
X1		INITIAL	Yin	6/5/18'
X2		Add packing	Yin	7/2/18'
X3		Add Plug spec	Yin	9/27/18'
X4		Modify insert depth	Yin	9/30/18'
X5		Modify plug contact depth	Yin	10/9/18'
X6		ADD DIM	Yin	11/9/18'
X7		Modify shield feet	Luck Tao	01/9/19'
X8		Modify power pin tolerance	Luck Tao	03/26/19'
X9		Add DIM	yin	04/12/19'
X10		Change structure	yin	06/11/19'



PCB LAYOUT TOP VIEW



SECTION A-A



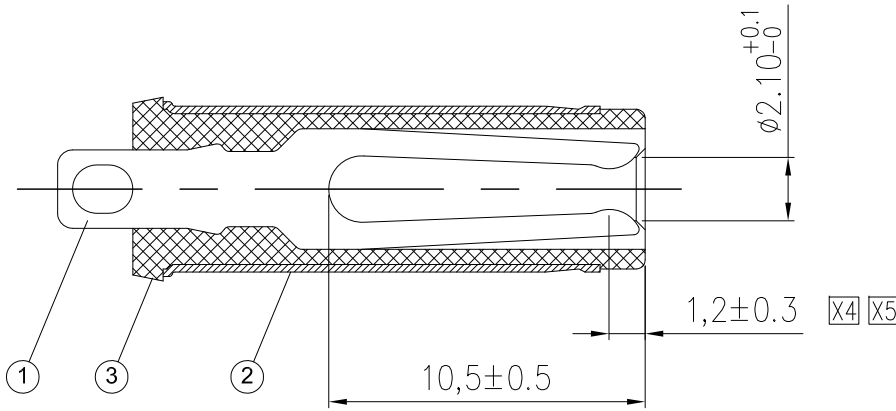
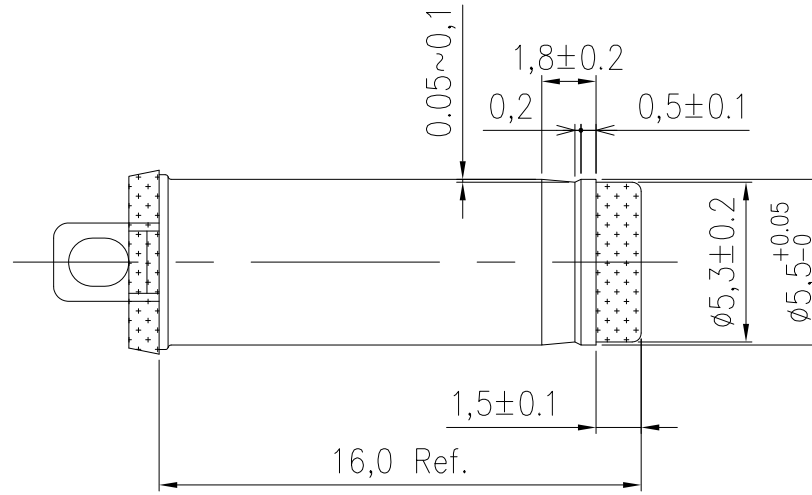
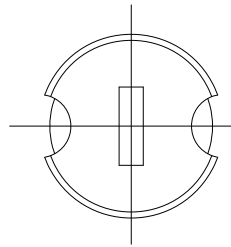
ITEM	NAME	Q'TY	MATERIAL	NOTE
5	HOUSING	1	PA9T+30%GF, UL94V-0	BLACK
4	SHELL	1	BRASS	PLATING Ag10u"
3	TERMINAL	1	BRASS	PLATING Ag10u"
2	SPRING	1	PHOSPHOR BRONZE	PLATING Ag10u"
1	CENTER PIN	1	BRASS	PLATING Ag10u"

GENERAL TOLERANCE	ANGLE TOLERANCE	DRAWN	DATE
X.±0.5	X°±2°	Luck Tao	1/9/19'
.X±0.3	.X°±1°	CHECKED	DATE
.XX±0.2	.XX°±	APPROVED	DATE
.XXX±	.XXX°±		

MATL	SEE BOM
FINISH	SEE NOTES
SCALE	N/A
UNIT	mm
SHEET	1 OF 2

genesis connected solutions	
TITLE.	DC POWER JACK SMT TYPE CONNECTOR
PART NUMBER.	151-10095-01
DRAWING NO.	151-10095
SIZE	A4
REV.	X10

PROPRIETARY INFORMATION
COMPANY CONFIDENTIAL



X3 **RECOMMENDED PLUG**

Specification:

- 1.Rating: 5A
- 2.Contact resistance: 30m ohms max.
- 3.Insulation Resistance: 100M ohms min.
- 4.Wirhstand voltage: AC 500V/min
- 5.Insertion and extraction force: 3~30N
- 6.Lofe test: 5000 cycles

X2 7.Packing: Tape&Reel

3	PBT,UL94v-0	COLOR:BLACK
2	BRASS	NICKEL
1	P-BRONZE	NICKEL
ITEM	MATERIAL	NOTE

GENERAL TOLERANCE .X±0.5 .X±0.3 .XX±0.2 .XXX±	ANGLE TOLERANCE X°±2° .X°±1° .XX°± .XXX°±	DRAWN Luck Tao	DATE 1/9/19'
MATL SEE BOM		CHECKED	DATE
FINISH SEE NOTES		APPROVED	DATE
SCALE N/A	UNIT mm	SHEET 2 OF 2	



TITLE DC POWER JACK SMT TYPE CONNECTOR	SIZE A4
PART NUMBER 151-10095-01	REV. X10
DRAWING NO. 151-10095	