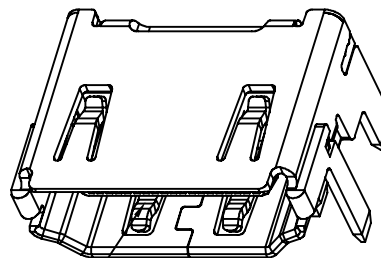
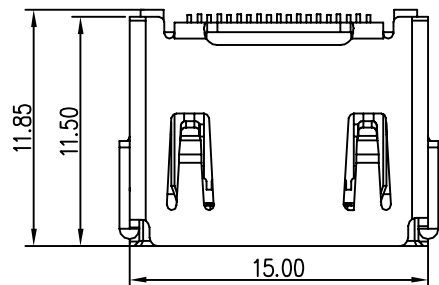
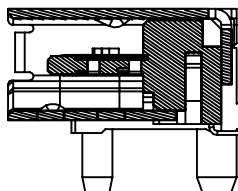


PROPRIETARY INFORMATION
COMPANY CONFIDENTIAL

REV.	ECN. NO.	DESCRIPTION	ENG	DATE
X1		INITIAL	Lucky	08/03/2016"
X2		UPDATE DRAWING	Lucky	08/11/2016"
X3		ADDED DIMENSION	Lucky	08/17/2016"
X4		1.ADD SECTION VIEW; 2.Modify the shell riveting point.	Ethan	09/30/2016"
X5		1.Adjust the 18PIN & 19PIN location; 2.Add plated options	Ethan	11/25/2016"
X6		ADD PLATED OPTIONS	Lucky	12/13/2016"
X7		Add dimensions	Ethan	02/07/2017"
X8		Optimized shell structure	Hunter	06/12/2017"



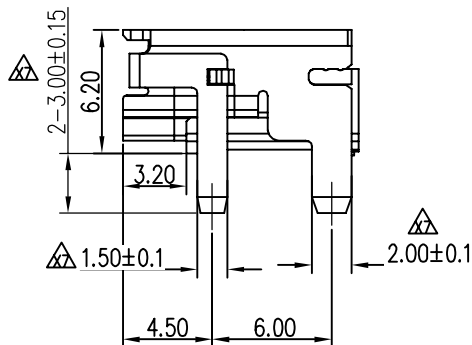
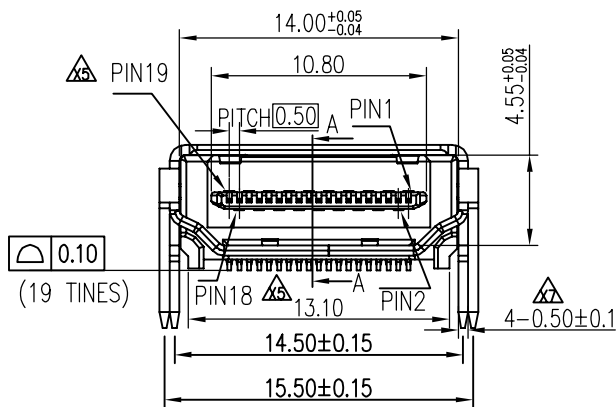
3D VIEW



SEC A-A

NOTES:

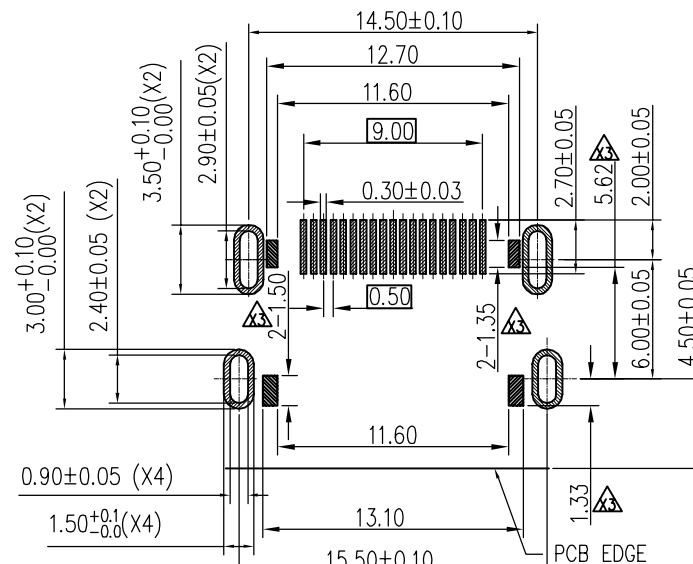
- CONTACT RESISTANCE: TERMINAL: 30mΩ MAX.
SHELL: 50mΩ MAX.
- DIELECTRIC WITHSTANDING: TERMINAL: 500V AC MAX.
- INSULATION RESISTANCE: TERMINAL: 100MΩ MAX.
- RATE CURRENT: 0.5A
- VOLTAGE RATING: 40V AC
- INSERTION FORCE: 4.5Kgf MAX.
- PULLING FORCE: 1.0Kgf MIN.
- LEAD FREE AND RoHS COMPLIANCE
- PACKAGE: T&R



PART NUMBER:
130-10026-XX

Contact plating Thickness

- 01: GOLD FLASH
- 02: GOLD 15u"
- 03: GOLD 30u"
- 04: GOLD 3u"



RECOMMENDED PCB LAYOUT
(THICKNESS=1.6±0.15mm)

KEEP OUT AREA

ITEM	NAME	Q'TY	DESCRIPTION
3	SHELL	1	BRASS,PLATING 50u" NICKEL OVERALL
2	TERMINAL	19	BRASS,MATTE TIN 80u" ON SOLDER TAIL,50u" NICKEL UNDER PLATING OVERALL,CONTACT AREA SEE PART NUMBER.
1	HOUSING	1	LCP BLACK

UL94-V0
NOTE

GENERAL TOLERANCE	ANGLE TOLERANCE	DRAWN	DATE
.X±0.38 .XX±0.25 .XXX±0.15	.X°± 3.0° .XX°± 2.0°	Hunter	06/12/2017"
MATL SEE BOM	FINISH SEE NOTES	CHECKED	DATE
SCALE N/A	UNIT mm	APPROVED	DATE
SHEET 1 OF 2		Lucky	06/12/2017"

TITLE	PART NUMBER	DRAWING NO.	SIZE
HDMI A TYPE R/A SMT CONNECTOR	130-10026-XX	130-10026	A4 REV. X7



DATE	DATE	DATE
06/12/2017"		