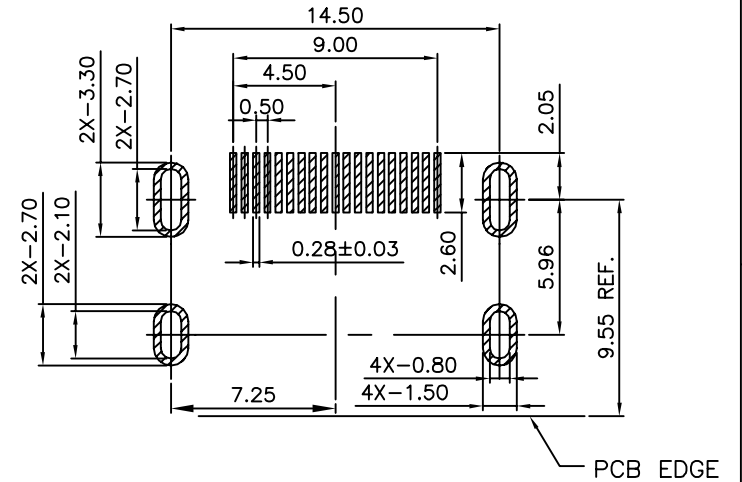
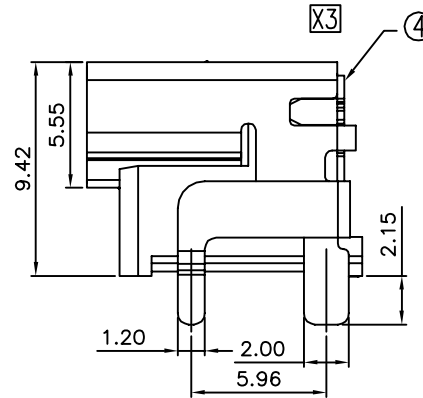
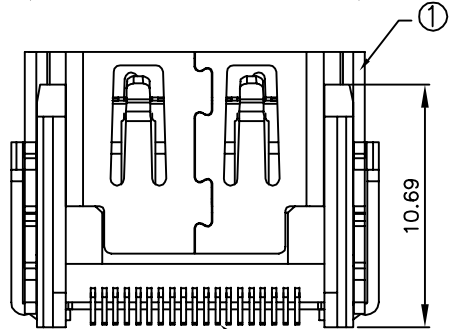
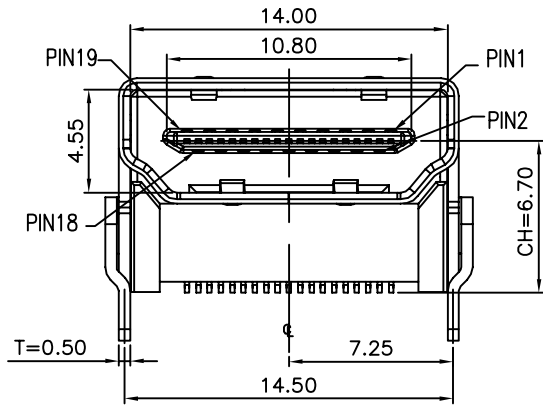
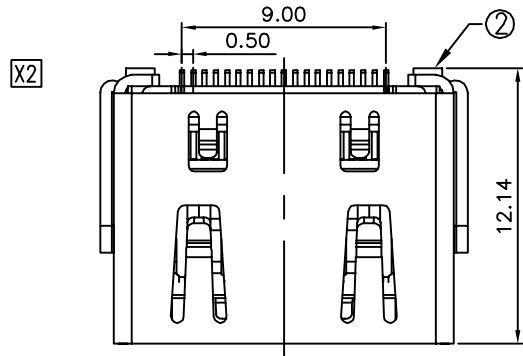


PROPRIETARY INFORMATION
COMPANY CONFIDENTIAL

REV.	ECN. NO.	DESCRIPTION	ENG	DATE
X1		INITIAL	MIKE	08/01/16'
X2		REVISED DRAWING	MIKE	08/03/16'
X3		ADD REAR SHELL	MIKE	08/25/16'



RECOMMENDED P.C.B LAYOUT (T:1.20mm)

TOLERANCE ±0.05

X3

ITEM	NAME	Q'TY	DESCRIPTION	NOTE
4	REAR SHELL	1	SPCC	PLATING NICKEL ALL OVER
3	CONTACT	19	COPPER ALLOY T=0.20mm	GOLD PLATED ON CONTACT AREA IN PLATED ON SOLDER TAILS UNDER PLATING NICKEL ALL OVER
2	HOUSING	1	LCP	UL94V-0, BLACK
1	SHELL	1	SUS T=0.50mm	NICKEL PLATING

GENERAL TOLERANCE X.± .X±0.40 .XX±0.30 .XXX±0.20	ANGLE TOLERANCE X°± .X°± .XX°± .XXX°±	DRAWN MIKE	DATE 8/25/16'	
MATL SEE BOM	FINISH SEE NOTES	CHECKED TERRY	DATE 8/25/16'	
SCALE N/A	UNIT mm	APPROVED DANIEL	DATE 8/25/16'	PART NUMBER: 130-10025-01
SHEET 1 OF 1				DRAWING NO. 130-10025
				SIZE A4 REV. X3