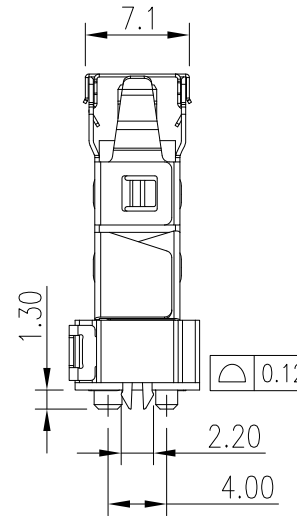
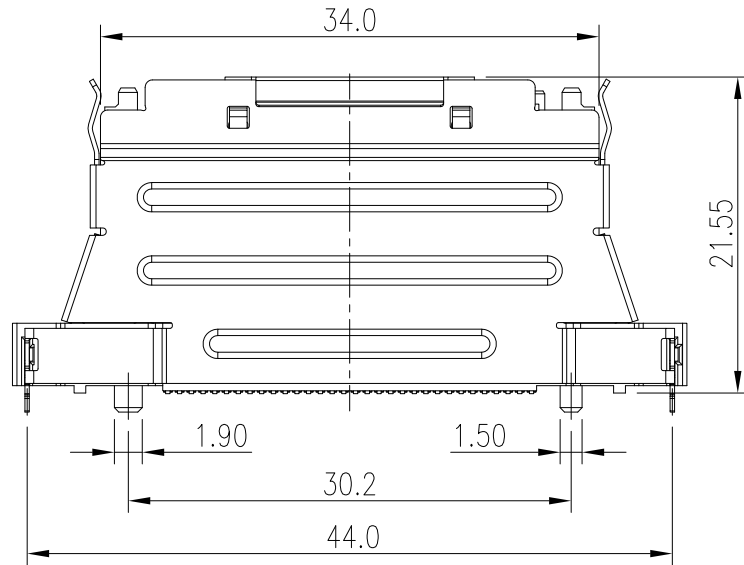
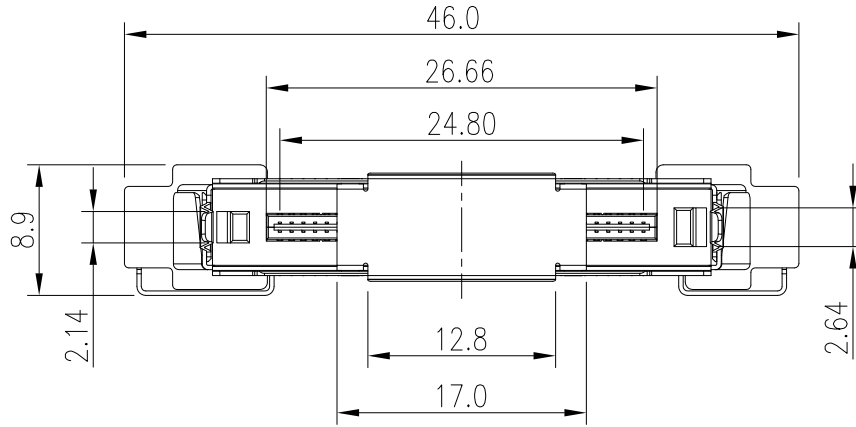


PROPRIETARY INFORMATION
COMPANY CONFIDENTIAL

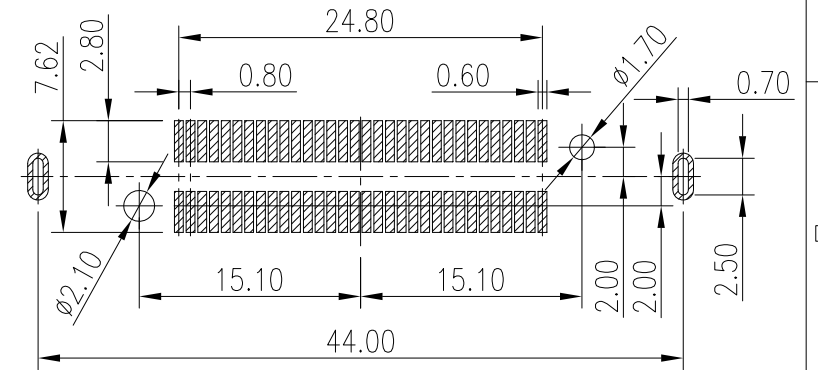
REV.	ECN. NO.	DESCRIPTION	ENG	DATE
X1		INITIAL	Ryan	11/15/2018
X2		ADD NOTE	YIN	2/14/2019



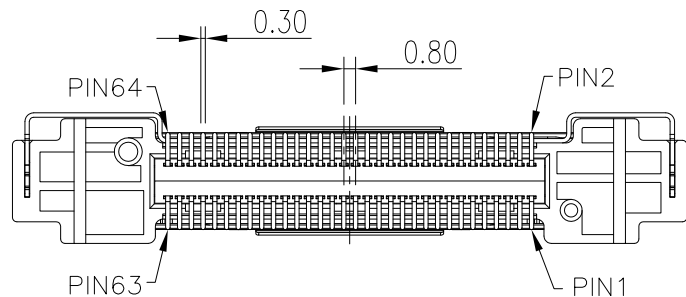
PART. NUMBER
110-10040-01

NOTES :

- MATERIAL
HOUSING: LCP, UL94V-0, BLACK
TERMINAL: BRASS
SHIELD: SPTe
- PLATING:
TERMINAL:
CONTACT AREA: GOLD FLASH PLATING
SOLDER TAIL: 80u" TIN PLATING
UNDER PLATING: 30u" NICKEL OVERALL
- CURRENT RATING: 0.5A
- VOLTAGE RATING: 30V DC Max
- CONTACT RESISTANCE: 50mΩ Max
- DIELECTRIC WITHSTANDING VOLTAGE: 500VAC FOR 1 MINUTE.
- INSULATION RESISTANCE: 100Mohms min.
- 5Gbps min. COMPLIANT.
- DESIGN TO MATE WITH 110-10008.
- TRAY PACKAGING.



RECOMMENDED PCB LAYOUT
TOLERANCE: ±0.05mm



GENERAL TOLERANCE X.± 0.50 .X± 0.40 .XX± 0.30 .XXX± 0.20	ANGLE TOLERANCE X°± 5.0° .X°± 3.0° .XX°± 2.0° .XXX°± 1.0°	DRAWN Ryan	DATE 11/15/18'	
MATL SEE BOM	FINISH SEE NOTES	CHECKED	DATE	
SCALE N/A	UNIT mm	APPROVED	DATE	PART NUMBER: 110-10040-01
SHEET 1 OF 1				DRAWING NO. 110-10040
				SIZE A4
				REV. X2