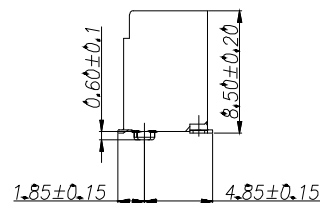
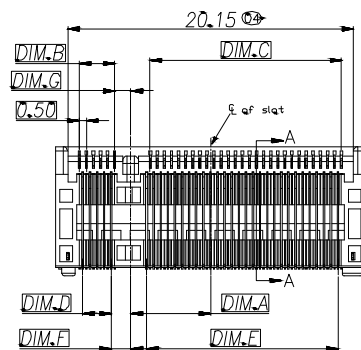
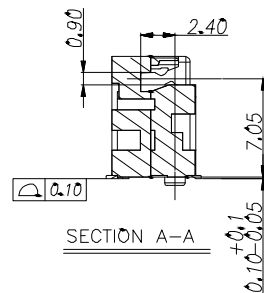
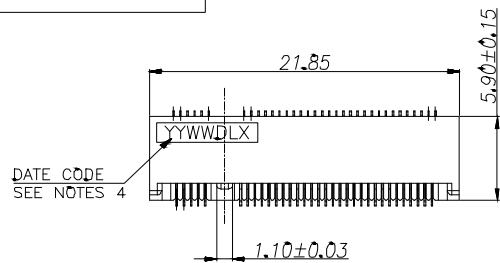


PROPRIETARY INFORMATION
COMPANY CONFIDENTIAL

REV.	ECN. NO.	DESCRIPTION	ENG	DATE
X1		INITIAL	Hunter	02/24/17
X2		UPDATE THE DRAWING	Ethan	09/04/17
X3		UPDATE THE DRAWING	TERRY	09/10/19
X4		ADD NOTES	TERRY	02/03/20
X5		ADD IR RELFOW PROFILE	AXL	03/04/20



NOTES:

RATINGS:

CURRENT RATING: 0.5Amperes PER CONTACT

VOLTAGE RATING: 50V AC rms.

OPERATING TEMPERATURE: -40°C~80°C

DATE CODE : YYWWDLX

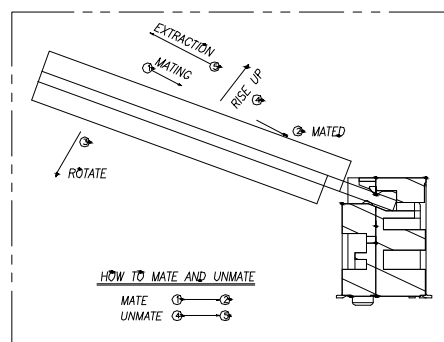
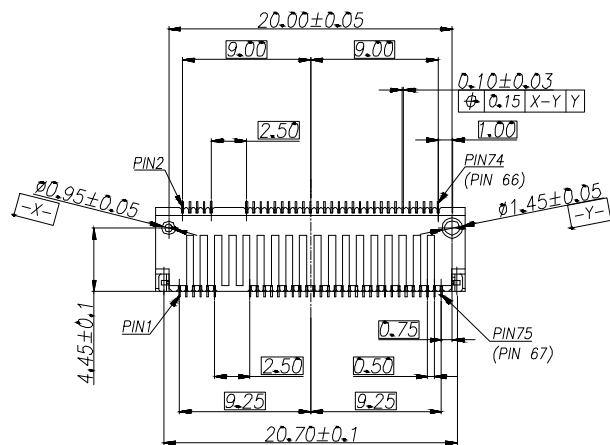
YY: YEAR (09: 2009)

WW: WEEK (25: THE 25TH WEEK)

D: DAY (1~7: SUNDAY~SATURDAY)

L: LINE NUMBER OF ASSEMBLY (A: LINE A)

X: D OR N (D: DAY; N: NIGHT)

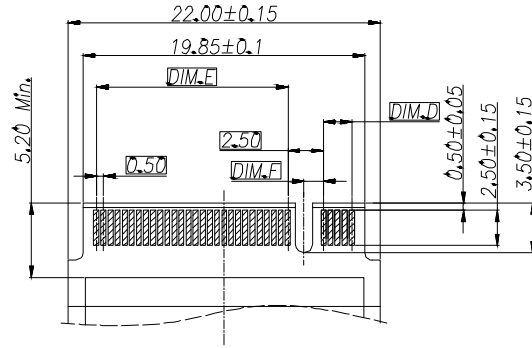


KEY	M	L	K	J	H	G	F	E	D	C	B	A	KEY NAME	DIM.A	DIM.B	DIM.C	DIM.D	DIM.E	DIM.F	DIM.G
KEY M	-6.125	14.0	2.0	14.0	1.5	1.125	1.375													
KEY L	-5.125	13.0	3.0	13.0	2.5	1.125	1.375													
KEY K	-4.125	12.0	4.0	12.0	3.5	1.125	1.375													
KEY J	-3.125	11.0	5.0	11.0	4.5	1.125	1.375													
KEY H	-2.125	10.0	6.0	10.0	5.5	1.125	1.375													
KEY G	-1.125	9.0	7.0	9.0	6.5	1.125	1.375													
KEY F	1.625	6.5	9.5	6.0	9.5	1.375	1.125													
KEY E	2.625	5.5	10.5	5.0	10.5	1.375	1.125													
KEY D	3.625	4.5	11.5	4.0	11.5	1.375	1.125													
KEY C	4.625	3.5	12.5	3.0	12.5	1.375	1.125													
KEY B	5.625	2.5	13.5	2.0	13.5	1.375	1.125													
KEY A	6.625	1.5	14.5	1.0	14.5	1.375	1.125													
KEY NAME		DIM.A	DIM.B	DIM.C	DIM.D	DIM.E	DIM.F	DIM.G												

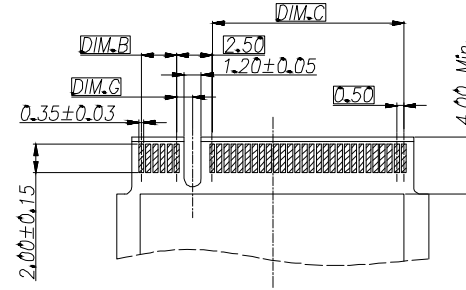
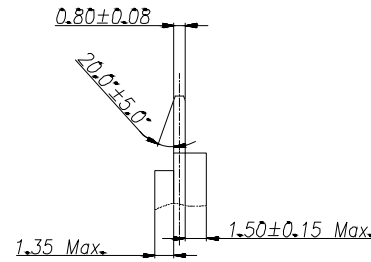
GENERAL TOLERANCE	ANGLE TOLERANCE	DRAWN	DATE	genesis connectors solutions	
.X ±0.38 .XX ±0.25	±2°	Ethan	09/04/17	TITLE: M.2(NGFF) CONNECTOR B KEY 8.5H	
MATL SEE BOM		CHECKED	DATE	PART NUMBER: 106-10014-01	
FINISH SEE NOTES		APPROVED	DATE	DRAWING NO. 106-10014	
SCALE 1 : 1	UNIT mm			SIZE A4 REV.X5	
SHEET 1 OF 2					

ITEM	NAME	Q'TY	DESCRIPTION	NOTE
3	SOLDER NAILS	2	BRASS, NICKEL(50u" MIN.) UNDER PLATING OVERALL; TIN(80u" MIN.)PLATING OVERALL	
2	CONTACT	67	PHOSPHOR BRONZE, NICKEL UNDER PLATING OVERALL, TIN(80u" MIN.)PLATING ON SOLDER AREA ;GOLD FLASH PLATING ON CONTACT AREA	
1	HOUSING	1	LCP, BLACK	UL94V-0

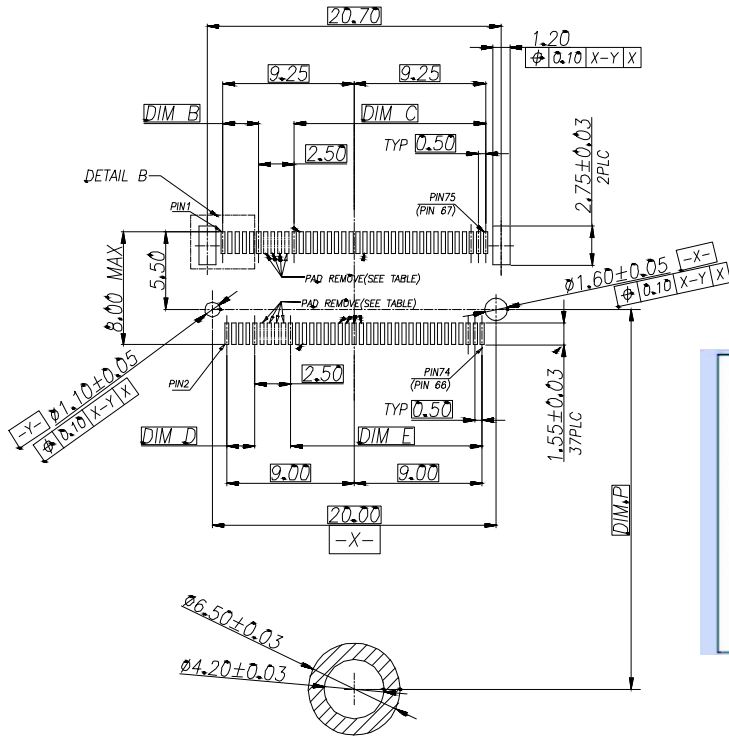
PLUG PCB



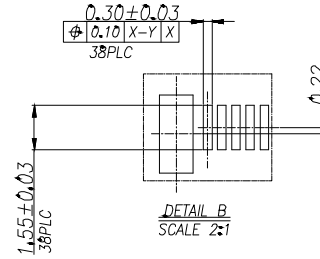
BOTTOM SIDE



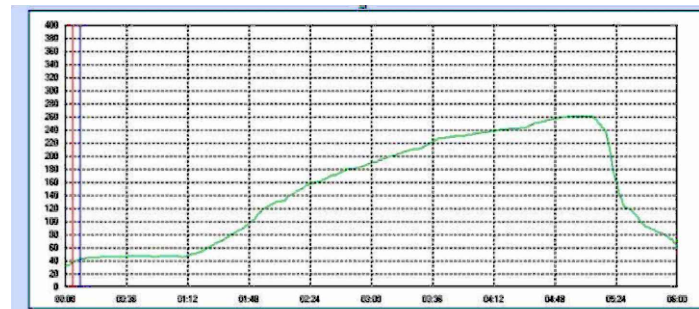
TOP SIDE



RECOMMENDED PCB LAYOUT



22110	107.60
2280	77.60
2260	57.60
2242	39.60
2230	27.60
3042	39.60
3030	27.60
MODULE TYPE	DIM.P



RECOMMEND IR REFLOW PROFILE

KEY ID	PAD REMOVED	DIM.A	DIM.B	DIM.C	DIM.D	DIM.E	DIM.F	DIM.G
M	PIN 59-66	-6.125	14.0	2.0	14.0	1.5	1.125	1.375
L	PIN 55-62	-5.125	13.0	3.0	13.0	2.5	1.125	1.375
K	PIN 51-58	-4.125	12.0	4.0	12.0	3.5	1.125	1.375
J	PIN 47-54	-3.125	11.0	5.0	11.0	4.5	1.125	1.375
H	PIN 43-50	-2.125	10.0	6.0	10.0	5.5	1.125	1.375
G	PIN 39-46	-1.125	9.0	7.0	9.0	6.5	1.125	1.375
F	PIN 28-35	1.625	6.5	9.5	6.0	9.5	1.375	1.125
E	PIN 24-31	2.625	5.5	10.5	5.0	10.5	1.375	1.125
D	PIN 20-27	3.625	4.5	11.5	4.0	11.5	1.375	1.125
C	PIN 16-23	4.625	3.5	12.5	3.0	12.5	1.375	1.125
B	PIN 12-19	5.625	2.5	13.5	2.0	13.5	1.375	1.125
A	PIN 8-15	6.625	1.5	14.5	1.0	14.5	1.375	1.125

GENERAL TOLERANCE .X ±0.38 .XX ±0.25	ANGLE TOLERANCE ±2°	DRAWN Ethan	DATE 09/04/17'		TITLE M.2(NGFF) CONNECTOR B KEY 8.5H
MATL SEE BOM	FINISH SEE NOTES	CHECKED	DATE		PART NUMBER 106-10014-01
SCALE 1 : 1	UNIT mm	APPROVED	DATE	DRAWING NO. 106-10014	SIZE A4 REV.X5
SHEET 2 OF 2					