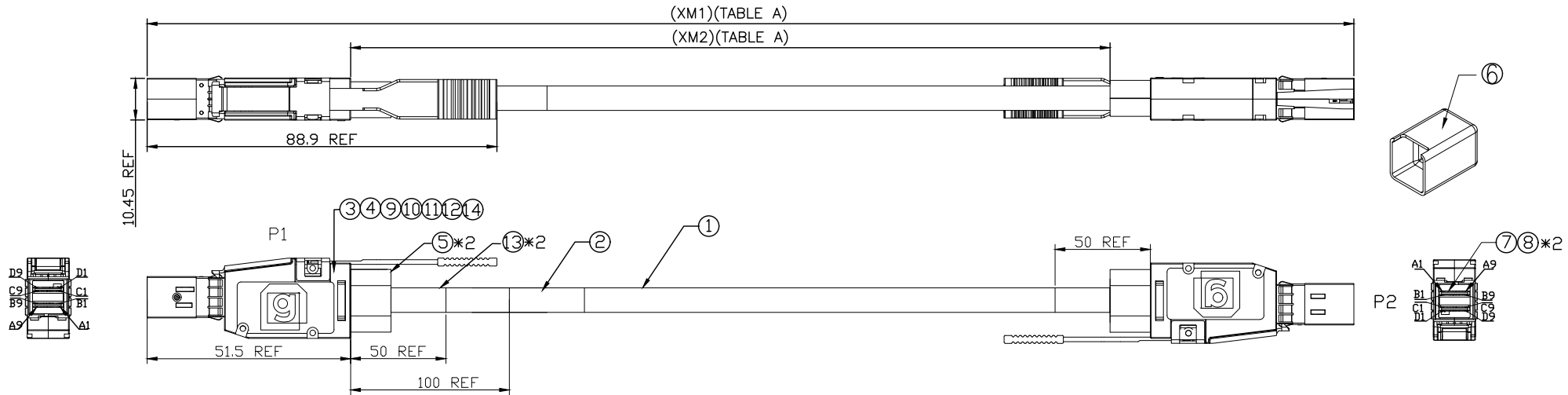


PROPRIETARY INFORMATION
COMPANY CONFIDENTIAL

REV.	ECN. NO.	DESCRIPTION	ENG	DATE
X1		INITIAL	KYLE	10/29/2018
X2		UPDATE TABLE A	KYLE	11/21/2018
X3		UPDATE BEND RADIUS CHART & BOM	KYLE	12/3/2018
X4		UPDATE TABLE A	KYLE	2/14/2019
X5		MODIFY TABLE A WIRE GAUGES	KYLE	6/17/2019



14	EEPROM	2	EEPROM, 2K 24C02	
13	HEATSHRINK	A/R	HEATSHRINK, TUBING	
12	EMI SPRING	2	EMI SPRING FOR SFF-8644	
11	PULL TAB	2	PULL TAB FOR SFF-8644	
10	RIVET	6	RIVET FOR SFF-8644	
9	LATCH	2	LATCH FOR SFF-8644	
8	PCB	2	EXT MINI SAS HD PCB A,B	
7	PCB	2	EXT MINI SAS HD PCB C,D	
6	DUST COVER	2	DUST COVER FOR SFF-8644, PE, NATUAL	
5	STRAIN RELIEF	2	CABLE SR FOR EXT HD-SAS, BLACK.	
4	INNER MOLD	2	INNER MOLDING FOR EXT HD-SAS,	
3	SHELL	2	TOP, BOTTOM SHELL FOR SFF-8644	
2	LABEL	1	ID LABEL, 60*30MM	
1	RAW CABLE	A/R	8P CABLE, BLACK, SEE TABLE A	
ITEM	NAME	QTY	DESCRIPTION	NOTE

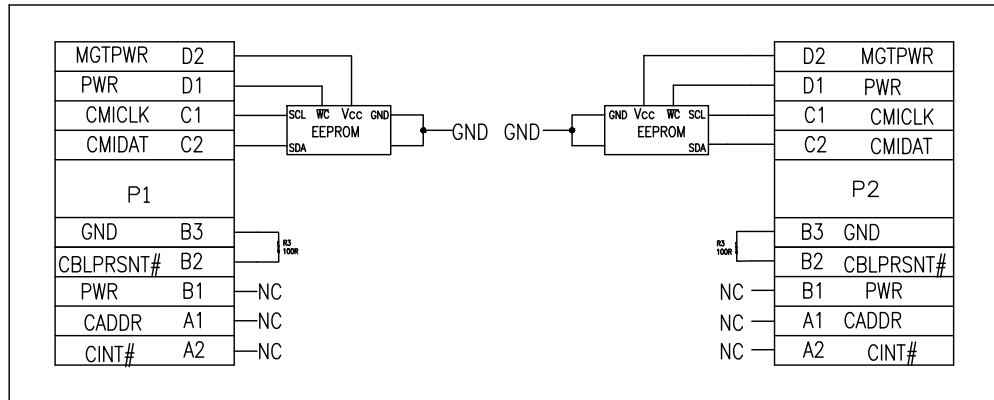
MATERIAL RoHS COMPLIANT:

- CABLE :
CONDUCTOR: SOLID SILVER PLATED COPPER
INSULATION: Skin-Foam-Skin
DRAIN WIRE: TINNED COPPER
PAIR SHIELD: HOT MELT ALUMINUM MYLAR
- LEFT /RIGHT SHELL: ZINC ALLOY NICKEL PLATED
- THIS PRODUCT CONFORMS TO THE MECHANICAL DIMENSIONING REQUIREMENTS OF SFF-8644
- STRUCTURE DIMENSION ACCORDING TO SFF-8644

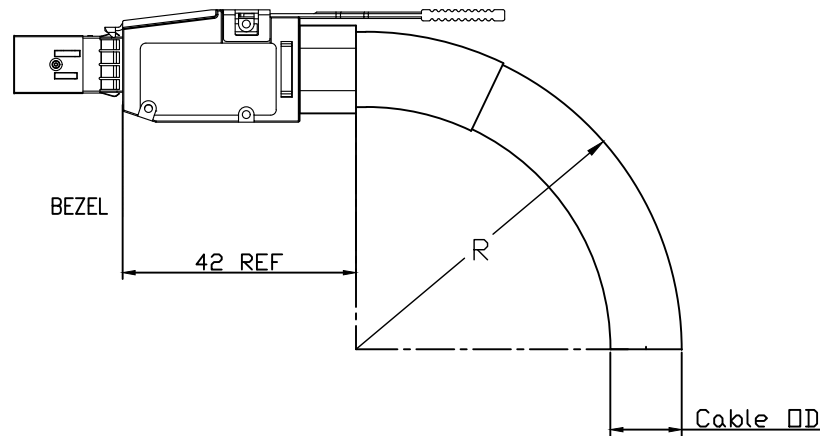
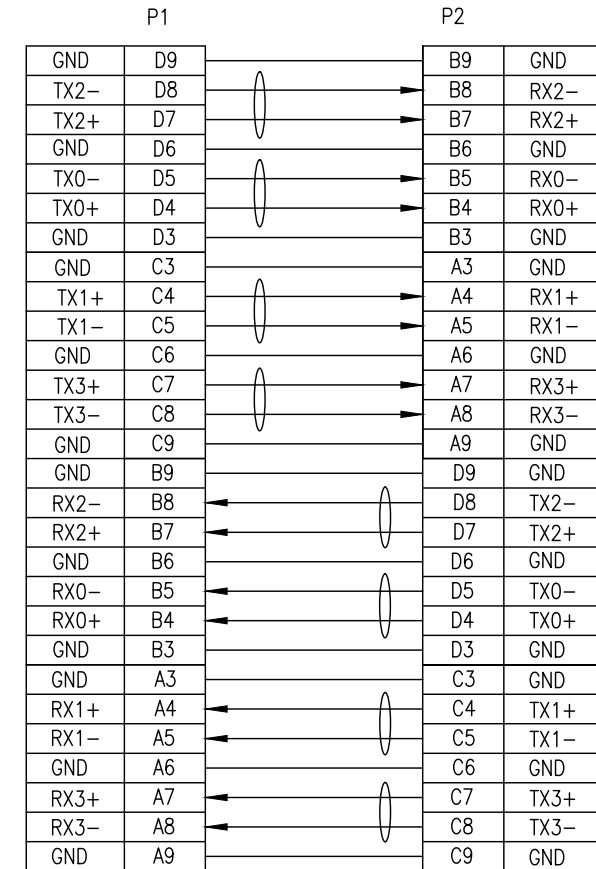
RoHS Compliant

GENERAL TOLERANCE X.± 0.50 .X± 0.20 .XX± 0.10 .XXX± 0.05	ANGLE TOLERANCE X°± 5.0° .X°± 3.0° .XX°± 2.0° .XXX°± 1.0°	DRAWN KYLE	DATE 2/14/2019	
MATERIAL SEE BOM		CHECKED	DATE	
FINISH SEE NOTES		APPROVED		PART NUMBER 320-10208-XX
SCALE N/A	UNIT mm	DATE		DRAWING NO. 320-10208
SHEET 1 OF 3				SIZE A4 REV. X5

LOW SPEED CONTROL



WIRING TABLE HIGH SPEED SIGNAL LANES

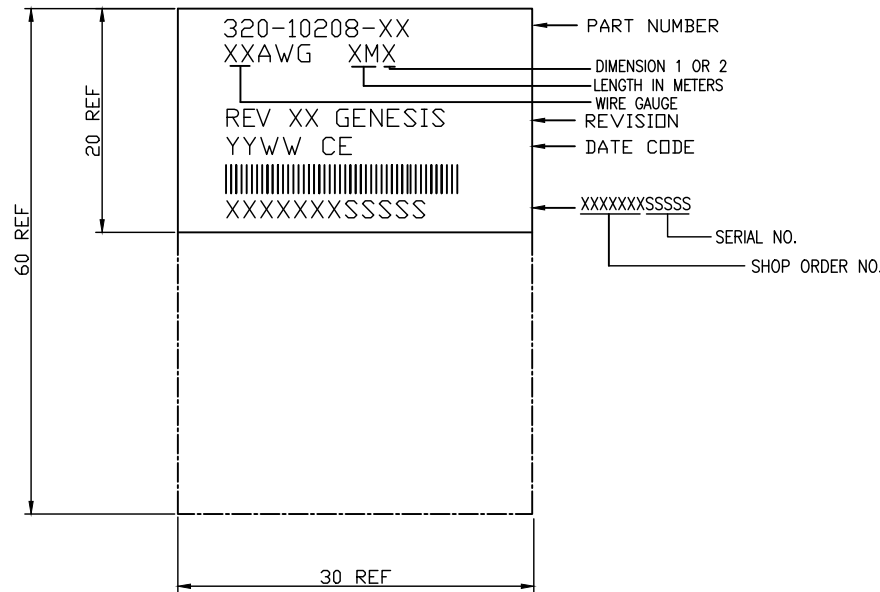


CABLE GAUGE	CABLE "OD"	STATIC BEND RADIUS "R"	DYNAMIC BEND RADIUS "R"
30AWG	6.6MM	33.0MM	66MM
28AWG	7.4MM	37.0MM	74MM
26AWG	8.4MM	42.0MM	84MM

RoHS Compliant

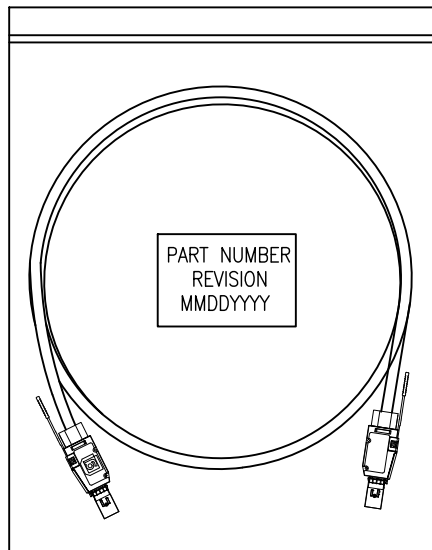
GENERAL TOLERANCE X.± 0.50 .X± 0.20 .XX± 0.10 .XXX± 0.05	ANGLE TOLERANCE X°± 5.0° .X°± 3.0° .XX°± 2.0° .XXX°± 1.0°	DRAWN KYLE	DATE 2/14/2019	
MATERIAL SEE BOM		CHECKED	DATE	
FINISH SEE NOTES		APPROVED		PART NUMBER 320-10208-XX
SCALE N/A	UNIT mm	DATE		DRAWING NO. 320-10208
SHEET 2 OF 3				SIZE A4 REV. X5

LABEL INFORMATION



PART NUMBER	WIRE TYPE	xx AWG	XM1 LENGTH	XM2 LENGTH
320-10208-01	LSZH	30	500±20	
320-10208-02	LSZH	30	1000±30	
320-10208-03	LSZH	30	2000±30	
320-10208-04	LSZH	30	3000±40	
320-10208-05	LSZH	28	4000±40	
320-10208-06	LSZH	28	5000±50	
320-10208-07	LSZH	26	6000±50	
320-10208-08				
320-10208-09	PVC	30	500±20	
320-10208-10	PVC	30	1000±30	
320-10208-11	PVC	30	2000±30	
320-10208-12	PVC	30	3000±40	
320-10208-13	PVC	28	4000±40	
320-10208-14	PVC	28	5000±50	
320-10208-15	PVC	26	6000±50	
320-10208-16				
320-10208-17	LSZH	30		500±20
320-10208-18	LSZH	30		1000±30
320-10208-19	LSZH	30		2000±30
320-10208-20	LSZH	30		3000±40
320-10208-21	LSZH	28		4000±40
320-10208-22	LSZH	28		5000±50
320-10208-23	LSZH	26		6000±50
320-10208-24				
320-10208-25	PVC	30		500±20
320-10208-26	PVC	30		1000±30
320-10208-27	PVC	30		2000±30
320-10208-28	PVC	30		3000±40
320-10208-29	PVC	28		4000±40
320-10208-30	PVC	28		5000±50
320-10208-31	PVC	26		6000±50
320-10208-32				

PACKAGING:



RoHS Compliant

GENERAL TOLERANCE X ± 0.50 .X ± 0.20 .XX ± 0.10 .XXX ± 0.05	ANGLE TOLERANCE X° ± 5.0° .X° ± 3.0° .XX° ± 2.0° .XXX° ± 1.0°	DRAWN KYLE	DATE 2/14/2019		TITLE MINISAS HD 4X ASSEMBLY, SAS4, 100DHM WITHOUT CMI
MATL SEE BOM	FINISH SEE NOTES	CHECKED	DATE		PART NUMBER 320-10208-XX
SCALE N/A	UNIT mm	APPROVED	DATE	DRAWING NO. 320-10208	SIZE A4 REV. X5
SHEET 3 OF 3					