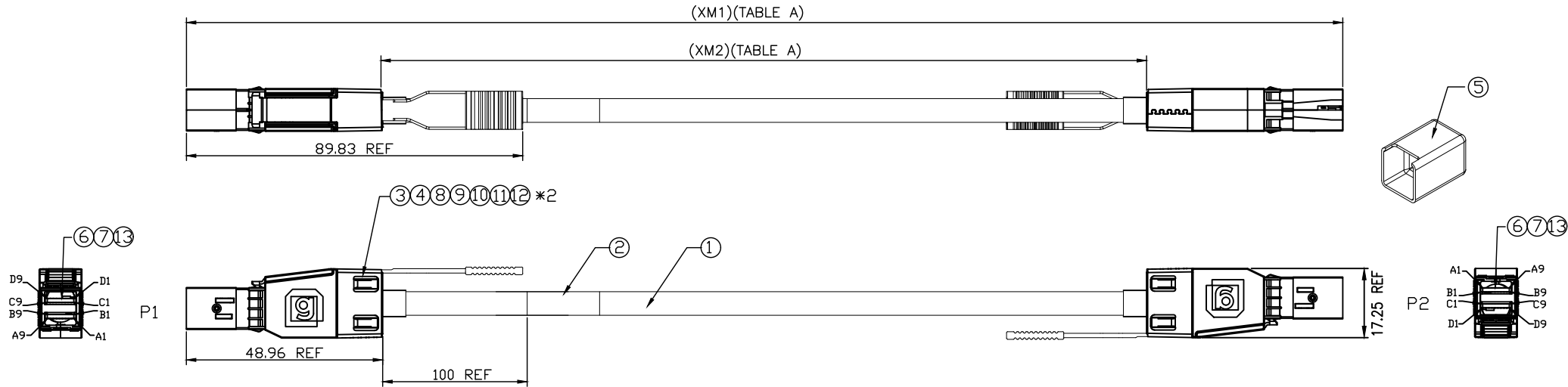


REV.	ECN. NO.	DESCRIPTION	ENG	DATE
X1		INITIAL	KYLE	1/7/2019
X2		ADD 4M LENGTH	KYLE	3/7/2019
X3		UPDATE WIRE GAUGES	KYLE	3/26/2019



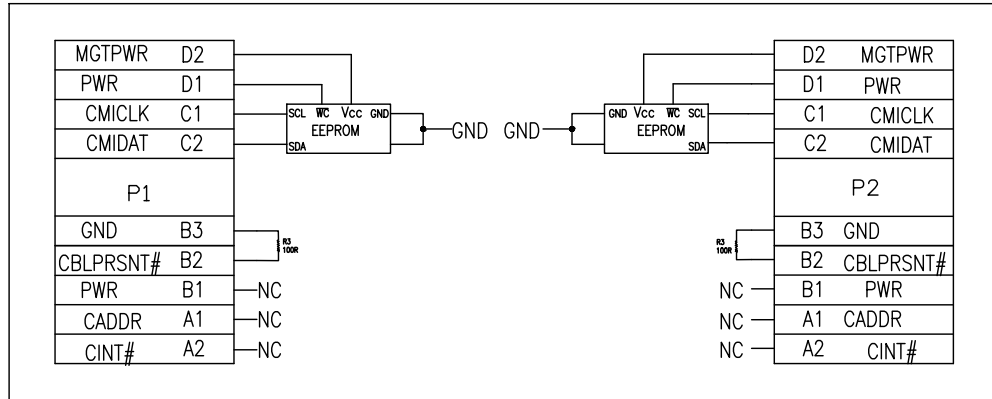
- MATERIAL RoHS COMPLIANT:
- CABLE :  
 CONDUCTOR: SOLID SILVER PLATED COPPER  
 INSULATION: Skin-Foam-Skin  
 DRAIN WIRE: TINNED COPPER  
 PAIR SHIELD: HOT MELT ALUMINUM MYLAR
  - LEFT /RIGHT SHELL: ZINC ALLOY NICKEL PLATED
  - THIS PRODUCT CONFORMS TO THE MECHANICAL DIMENSIONING REQUIREMENTS OF SFF-8644
  - STRUCTURE DIMENSION ACCORDING TO SFF-8644

RoHS Compliant

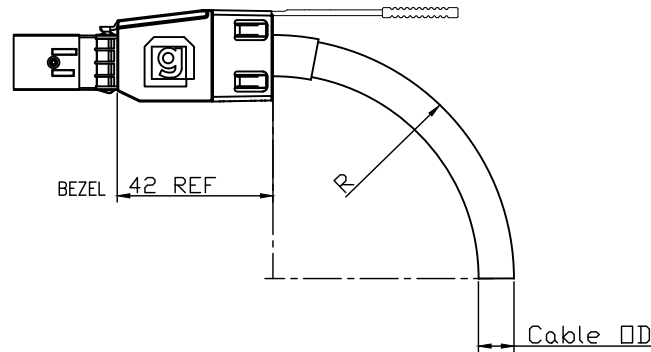
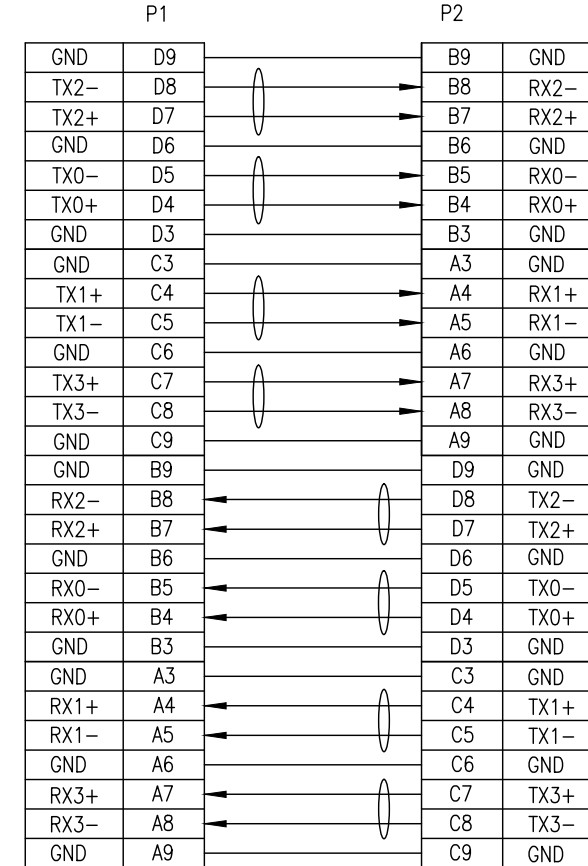
13	EEPROM	2	EEPROM, 2K, 24C02	
12	HEATSHRINK	A/R	HEATSHRINK, TUBING	
11	EMI SPRING	2	EMI SPRING FOR SFF-8644	
10	PULL TAB	2	PULL TAB FOR SFF-8644	
9	SHELL CLIP	2	SHELL CLIP FOR SFF-8644	
8	LATCH	2	LATCH FOR SFF-8644	
7	PCB	2	EXT MINI SAS HD PCB A,B	
6	PCB	2	EXT MINI SAS HD PCB C,D	
5	DUST COVER	2	DUST COVER FOR SFF-8644, PE, NATURAL	
4	INNER MOLD	2	INNER MOLDING FOR EXT HD-SAS,	
3	SHELL	2	TOP, BOTTOM, LOW PROFILE SHELL FOR SFF-8644	
2	LABEL	1	ID LABEL, 60*30MM	
1	RAW CABLE	A/R	8P AWG CABLE, BLACK, SEE TABLE A	
ITEM	NAME	QTY	DESCRIPTION	NOTE

GENERAL TOLERANCE X± 0.50 .X± 0.20 .XX± 0.10 .XXX± 0.05	ANGLE TOLERANCE X°± 5.0° .X°± 3.0° .XX°± 2.0° .XXX°± 1.0°	DRAWN KYLE	DATE 3/7/2019	
MATERIAL: SEE BOM		CHECKED	DATE	
FINISH: SEE NOTES		APPROVED	DATE	PART NUMBER: 320-10273-XX
SCALE: N/A	UNIT: mm	SHEET 1 OF 3		DRAWING NO. 320-10273
				SIZE: A4 REV: X3

### LOW SPEED CONTROL



### WIRING TABLE HIGH SPEED SIGNAL LANES

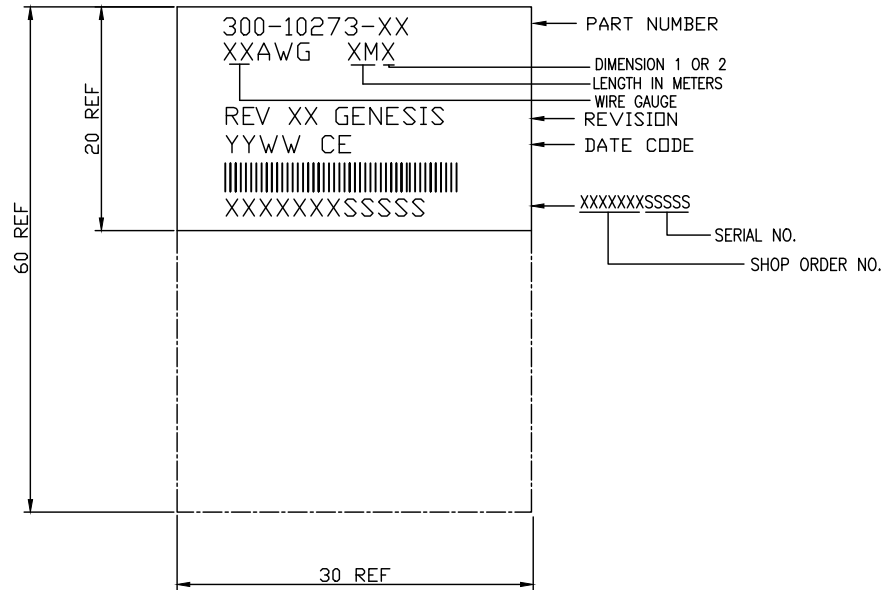


CABLE GAUGE	CABLE "OD"	STATIC BEND RADIUS "R"	DYNAMIC BEND RADIUS "R"
30AWG	6.6MM	33.0MM	66MM
28AWG	7.4MM	37.0MM	74MM
26AWG	8.4MM	42.0MM	84MM

RoHS Compliant

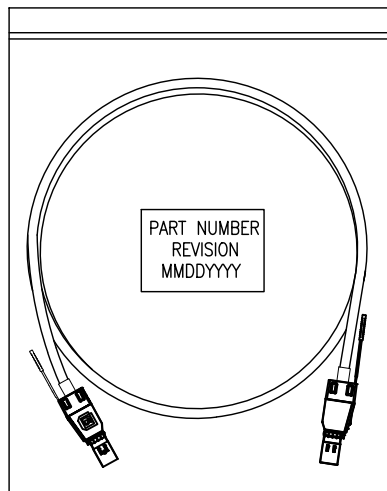
GENERAL TOLERANCE X.± 0.50 .X± 0.20 .XX± 0.10 .XXX± 0.05	ANGLE TOLERANCE X°± 5.0° .X°± 3.0° .XX°± 2.0° .XXX°± 1.0°	DRAWN KYLE	DATE 3/7/2019		
MATERIAL SEE BOM		CHECKED	DATE		TITLE MINISAS HD 4X ASSEMBLY, SAS4, 100 OHM, DUAL EEPROM, LOW PROFILE PLUG
FINISH SEE NOTES		APPROVED		DATE	PART NUMBER 320-10273-XX
SCALE N/A	UNIT mm	SHEET 2 OF 3		DRAWING NO. 320-10273	SIZE A4 REV X3

# LABEL INFORMATION



PART NUMBER	WIRE TYPE	xx AWG	XM1 LENGTH	XM2 LENGTH
320-10273-01	PVC	30	500±20	
320-10273-02	PVC	30	1000±30	
320-10273-03	PVC	30	2000±30	
320-10273-04	PVC	28	3000±40	
320-10273-05	LSZH	30	500±20	
320-10273-06	LSZH	30	1000±30	
320-10273-07	LSZH	30	2000±30	
320-10273-08	LSZH	28	3000±40	
320-10273-09	PVC	30		500±20
320-10273-10	PVC	30		1000±30
320-10273-11	PVC	30		2000±30
320-10273-12	PVC	28		3000±40
320-10273-13	LSZH	30		500±20
320-10273-14	LSZH	30		1000±30
320-10273-15	LSZH	30		2000±30
320-10273-16	LSZH	28		3000±40
320-10273-17	PVC	28	4000±40	
320-10273-18	LSZH	28	4000±40	
320-10273-19	PVC	28		4000±40
320-10273-20	LSZH	28		4000±40
320-10273-21	PVC	26	5000±40	
320-10273-22	LSZH	26	5000±40	
320-10273-23	PVC	26		5000±40
320-10273-24	LSZH	26		5000±40

## PACKAGING:



RoHS Compliant

GENERAL TOLERANCE X.± 0.50 .X± 0.20 .XX± 0.10 .XXX± 0.05	ANGLE TOLERANCE X°± 5.0° .X°± 3.0° .XX°± 2.0° .XXX°± 1.0°	DRAWN KYLE	DATE 3/7/2019	
MATERIAL FINISH SEE BOM SEE NOTES		CHECKED	DATE	
SCALE N/A	UNIT mm	APPROVED	DATE	PART NUMBER 320-10273-XX
SHEET 3 OF 3				DRAWING NO. 320-10273
				SIZE A4
				REV. X3