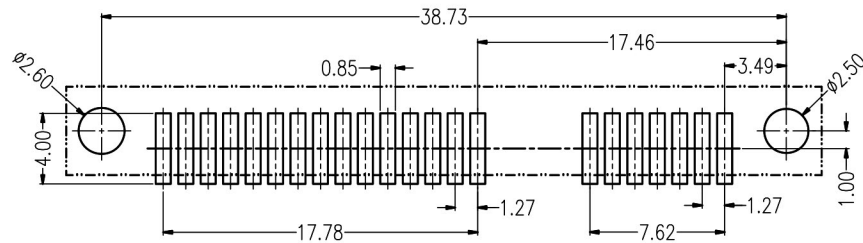
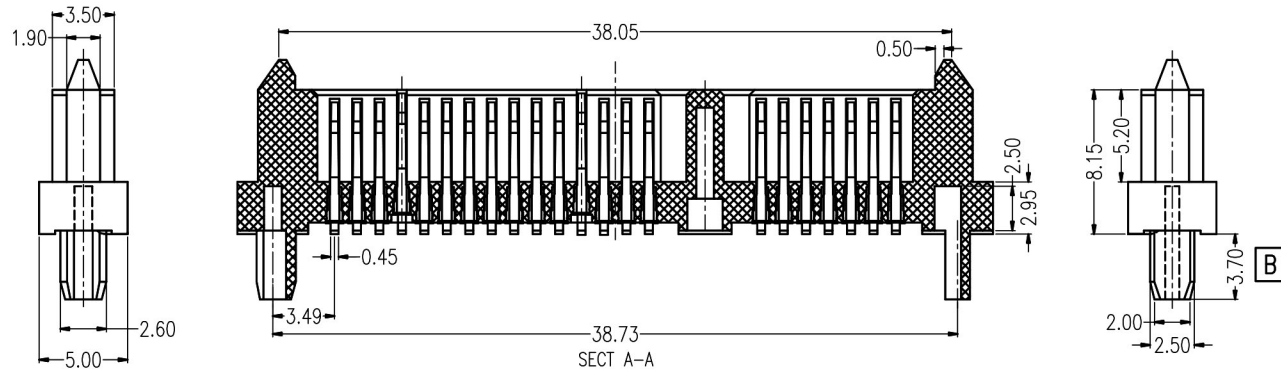
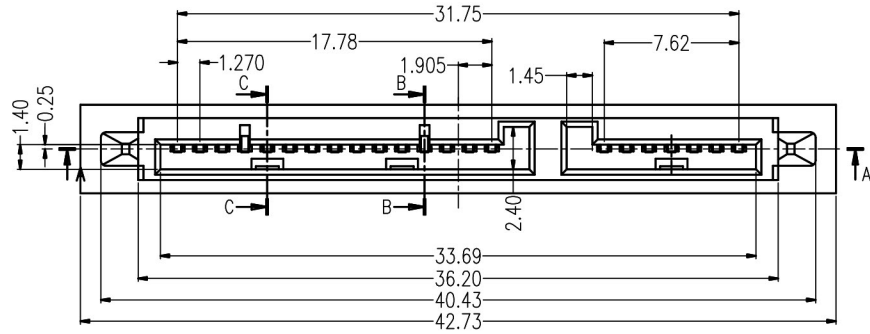


PROPRIETARY INFORMATION  
COMPANY CONFIDENTIAL

REV	ECN. NO.	DESCRIPTION	ENG	DATE
A		INITIAL	Knight	09/11/14'
B		ADD DIMENSION	Knight	10/08/14'



NOTES:

- OPERATION VOLTAGE: 100VAC max.
- CURRENT RATING: 1.5 AMPERE PER CONTACT
- CONTACT RESISTANCE: 30 MILLIOHMS max.
- INSULATION RESISTANCE: 1000 MEGOHMS min.
- DIELECTRIC WITHSTANDING VOLTAGE: 500 VAC
- OPERATING TEMPERATURE: -55°C to + 125°C

ORDER INFORMATION:

SATV-2022-B K 5 0 T  
① ② ③ ④ ⑤ ⑥ ⑦

1. TYPE:

SATV-20:SATA 7+15P REVERSE SMT TYPE

2. POSTIONS:

22: 22POSITIONS

3. INSULATOR MATERIAL

B: LCP

4. INSULATOR COLOR

K:BLACK

5. CONTACT PLATING

5: Au 15u"

6. SHIELD PLATING

0:NO SHIELD

7. PACKING

T:TRAY

GENERAL TOLERANCE X ± 0.50 .X ± 0.38 .XX ± 0.25 .XXX ± 0.20	ANGLE TOLERANCE X° ± 5.0° .X° ± 3.0° .XX° ± 2.0° .XXX° ± 1.0°	DRAWN <i>knighe</i>	DATE 10/08/14'	
MATL SEE BOM	FINISH SEE NOTES	CHECKED	DATE	
SCALE N/A	UNIT mm	APPROVED <i>River</i>	DATE 10/08/14'	PART NUMBER SATV-2022-BK50T
SHEET 1 OF 1				DRAWING NO. GT23-210210
				SIZE A4 REV. B

ITEM	NAME	Q'TY	DESCRIPTION
2	CANTACT	22	PHOSPHOR BRONZE, Au 15u" PLATING ON CONTACT AREA, TIN 100u" MIN PLATING ON SOLDER AREA, NICKEL 40u" MIN UNDER PLATING OVERALL.
1	HOUSING	1	LCP

NOTE
BLACK, UL94 V-0