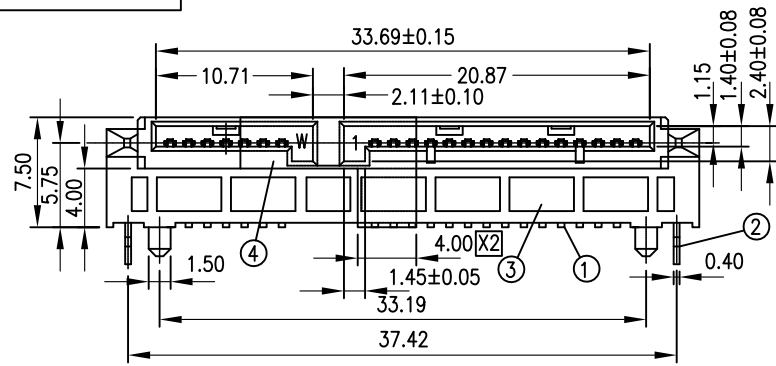


PROPRIETARY INFORMATION
COMPANY CONFIDENTIAL

REV.	ECN. NO.	DESCRIPTION	ENG	DATE
X1		INITIAL	AXL	10/15/2014
X2		EDIT CAP DIMENSION	AXL	10/27/2014



Signal Segment	
Name	Type
S1	GND
S2	A+
S3	A-
S4	GND
S5	B-
S6	B+
S7	GND

Power Segment	
Name	Type
P1	V33
P2	V33
P3	V33
P4	GND
P5	GND
P6	GND
P7	V5
P8	V5
P9	V5
P10	GND
P11	DAS/DSS
P12	GND
P13	V12
P14	V12
P15	V12

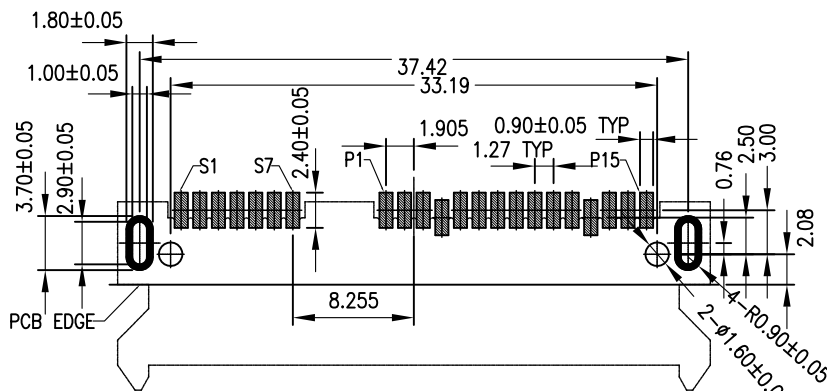
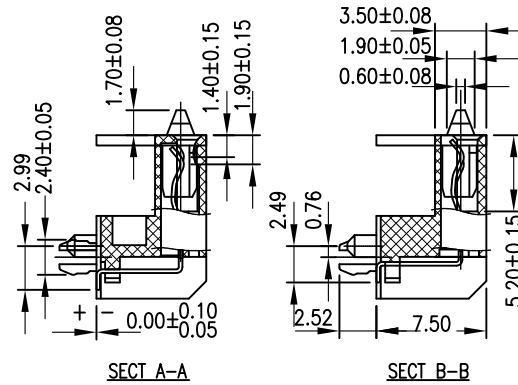
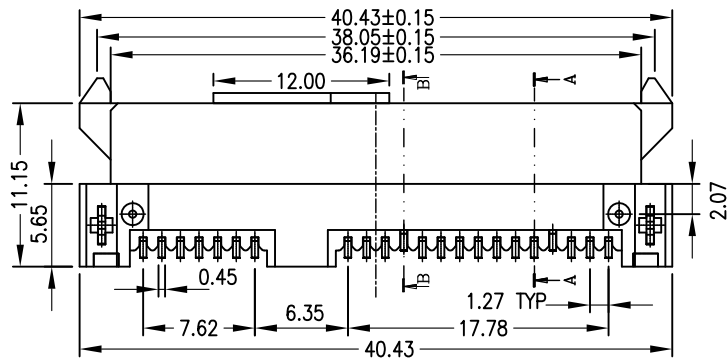
NOTES:

- Insertion Force: 45N max.
- Withdrawal Force: 10N min.
- Durability: 500 cycles
- Current Rating: 1.5 Ampere per contact
- Contact Resistance: 30mΩ Max.
- Insulation Resistance: 1000MΩ Min.
- Dielectric Withstanding Voltage: 500 V AC
- RoHS Compliance

ORDER INFORMATION:

SATR-4C 22 B K 5 0 R
① ② ③ ④ ⑤ ⑥ ⑦

1. CONNECTOR:
SATR-4C :SATA 7+15PIN
2. POSITIONS:
22: 22 POSITIONS
3. INSULATOR MATERIAL:
B: LCP+50%GF
4. INSULATOR COLOR:
K: BLACK
5. CONTACT PLATING:
5: GOLD 15u" PLATING ON CONTACT AREA
6. SHIELD PLATING:
0 : WITHOUT SHIELD
7. PACKING
R: TAPE AND REEL



P.C.B LAYOUT (T=1.0/1.2/1.6mm)
TOL.=±0.05mm COMPONENT SIDE

ITEM	NAME	Q'TY	DESCRIPTION	NOTE
4	CAP	1	LCP+50%GF, UL 94V-0, BLACK	
3	HOUSING	1	LCP+50%GF, UL 94V-0, BLACK	
2	Board Lock	2	BRASS, NICKEL(30u" MIN.) UNDER PLATING OVERALL TIN(80u" MIN.) PLATING ON SOLDER AREA	
1	CONTACT	22	PHOSPHOR BRONZE, GOLD PLATING ON CONTACT AREA and Tin 80u" MIN. PLATING ON SOLDER AREA both over Ni 30u"MIN.UNDER PLATING OVERALL	

GENERAL TOLERANCE	ANGLE TOLERANCE	DRAWN	DATE	
X.±	X'±	AXL	10/15/14'	
.X±0.35	.X'±	DESIGN	DATE	TITLE: SATA 7+15 PIN FEMALE CONN. R/A, 4.0mm STAND-OFF, SMT
.XX±0.25	.XX'±	CHECKED	DATE	PART NUMBER: SATR-4C22BK50R
.XXX±0.15	.XXX'±	APPROVED	DATE	DRAWING NO. GT23-300362
MATL SEE BOM	FINISH SEE NOTES	SCALE N/A	UNIT mm	SIZE A4 REV. X2
SHEET 1 OF 1				