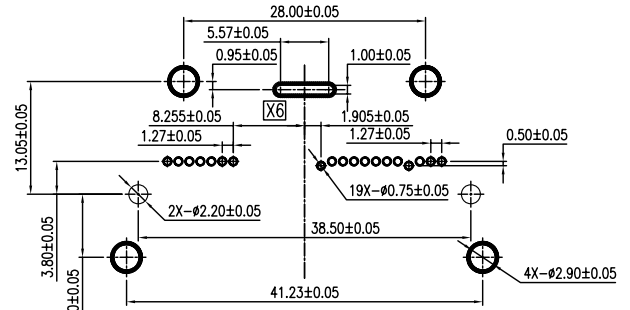
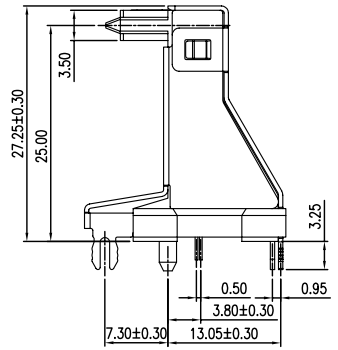
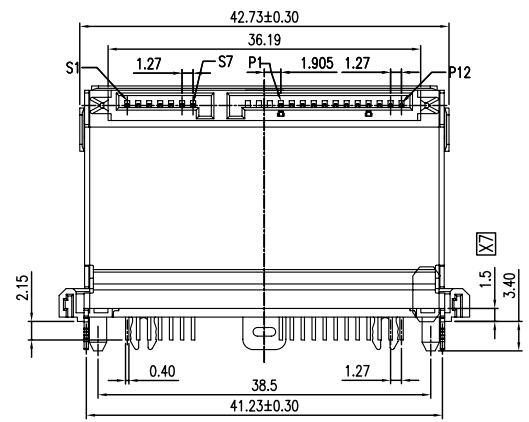
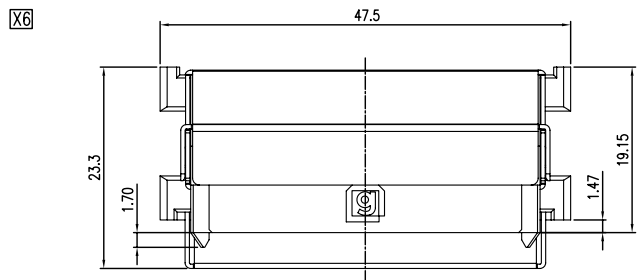
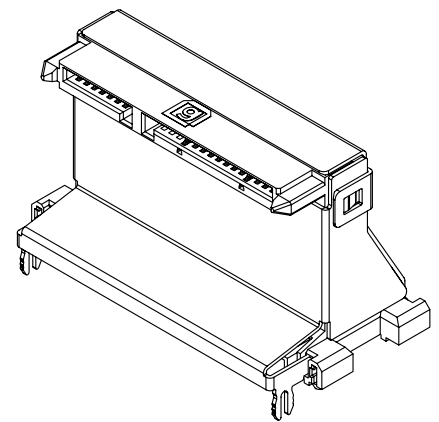


REV.	ECN. NO.	DESCRIPTION	ENG	DATE
X1		ISSUED	TERRY	01/13/11'
X2		MODIFY SHIELD MATERIAL AND PLATING	TERRY	03/14/12'
X3		MODIFY DWG	TERRY	06/29/12'
X4		MODIFY SHIELD	TERRY	07/24/12'
X5		MODIFY DWG	TERRY	09/12/12'
X6		ADD GROUND PIN	TERRY	09/20/12'
X7		MODIFY SHIELD	PAT	10/17/12'
X8		ADD PLATING EXPLANATION	PAT	01/18/13'
X9		ADD NOTES 6 AND REVISE NOTES 3 AND 5	PAT	02/20/13'



RECOMMENDED P.C.B MOUNTING DIMENSIONS



- NOTES:
- Material:
Housing: UL 94V-0 rated;
Contact: Phosphor Bronze
 - Mechanical:
Insertion Force: 20N max.
Withdrawal Force: 4N min.
Durability: 500 cycles
 - Electrical Specification:
Operation Voltage: 100 VAC max.
Current Rating: 1.5 Ampere per contact.
Contact Resistance: 30 Milliohms max. per test setup Genesis GTI-Q-SOP0006.
Insulation Resistance: 1000 Megohms min.
Dielectric Withstanding Voltage: 500 VAC.
 - Environmental:
Operating Temperature: -40°C to +85°C
 - RoHS 6/6 Compliant
 - Meets SATA 2.6 compliant

PART. NUMBER
SATR-40 22 - B K X 3 I 01
① ② ③④⑤⑥⑦

- CONNECTOR:
SATR-40: FEMALE, 7+15PIN, HIGH PROFILE
- POSITION:
22: 22 POSITIONS
- INSULATOR MATERIAL:
B: LCP, 94V-0
- INSULATOR COLOR:
K: BLACK
- CONTACT PLATING:
1: GOLD FLASH
5: 15U" GOLD
6: 30U" GOLD
- SHIELD PLATING
3: NICKEL PLATING
- PACKING
T: TRAY

GENERAL TOLERANCE X.±0.50 .X±0.38 .XX±0.25 .XXX±0.15	ANGLE TOLERANCE X°±2° .X°±1° .XX°± .XXX°±	DRAWN PAT	DATE 02/20/13'	
MATL SEE BOM	FINISH SEE NOTES	CHECKED PAT	DATE 02/20/13'	
SCALE N/A	UNIT mm	APPROVED	DATE	PART NUMBER. SATR-4022-BK*3T01
SHEET 1 OF 1				DRAWING NO. GT17-250001
				SIZE A4 REV. X9