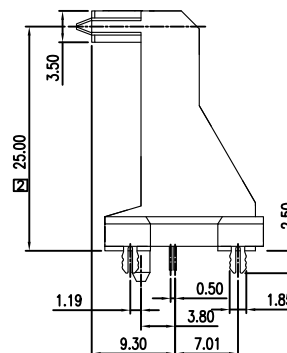
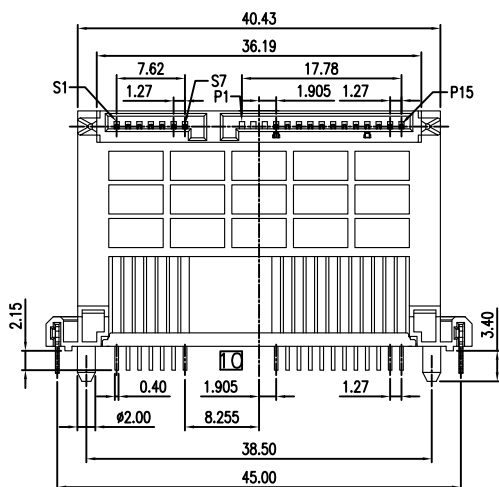
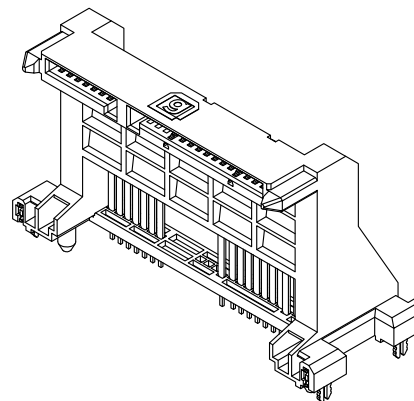
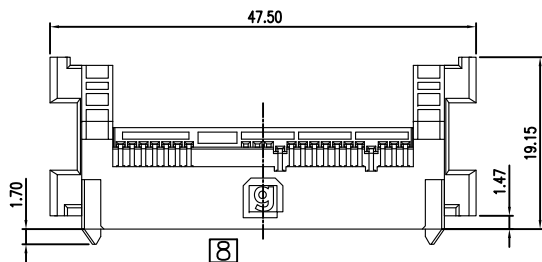

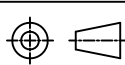


3 6 7 9



5

TOLERANCE		 <small>7F, No. 191, Sec. 2 Chung-Yang Rd., Tu-Cheng City Talpei Hsien, Taiwan</small>	TITLE: SATA 7+15 P CONNECTOR					
LINEAR	ANGLES		PART NO. SATR-2122-BK*0T01					
X.±0.50	X°.±3°	APPD: Allen	MAT'L:	DWG NO. GTI08-25105				
.X±0.38	.X°±3°	CHKD: Vegas	FINISH:		UNITS	SCALE	SHEET	REV
.XXX±0.10	.XXX°±3°	DRWN: Daniel	Q'TY:		mm	NONE	10F2	12

NOTES:

1. Material:

Housing: UL 94V-0 rated;
Contact: Phosphor Bronze

12 Plating: Gold Plating over Nickel 30u" on contact area.

Tin plating 50u" on Solder Tail.

Board Lock: Brass

Plating: Tin plating 50u" over all

2. Mechanical

Insertion Force:20N max.

Withdrawal Force:4N min.

Durability:500 cycles

3. Electrical Specification

Operation Voltage:100 VAC max.

Current Rating:1.5 Ampere per contact.

12 Contact Resistance:30 Milliohms max. per test setup Genesis GTI-Q-SOP0006.

Insulation Resistance: 1000 Megohms min.

Dielectric Withstanding Voltage: 500 VAC.

4. Environmental

Operating Temperature:-40°C to+85°C

11 5.The Housing will withstand exposure to 260°C peak temperature for 10 seconds in a convection, infra-red or vapor phase reflow oven.

12 6. RoHS 6/6 Compliant.

7. Meets SATA 2.6 compliant.

ORDER INFORMATION:

SATR-21 22 - B K * 0 T 01

① ② ③ ④⑤⑥⑦

① CONNECTOR:

SATR: SATA

② POSITION:

21: FEMALE, 7+15PIN, HIGH PROFILE

③ POSITION:

22: 22 POSITIONS

④ INSULATOR MATERIAL:

B: LCP, 94V-0

⑤ INSULATOR COLOR:

K: BLACK

⑥ CONTACT PLATING:

1: GOLD FLASH

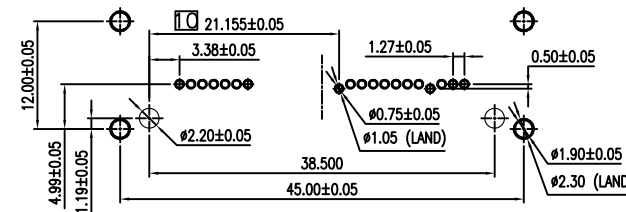
5: 15u" GOLD

6: 30u" GOLD

⑦ SHIELD PLATING :

0: NONE-SHIELD

12	ADD NOTES 7 AND REVISE NOTES 1 AND 3 AND 6	AXL	5/11/12'
11	ADD NOTE 5	Daniel	01/20/11'
10	DELETE PIN1~PIN3	Daniel	11/06/10'
9	MODIFY HOUSING	Daniel	04/19/10'
8	CHANGE LOGO AND PART NUMBER	Daniel	09/14/09'
7	MODIFY SPACER	Daniel	08/25/09'
6	REVISE DRAWING	Daniel	08/03/09'
5	REVISE TOLERANCE	Daniel	07/13/09'
4	ADD GOLD FLASH PLATING	Daniel	06/05/09'
3	MODIFY DESIGN	Daniel	12/11/08'
2	MODIFY DESIGN	Daniel	11/22/08'
1	ISSUED	Daniel	09/25/08'
REV.	ECN NO.	NAME	DATE



RECOMMENDED P.C.B MOUNTING DIMENSIONS

PART NO.	SATR-2122-BK*0T01	SHEET	REVISION
DWG NO.	GTI08-25105	20F2	12