

PROPRIETARY INFORMATION
COMPANY CONFIDENTIAL

Power Segment			
Pin NO.	Type	Name	Type
P1	V33	P9	V5
P2	V33	P10	Ground
P3	V33	P11	Ready Led
P4	Ground	P12	Ground
P5	Ground	P13	V12
P6	Ground	P14	V12
P7	V5	P15	V12
P8	V5		

Signal Segment			
Pin NO.	Type	Name	Type
S1	Signal	Ground	S8 Signal Ground
S2	IP+	S9	IS+
S3	IP-	S10	IS-
S4	Signal	Ground	S11 Signal Ground
S5	RP-	S12	RS-
S6	RP+	S13	RS+
S7	Signal	Ground	S14 Signal Ground

REV.	ECN. NO.	DESCRIPTION	ENG	DATE
A		INITIAL	Sun	8/18/2015

NOTES

- 1.INSERTION FORCE: 25N MAX
- 2.WITHDRAWL FORCE: 5N MIN
- 3.DURABILITY: 500 CYCLES
- 4.CURRENT RATING: 1.5 AMPERE PER CONTACT
- 5.CONTACT RESISTANCE: 30 MILIDHMS MAX
- 6.INSULATION RESISTANCE: 1000 MOHM MIN
- 7.DIELECTRIC WITHSTANDING VOLTAGE: 500 VAC
- 8.OPERATION TEMPERATURE RANGE: 0°C TO +550°C

PART NUMBER:

SASV-2G 29 - B K 6 0 U
① ② ③ ④ ⑤ ⑥ ⑦

1.CONNECTOR:

SASV-2G:SAS 29P LENGTHEN DOUBLE ROW DIP FEMALE

2.POSITIONS:

29: 29 POSITIONS

3.INSULATOR MATERIAL:

B: LCP

4.INSULATOR COLOR:

K: BLACK

5.CONTACT PLATING:

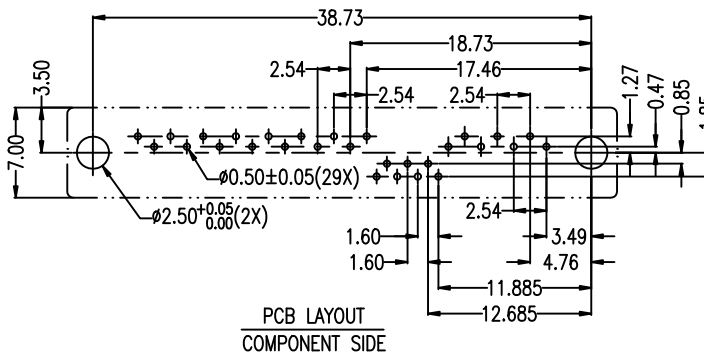
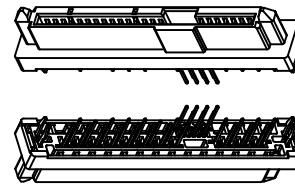
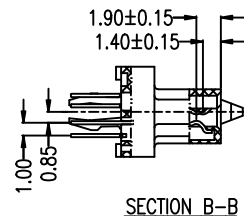
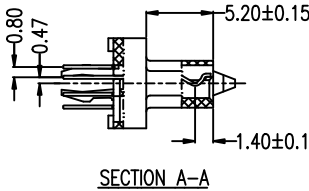
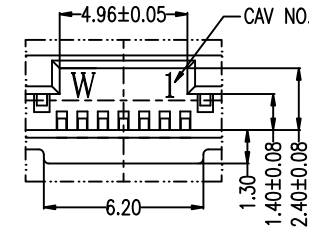
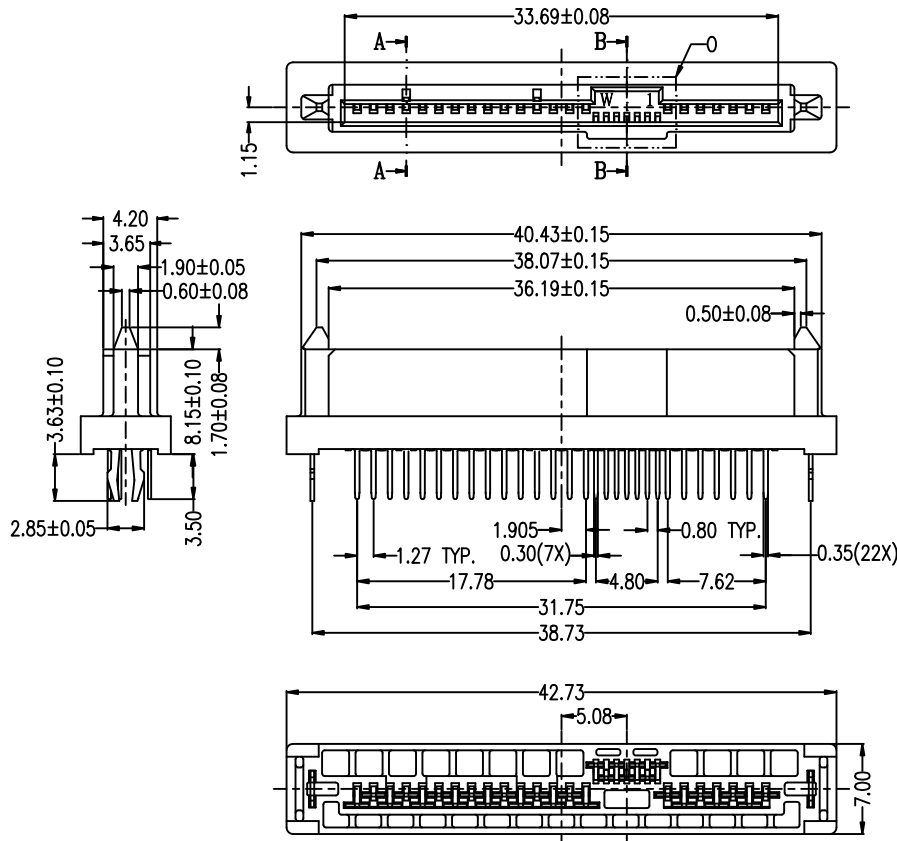
6: GOLD 30U"

6.SHIELD PLATING:

0: NONE SHIELD

7.PACKING:

U: TUBE



ITEM	NAME	Q'TY	DESCRIPTION	NOTE
3	HARPOON	2	BRASS, PLATING TIN 100U" OVER 50U" NICKEL UNDERPLATING OVERALL	
2	CANTACT	29	PHOSPHOR BRONZE,GOLD 30U" PLATING ON CONTACT AREA,100u" TIN PLATING ON SOLDER AREA,40u" NICKEL UNDER PLATING OVERALL	
1	HOUSING	1	LCP,COLOR BLACK	

GENERAL TOLERANCE	ANGLE TOLERANCE	DRAWN	DATE
.±0.50	X°± 5.0°	Sun	8/18/15'
.X±0.38	.X°± 3.0°	CHECKED	DATE
.XX±0.25	.XX°± 2.0°	APPROVED	DATE
.XXX±0.15	.XXX°± 1.0°	River	8/18/15'
MATL	SEE BOM	SCALE	N/A
FINISH	SEE NOTES	UNIT	mm
SHEET	1 OF 1		

		TITLE	SAS 29P LENGTHEN DOUBLE ROW DIP FEMALE
		PART NUMBER	SASV-2G29-BK60U
DRAWING NO.		GT26-210566	SIZE A4
REV.			REV. A