

VIEW P
SCALE 3:1

Signal Segment		Power Segment	
Pin NO.	Type	Pin NO.	Type
S1	GND	P1	V33
S2	A+	P2	V33
S3	A-	P3	V33
S4	GND	P4	GND
S5	B-	P5	GND
S6	B+	P6	GND
S7	GND	P7	V5
S8	GND	P8	V5
S9	A+	P9	V5
S10	A-	P10	GND
S11	GND	P11	DAS/DSS
S12	B-	P12	GND
S13	B+	P13	V12
S14	GND	P14	V12
		P15	V12

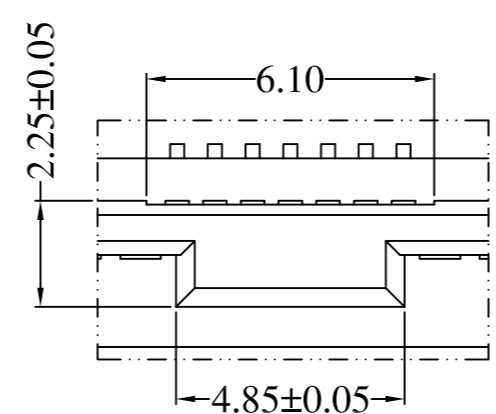
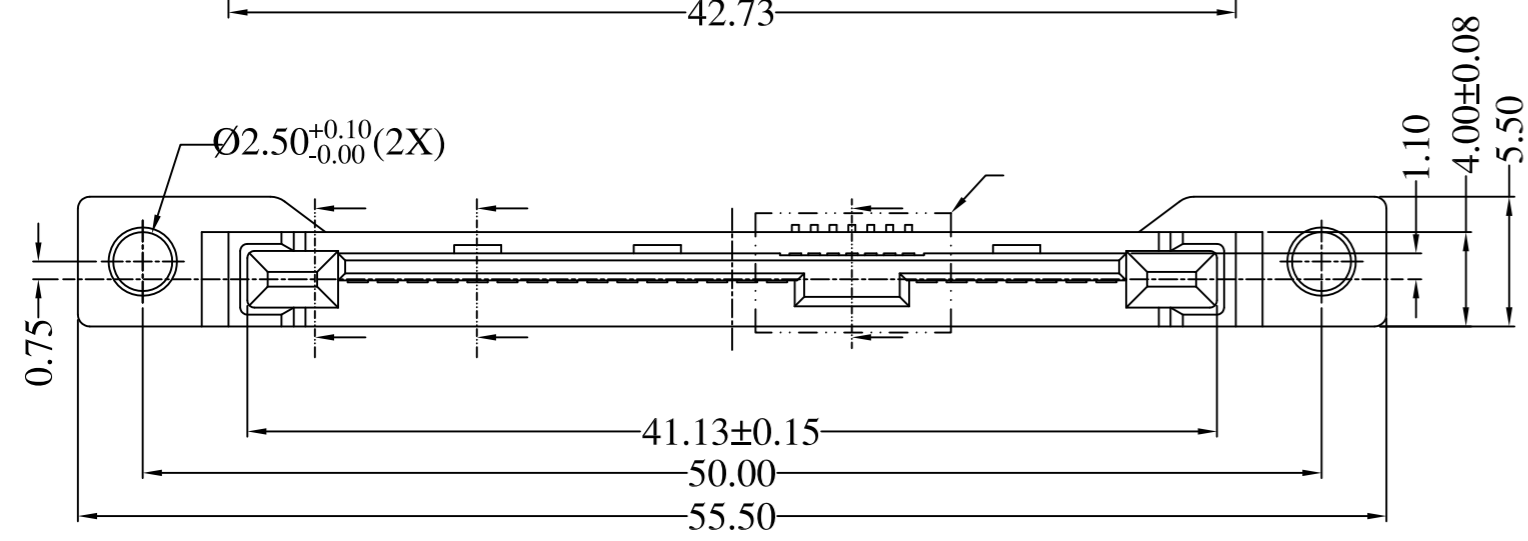
NOTES:
 *Material
 Housing: LCP+50%G.F, UL 94V-0 rated, Color: Black;
 Contact: Brass;
 Plating: Gold plating on contact area, Tin(80u" min.) plating on solder tail, Nickel (30u" min.) underplating overall

*Mechanical
 Insertion Force: 25N max.
 Withdrawal Force: 5N min.
 Durability: 500 cycles

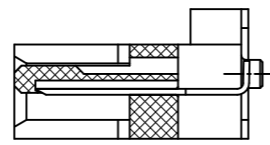
*Electrical Specification
 Current Rating: 1.5 Ampere per contact;
 Contact Resistance: 30 m Ohms max.
 Insulation Resistance: 1000 M Ohms min.
 Dielectric Withstanding Voltage: 500 VAC.

*Environmental
 Operating Temperature: 0°C to +55°C

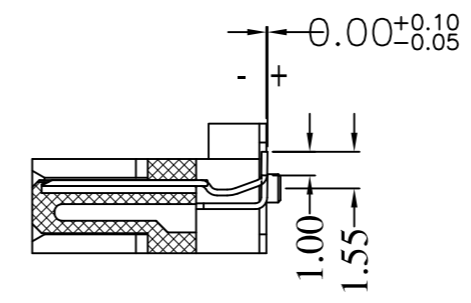
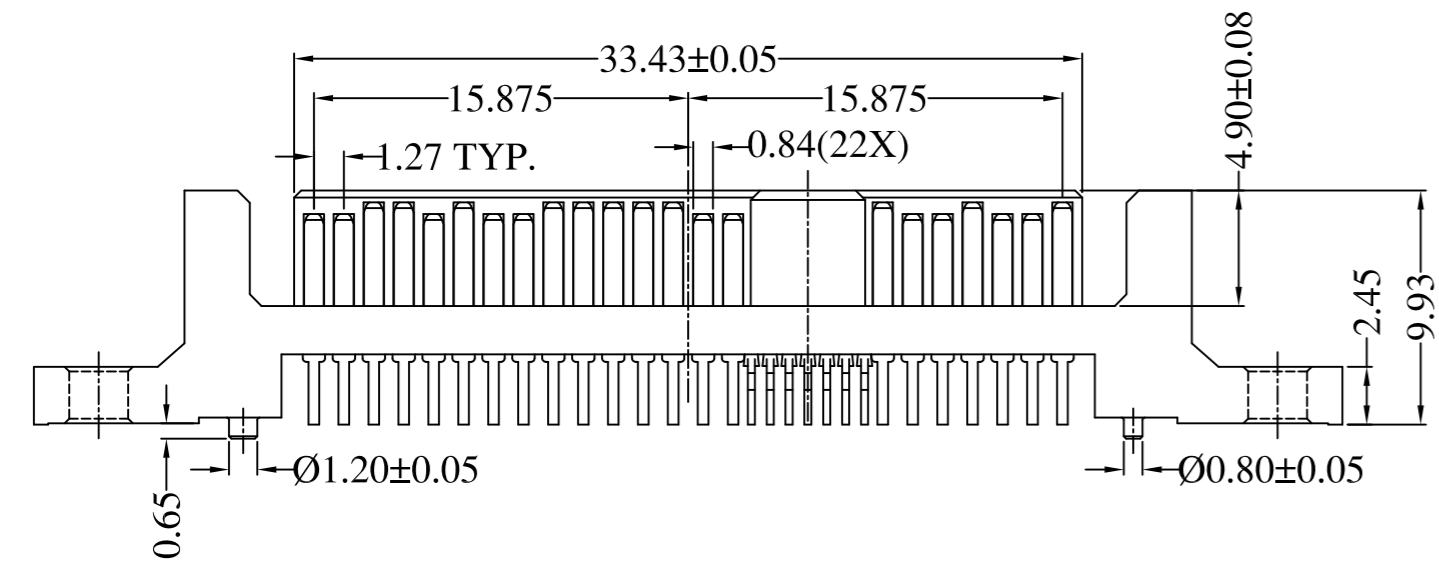
*RoHS Compliant



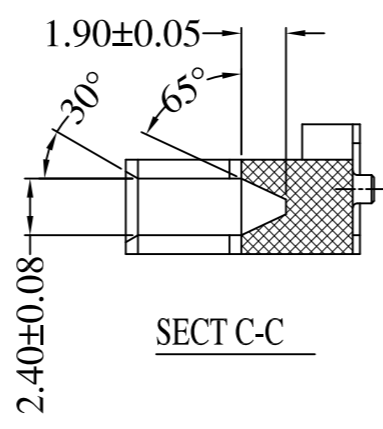
VIEW O
SCALE 2:1



SECT A-A



SECT B-B



SECT C-C

ORDER INFORMATION
 SASV - 11 29 - B K 6 0 T 1F
 ① ② ③ ④ ⑤ ⑥ ⑦ ⑧

1. CONNECTOR:
 SASV: SAS VERTICAL

2. TYPE:
 11: VERTICAL SMT SCREW TYPE MALE

3. POSITIONS:
 29: 29 POSITIONS

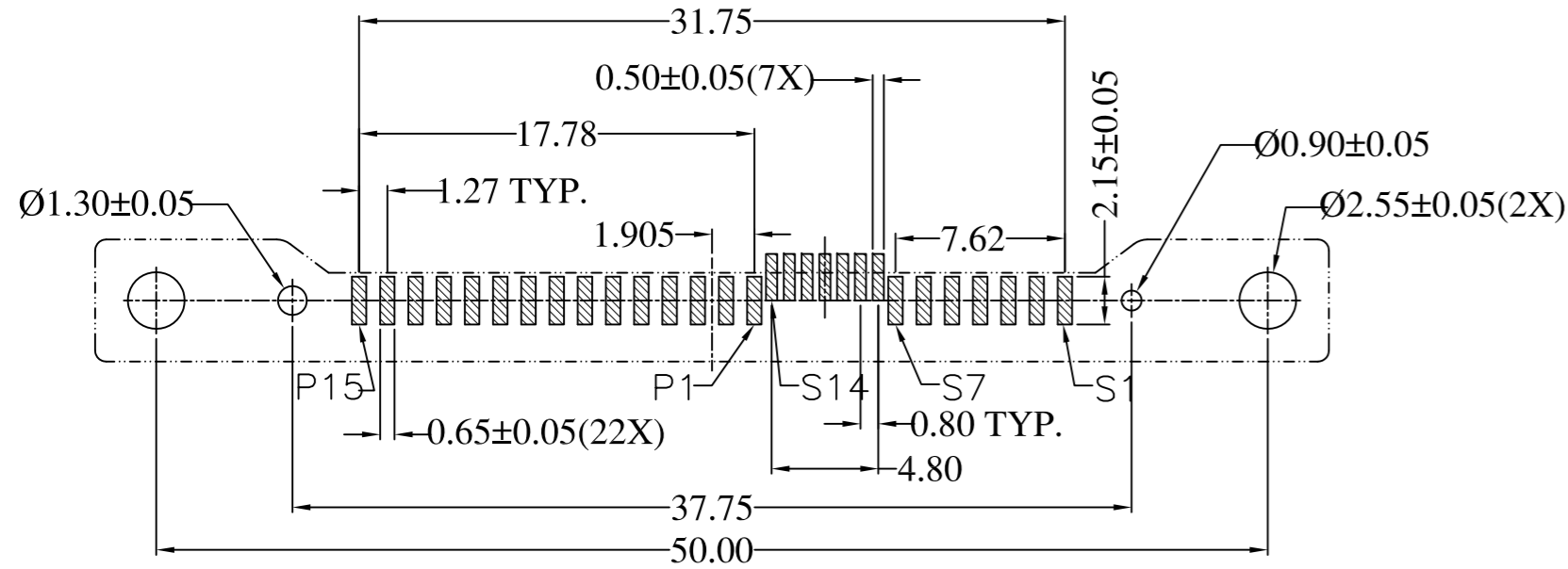
4. BODY MATERIAL:
 B: LCP

5. BODY COLOR:
 K: BLACK

6. CONTACT PLATING:
 6: GOLD 30u"

7. SHIELD PLATING:
 0: WITHOUT SHIELD

8. PACKING SHIELD
 T: TRAY



P.C.B LAYOUT(T=1.60mm)
COMPONENT SIDE

TOLERANCE	
LINEAR	ANGLES
X. ±	X° ±
.X ± 0.38	.X° ± 3°
.XX ± 0.25	.XX° ± 3°
.XXX ± 0.20	.XXX° ± 3°



TITLE: SAS 29P VERTICAL SMT SCREW TYPE MALE			
PART NO.	SASV-1129-BK60T1F		
DWG NO.	GTI10-20204		
UNITS	SCALE	SHEET	REV
mm	NONE	1 OF 1	A

ISSUED	Kevin	11/24/10'
ECN NO.	NAME	DATE

APPD:	MAT'L:
CHKD:	FINISH:
DRWN: Kevin	Q'TY: