

Signal Segment		Power Segment	
Pin NO.	Type	Pin NO.	Type
S1	GND	P1	V33
S2	A+	P2	V33
S3	A-	P3	V33
S4	GND	P4	GND
S5	B-	P5	GND
S6	B+	P6	GND
S7	GND	P7	V5
S8	GND	P8	V5
S9	A+	P9	V5
S10	A-	P10	GND
S11	GND	P11	DAS/DSS
S12	B-	P12	GND
S13	B+	P13	V12
S14	GND	P14	V12
		P15	V12

**NOTES:**

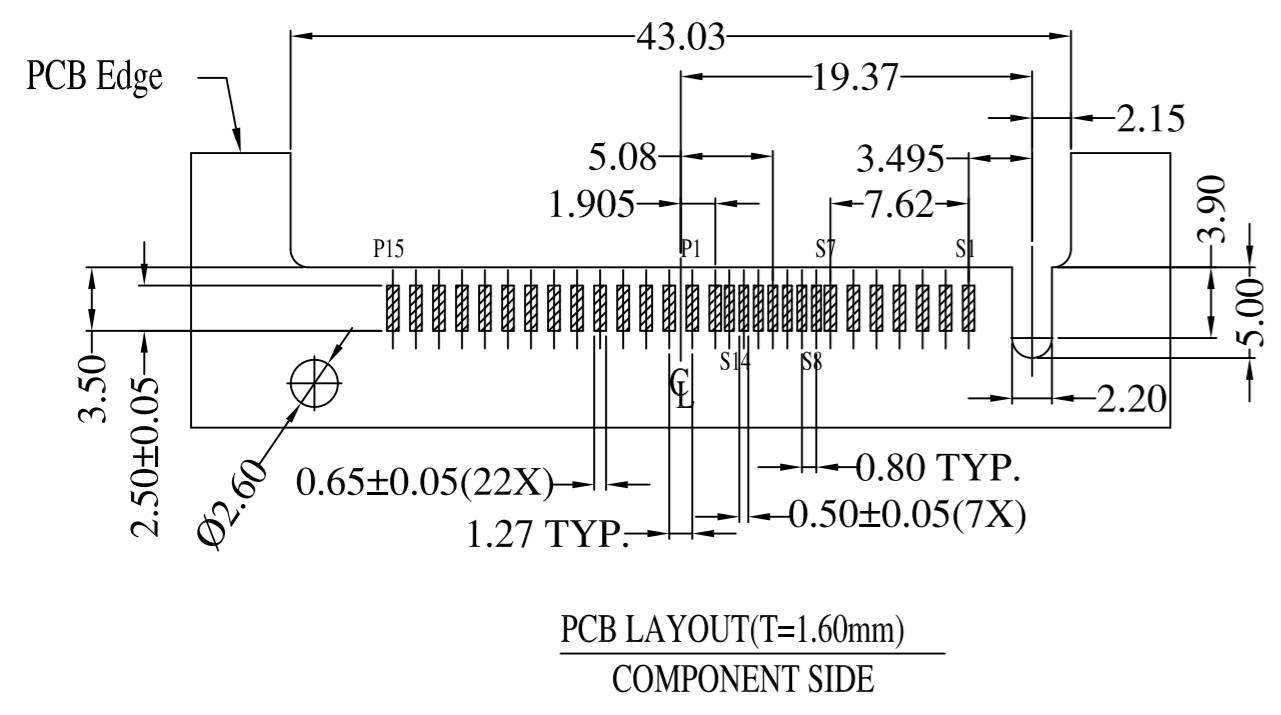
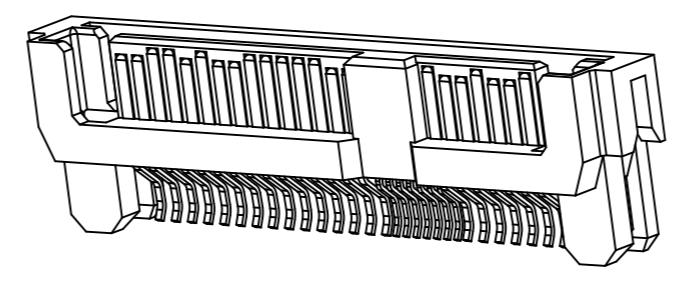
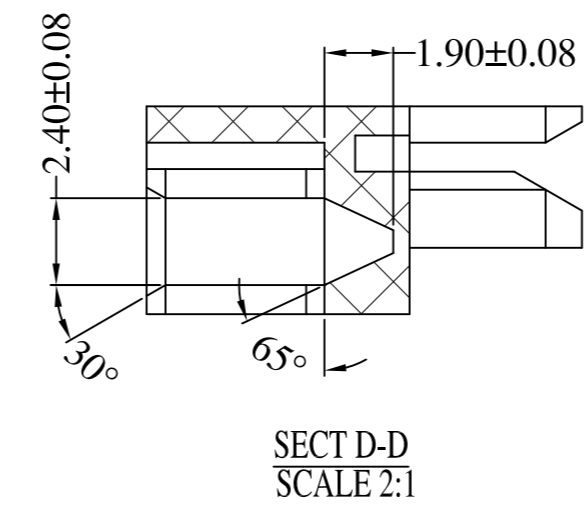
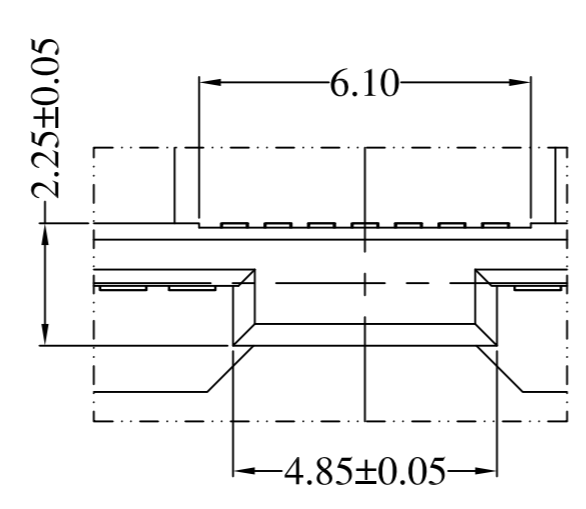
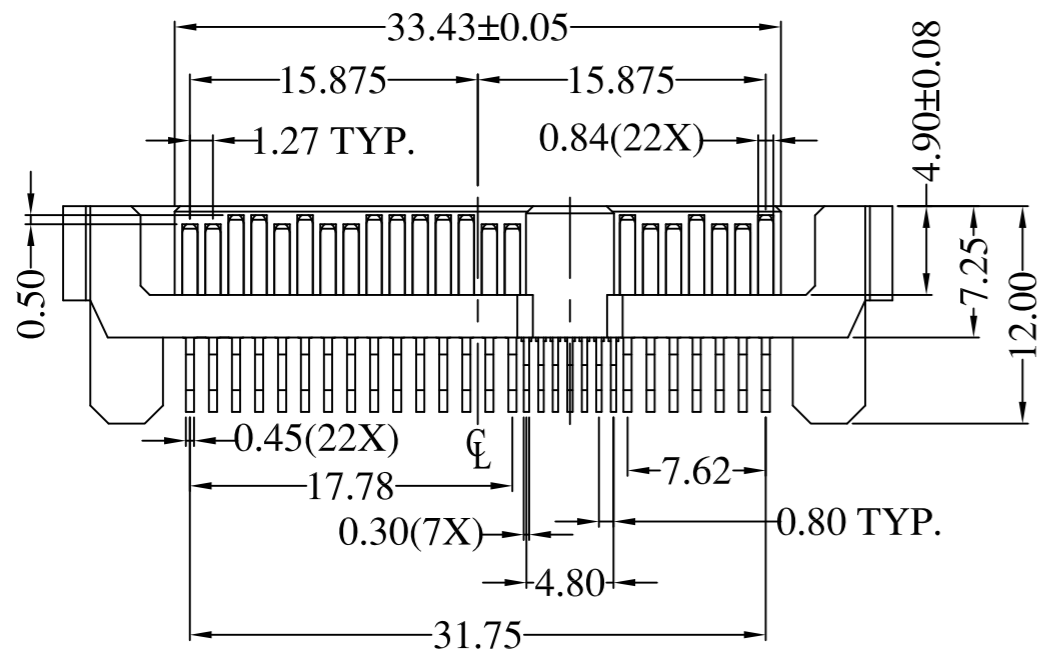
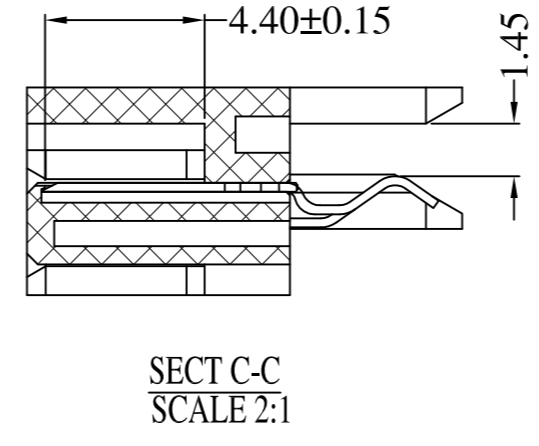
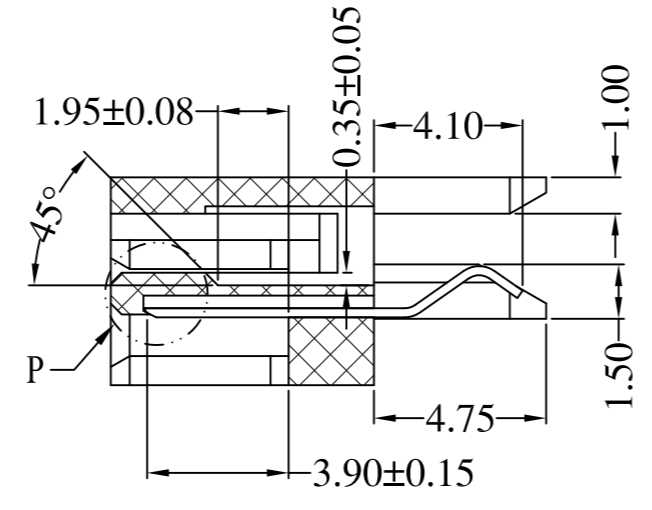
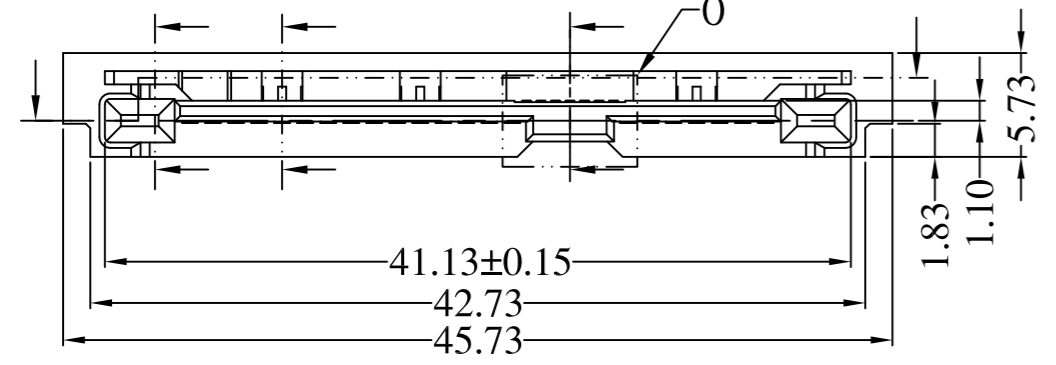
**\*Material**  
 Housing: LCP+50%G.F, UL 94V-0 rated, Color: Black;  
 Contact: Brass;  
 Plating: Gold plating on contact area, Tin(80u" min.) plating on solder tail, Nickel (30u" min.) underplating overall

**\*Mechanical**  
 Insertion Force: 25N max.  
 Withdrawal Force: 5N min.  
 Durability: 500 cycles

**\*Electrical Specification**  
 Current Rating: 1.5 Ampere per contact;  
 Contact Resistance: 30 m Ohms max.  
 Insulation Resistance: 1000 M Ohms min.  
 Dielectric Withstanding Voltage: 500 VAC.

**\*Environmental**  
 Operating Temperature: 0°C to +55°C

**\*RoHS Compliant**



**ORDER INFORMATION**  
 SASR - 14 29 - B K 6 0 T 1F  
 ① ② ③ ④ ⑤ ⑥ ⑦ ⑧

- CONNECTOR:  
SASR: SAS RA
- TYPE:  
14: STRADDLE EDGE MOUNT SMT MALE
- POSITIONS:  
29: 29 POSITIONS
- BODY MATERIAL:  
B: LCP
- BODY COLOR:  
K: BLACK
- CONTACT PLATING:  
6: GOLD 30u"
- SHIELD PLATING:  
0: WITHOUT SHIELD
- PACKING SHIELD  
T: TRAY

TOLERANCE	
LINEAR	ANGLES
X. ±	X° ±
.X ± 0.38	.X° ± 3°
.XX ± 0.25	.XX° ± 3°
.XXX ± 0.20	.XXX° ± 3°

**GENESIS TECHNOLOGY, INC**  
 7F, No. 191, Sec. 2  
 Chung-Yang Rd.,  
 Tu-Cheng City  
 Taipei Hsien, Taiwan  
 A Genesis Electro-Mechanical Company

<b>TITLE:</b> SAS 29P STRADDLE EDGE MOUNT SMT MALE	
<b>PART NO.</b> SASR-1429-BK60T1F	
<b>DWG NO.</b> GTI10-20203	
<b>UNITS</b> mm	<b>SCALE</b> NONE
<b>SHEET</b> 1 OF 1	<b>REV</b> A

<b>ISSUED</b> Kevin	<b>DATE</b> 11/24/10'
<b>ECN NO.</b>	<b>NAME</b> Kevin

<b>APPD:</b>	<b>MAT'L:</b>
<b>CHKD:</b>	<b>FINISH:</b>
<b>DRWN:</b> Kevin	<b>Q'TY:</b>

<b>REV.</b>	<b>A</b>
-------------	----------