

NOTES:

*Material:
 Housing: LCP With 30% GF, UL 94V-0, Black Color.
 ESATA Contacts: Brass.
 USB Contacts: Phosphor bronze.
 Front shell: Stainless steel.
 Back shell: Brass.
 Middle shell: Stainless steel.

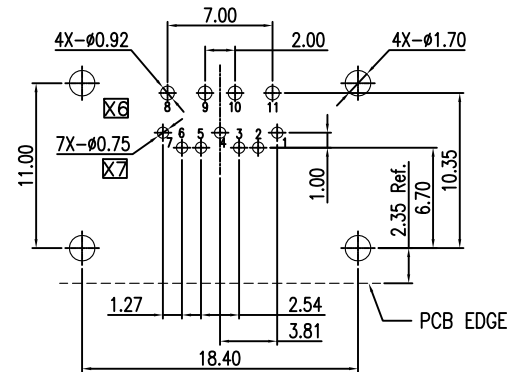
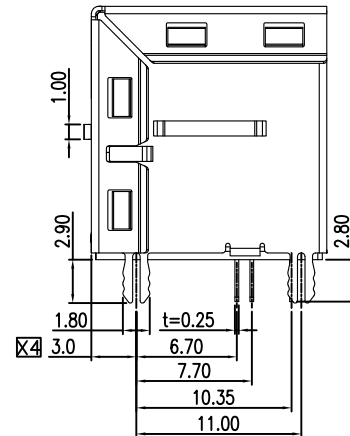
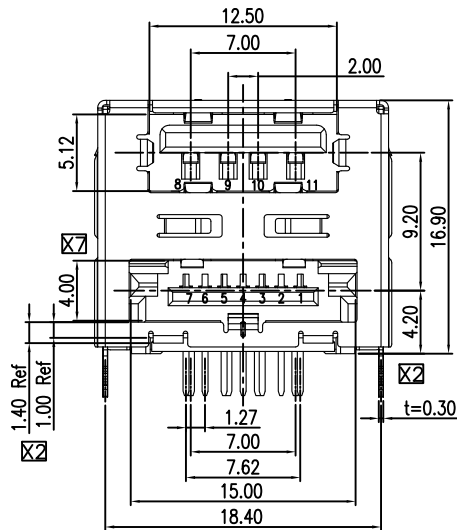
*Finish:
 Contacts: Gold plated on contact area,
 Selective Tin plated 100u" On soldertail,
 Underplated Nickel overall 50u" Min.
 Back shell: Nickel overall 50u" Min.

X5 *RoHS COMPLIANT.

PART. NUMBER

X3 ESUR - 23 11 - B K * 3 T 01
 ① ② ③ ④ ⑤ ⑥ ⑦ ⑧

1. CONNECTOR:
ESUR: ESATA+USB CONNECTOR
2. TYPE:
23: DIP TYPE 2 CONNECTOR
3. POSITIONS
11: 11 POSITIONS
4. INSULATOR MATERIAL
B: LCP
5. INSULATOR COLOR
K: BLACK
6. CONTACT PLATING
X3 1: GOLD FLASH
8: GOLD 6u"
7. SHIELD PLATING
3: NICKEL PLATED
8. PACKING
T: TRAY



RECOMMENDED PCB THICKNESS=1.60±0.05mm

X7	CORRECTED ESATA PIN NUMBERS WAS BACKWARDS	AXL	04/17/14'		
X6	ADD PIN NUMBERS	Terry	04/16/14'		
X5	ADD RoHS COMPLIANT	AXL	10/17/13'	TOLERANCE	
X4	ADD DIMENSION	Terry	11/02/12'	LINEAR	ANGLES
X3	ADD PLATING G/F	Terry	04/27/12'	X.±0.50	X°.±3°
X2	ADD DIMENSION	Terry	11/10/11'	.X±0.38	.X°±3°
X1	ISSUED	Terry	11/10/10'	.XX±0.25	.XX°±3°
REV.	ECN NO.	NAME	DATE	.XXX±0.15	.XXX°±3°



TITLE: E-SATA+USB DIP TYPE

PART NO. ESUR-2311-BK*3T01

DWG NO. GT110-25139

UNITS	SCALE	SHEET	REV
mm	NONE	10F1	X7

APPD:
 MAT'L:
 CHKD:
 FINISH:
 DRWN: Terry
 Q'TY: