

PROPRIETARY INFORMATION
COMPANY CONFIDENTIAL

REV.	ECN. NO.	DESCRIPTION	ENG	DATE
X1		ISSUED	AXL	11/6/2018
X2		UPDATE LENGTH OPTIONS	KYLE	11/15/2018
X3		UPDATE WIRE DIAGRAM	KYLE	4/15/2019

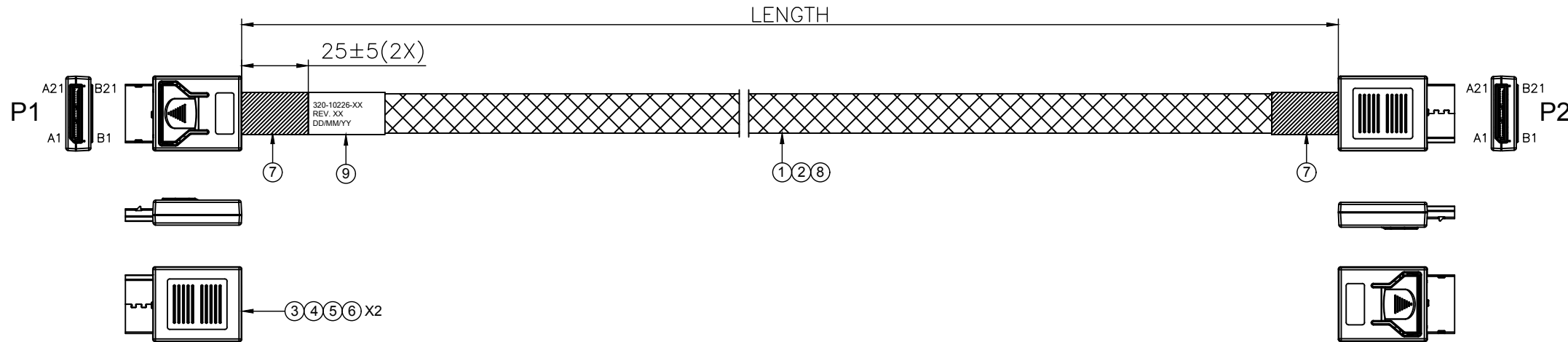


TABLE 1

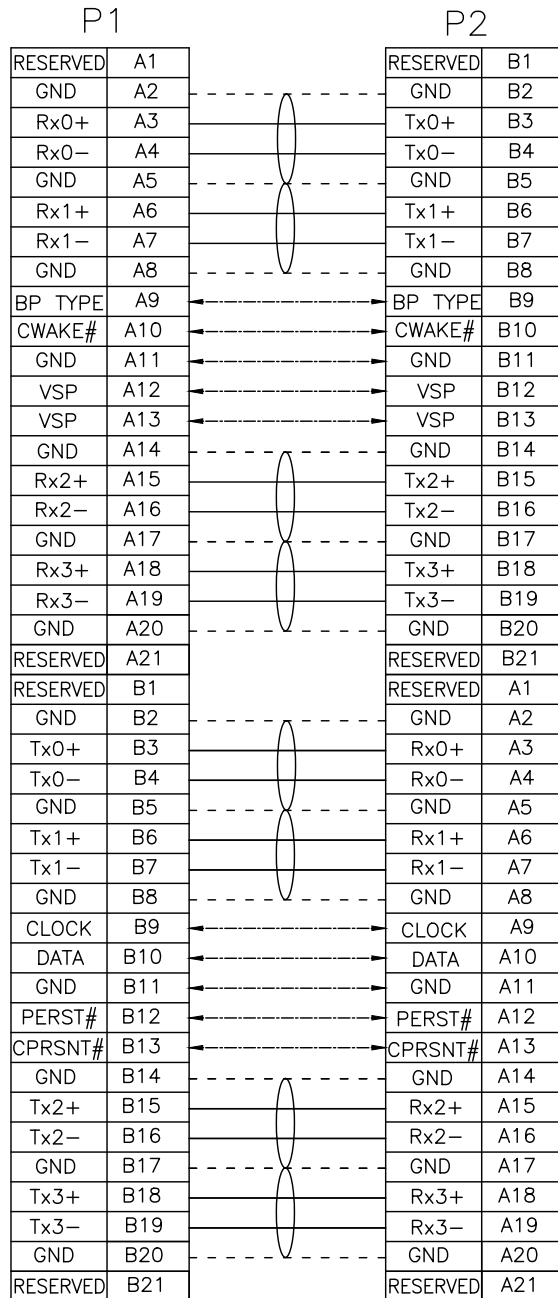
PART NUMBER	AWG	LENGTH (MM)
320-10226-01	34	500±15
320-10226-02	34	1000±20
320-10226-03	32	500±15
320-10226-04	32	1000±20

ITEM	NAME	Q'TY	DESCRIPTION	NOTE
9	LABEL	1	WHITE LABEL, 60*30MM(REF)	
8	WEAVE	A/R	PLASTIC BRAID SLEEVE, PET, BLACK,OD:8.0MM	
7	ACETATE TAPE	A/R	ACETATE TAPE, W=25MM, BLACK	
6	COVER	2	OCULINK 4i TOP COVER PC+ABS,30%G.F, BLACK	
5	COVER	2	OCULINK 4i DOWN COVER PC+ABS,30%G.F, BLACK	
4	INNER MOLD	2	INNER MOLDING FOR OCULINK 4i STR, BLACK	
3	PCBA	2	PCBA-OCULINK 4i CONN. & OCULINK 4i PCB,FR-408HR, AU30u"	
2	WIRE	A/R	ELECTRONIC WIRE, COLOR	
1	SAS CABLE	A/R	SAS4.0 CABLE: UL20744, BLUE, 85ohm	

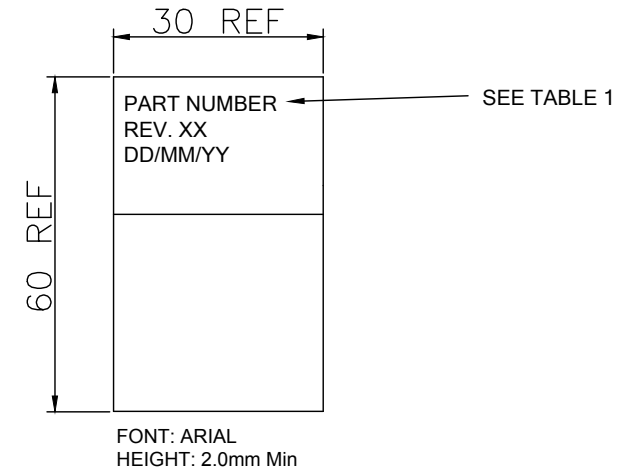
RoHS Compliant

GENERAL TOLERANCE X ± .X ± 0.40 .XX ± 0.30 .XXX ± 0.20	ANGLE TOLERANCE X° ± 5.0° .X° ± 3.0° .XX° ± 2.0° .XXX° ± 1.0°	DRAWN AXL 11/06/2018	DATE 11/06/2018		
MATL		CHECKED	DATE		TITLE Oculink 4i STRAIGHT TO STRAIGHT CABLE ASS'Y
FINISH		APPROVED		DATE	PART NUMBER 320-10226-XX
SCALE N/A	UNIT mm	SHEET 1 OF 2		DRAWING NO. 320-10226	SIZE A4 REV. X3

WIRING TABLE



LABEL INFORMATION



TEST CONDITIONS:

- 100% OPEN & SHORT & MISS-WIRING & INTERMITTENCE TEST.
- CONDUCTIVE RESISTANCE: 3Ω MAX.
- INSULATION RESISTANCE: 10 MΩ
- HI-POT TEST: 300VDC FOR 10ms.
- THIS PRODUCT MEETS SAS 4.0

RoHS Compliant

GENERAL TOLERANCE X ± .X ± 0.40 .XX ± 0.30 .XXX ± 0.20	ANGLE TOLERANCE X° ± 5.0° .X° ± 3.0° .XX° ± 2.0° .XXX° ± 1.0°	DRAWN AXL	DATE 11/06/2018		TITLE Oculink 4i STRAIGHT TO STRAIGHT CABLE ASS'Y
MATERIAL		CHECKED	DATE		PART NUMBER 320-10226-XX
FINISH		APPROVED		DATE	DRAWING NO. 320-10226
SCALE N/A	UNIT mm	SHEET 2 OF 2		SIZE A4	REV. X3