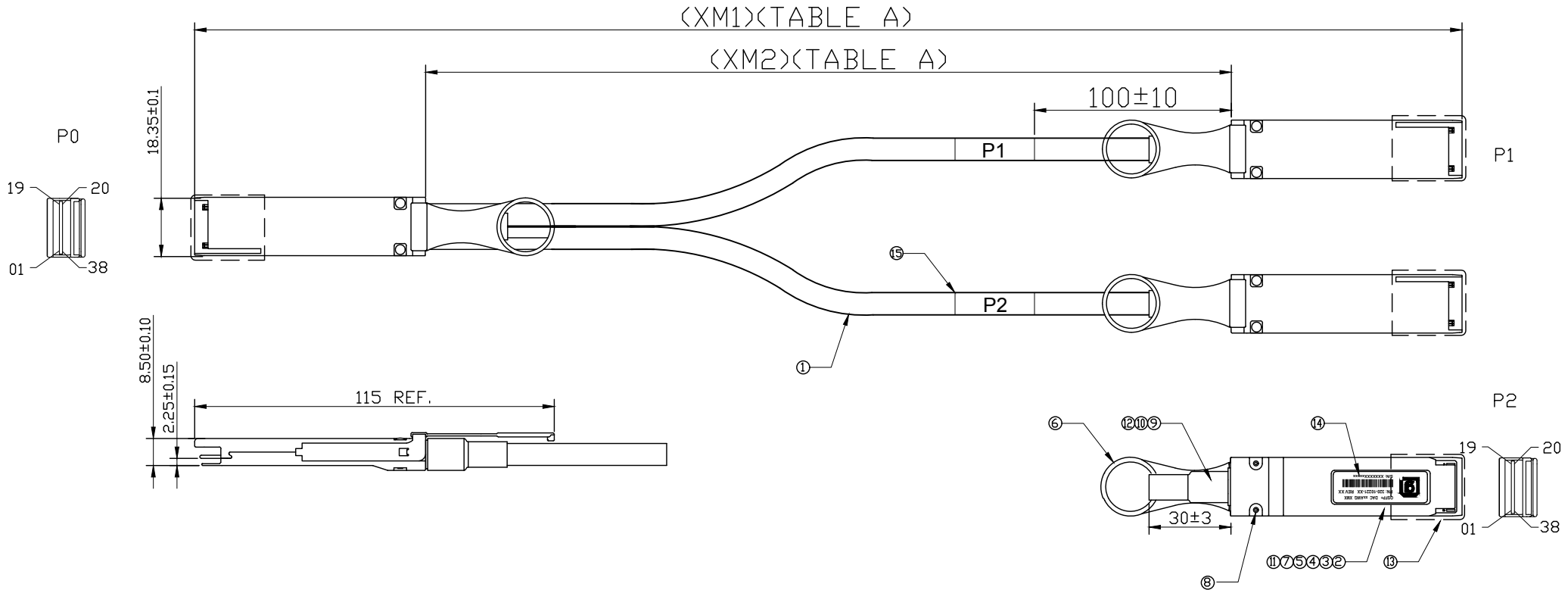


REV.	ECN. NO.	DESCRIPTION	ENG	DATE
X1		INITIAL	KYLE	11/5/2018
X2		ADD 3M 30AWG	KYLE	11/30/2018



15	CABLE LABEL<线标>	BLANK WHITE LABEL, 40*10	2
14	CONN. LABEL<壳标>	BACK SHELL LABEL, 29.5*9.6mm	3
13	DUST COVER<防尘盖>	LDPE, NATURAL	3
12	HEAT SHRINKABLE TUBE<热缩套管>	HEAT SHRINK TUBING	A/R
11	INNER MOLD<内模>	HOT-MELT GLUE	A/R
10	BRASS BUCKLE<铜扣>	BRASS, PLATED Ni	3
9	COPPER RING<铜环>	COPPER, PLATED Ni	3
8	RIVET<铆钉>	ALUMINIUM ALLOY	6
7	SPRING<弹簧>	HANDED ROTATION, SWPB	6
6	PULL TAB<拉带>	PA66 S1300, SKY BLUE	3
5	LATCH<挂钩>	STAINLESS STEEL	3
4	BOTTOM SHELL<下壳>	Zn ALLOY, PLATED Ni OVER Cu	3
3	TOP SHELL<上壳>	Zn ALLOY, PLATED Ni OVER Cu	3
2	PCB ASSEMBLY<PCB 成品>	QSFP+ PCB, 38P, Au 30u*Min	3
1	RAW CABLE<线材>	30/26AWG, 4PAIRS, BLACK, RDHS2.0, SEE TABLE A	A/R
ITEM	NAME	DESCRIPTION	Q'TY

NOTE(注释):

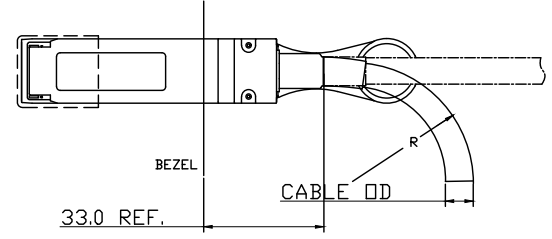
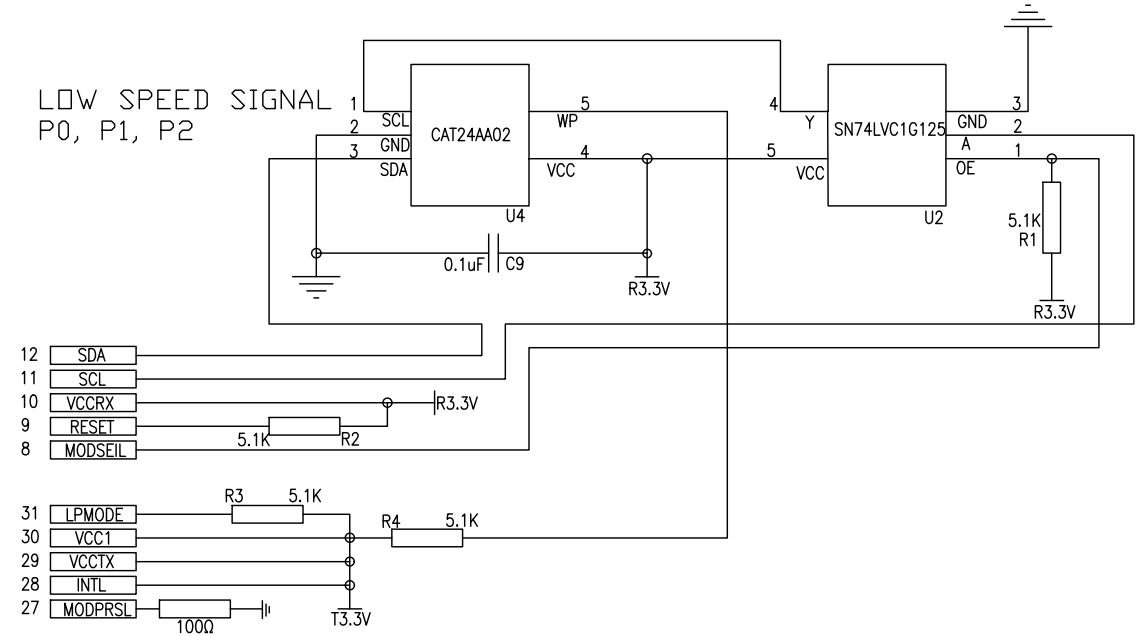
- CABLE ASSEMBLY IMPEDANCE: 100±10 ohm.
成品特性阻抗: 100±10 欧姆
- 100% CONDUCTOR TEST, TEST CONDITION: VOLTAGE 5V, INSULATION RESISTANCE 10M ohm, CONDUCTION RESISTANCE MAX 3 ohm
100% 导通测试, 测试条件为电压5V, 绝缘10M欧姆, 导通电阻不大于3欧姆
- HIGH-FREQUENCY TEST ACCORDING TO IEEE802.3 STANDARD.
高频测试依照IEEE802.3标准测试
- ALL MATERIAL MUST COMPLY WITH ROHS2.0.
所有物料必须符合ROHS2.0

GENERAL TOLERANCE X± .X±0.40 .XX±0.30 .XXX±0.20	ANGLE TOLERANCE X°± .X°± .XX°± .XXX°±	DRAWN KYLE	DATE 11/30/2018	
MATL SEE BOM	FINISH SEE NOTES	CHECKED	DATE	
SCALE N/A	UNIT mm	APPROVED	DATE	PART NUMBER 320-10221-XX
SHEET 1 OF 1				DRAWING NO. 320-10221
				SIZE A4 REV. X2

WIRING TABLE

P0(QSFP+)		2*QSFP+ 40G			
Signal	Pad	Pad	Signal		
TX1n	37	18	RX1n	P1	
TX1p	36	17	RX1p		
RX1p	17	36	TX1p		
RX1n	18	37	TX1n		
TX2n	02	21	RX2n	P2	
TX2p	03	22	RX2p		
RX2p	22	03	TX2p		
RX2n	21	02	TX2n		
TX3n	34	18	RX1n	P2	
TX3p	33	17	RX1p		
RX3p	14	36	TX1p		
RX3n	15	37	TX1n		
TX4n	05	21	RX2n	P2	
TX4p	06	22	RX2p		
RX4p	25	03	TX2p		
RX4n	24	02	TX2n		
GND GROUP 01/04/07/13/ 16/19/20/23/ 26/32/35/38		GND GROUP 01/04/07/13/ 16/19/20/23/ 26/32/35/38			
Connector Shell		Connector Shell			

LOW SPEED SIGNAL
P0, P1, P2



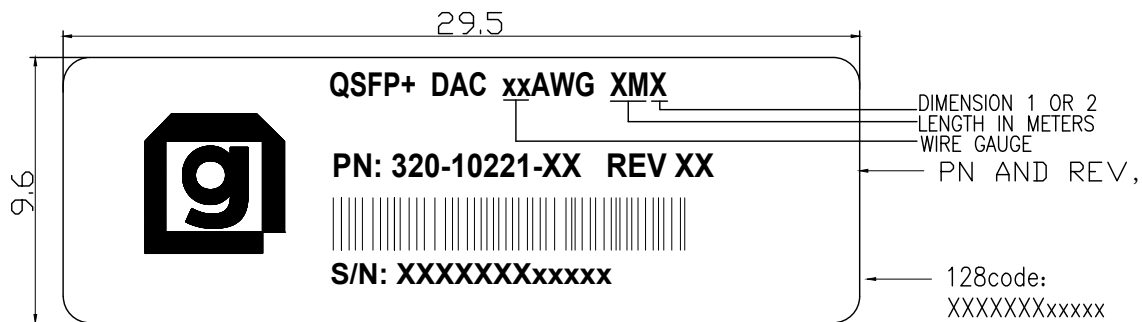
CABLE GAUGE	CABLE "OD"	STATIC BEND RADIUS "R"	DYNAMIC BEND RADIUS "R"
30AWG	6.1MM	30.5MM	61MM
26AWG	8.7MM	43.5MM	87MM

RoHS Compliant

GENERAL TOLERANCE X.± 0.50 .X± 0.20 .XX± 0.10 .XXX± 0.05	ANGLE TOLERANCE X°± 5.0° .X°± 3.0° .XX°± 2.0° .XXX°± 1.0°	DRAWN KYLE	DATE 11/30/2018	
MATERIAL SEE BOM		CHECKED	DATE	
FINISH SEE NOTES		APPROVED	DATE	TITLE QSFP+ TO QSFP+, 40G, DAC
SCALE N/A	UNIT mm			PART NUMBER 320-10221-XX
SHEET 2 OF 3				DRAWING NO. 320-10221
				SIZE A4 REV. X2

REV.	ECN. NO.	DESCRIPTION	ENG	DATE
		REFER TO PAGE 1		

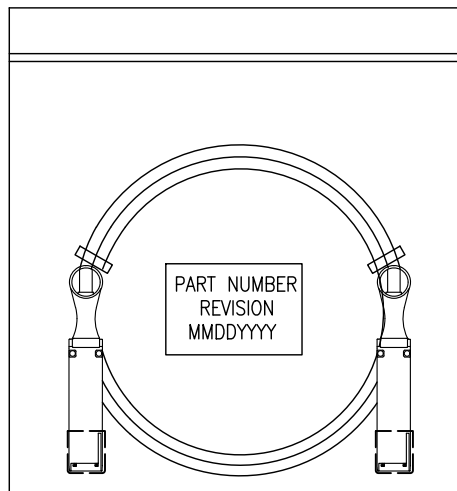
CONN. LABEL (壳标):



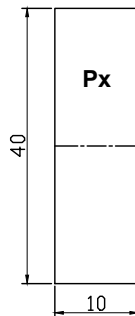
S/N: XXXXXXXXxxxxx

5位流水号
7位PO NO. 订单号

PACKAGING:



CABLE LABEL (线标):



Px: P1, P2

PART NUMBER	WIRE TYPE	xx AWG	XM1 LENGTH	XM2 LENGTH
320-10221-01	PVC	30	500±20	
320-10221-02	PVC	30	1000±30	
320-10221-03	PVC	30	2000±30	
320-10221-04	PVC	26	3000±40	
320-10221-05	PVC	26	4000±40	
320-10221-06	PVC	26	5000±50	
320-10221-07	LSZH	30	500±20	
320-10221-08	LSZH	30	1000±30	
320-10221-09	LSZH	30	2000±30	
320-10221-10	LSZH	26	3000±40	
320-10221-11	LSZH	26	4000±40	
320-10221-12	LSZH	26	5000±50	
320-10221-13	PVC	30		500±20
320-10221-14	PVC	30		1000±30
320-10221-15	PVC	30		2000±30
320-10221-16	PVC	26		3000±40
320-10221-17	PVC	26		4000±40
320-10221-18	PVC	26		5000±50
320-10221-19	LSZH	30		500±20
320-10221-20	LSZH	30		1000±30
320-10221-21	LSZH	30		2000±30
320-10221-22	LSZH	26		3000±40
320-10221-23	LSZH	26		4000±40
320-10221-24	LSZH	26		5000±50
320-10221-25	PVC	30	3000±40	
320-10221-26	LSZH	30	3000±40	
320-10221-27	PVC	30		3000±40
320-10221-28	LSZH	30		3000±40

RoHS Compliant

GENERAL TOLERANCE X.± 0.50 .X± 0.20 .XX± 0.10 .XXX± 0.05	ANGLE TOLERANCE X°± 5.0° .X°± 3.0° .XX°± 2.0° .XXX°± 1.0°	DRAWN KYLE	DATE 11/30/2018	
MATERIAL SEE BOM		CHECKED	DATE	
FINISH SEE NOTES		APPROVED		PART NUMBER 320-10221-XX
SCALE N/A	UNIT mm	DATE		DRAWING NO. 320-10221
SHEET 3 OF 3				SIZE A4 REV. X2