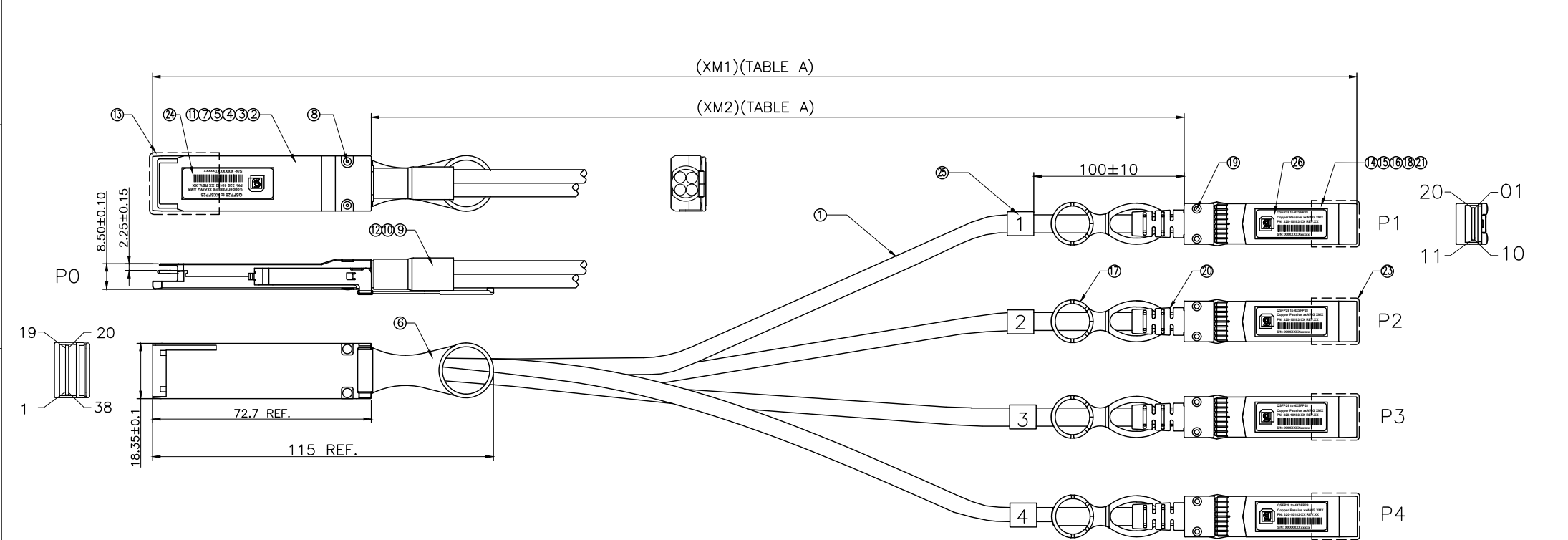
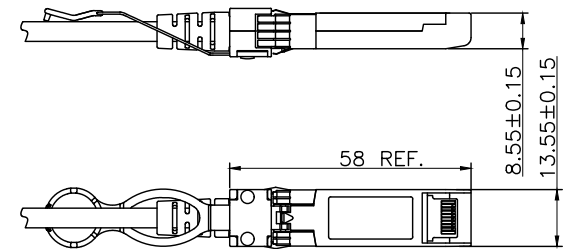


| REV. | ECN. NO. | DESCRIPTION | ENG | DATE |
|------|----------|------------------|------|----------|
| X1 | | INITIAL | KYLE | 10/11/18 |
| X2 | | UPDATE P/N TABLE | KYLE | 12/13/18 |



NOTE(注释):

1. RAW CABLE IMPEDANCE: 100_{-5}^{+10} ohm, MATED CONNECTOR IMPEDANCE: 100_{-15}^{+10} ohm, R RISE TIME: 30ps(20%~80%).
裸线特性阻抗: 100_{-5}^{+10} 欧姆, 连接器接触区特性阻抗: 100_{-15}^{+10} 欧姆, 上升沿时间: 30ps(20%~80%).
2. 100% CONDUCTOR TEST, TEST CONDITION: VOLTAGE 5V, INSULATION RESISTANCE 10M ohm, CONDUCTION RESISTANCE MAX 2 ohm
100% 导通测试, 测试条件为电压5V, 绝缘10M欧姆, 导通电阻不大于2欧姆
3. SIGNAL INTEGRITY TEST ACCORDING TO IEEE802.3 STANDARD.
信号完整性依照IEEE802.3标准测试
4. PRODUCT MEET QSFP MSA AND SFP MSA,
产品符合QSFP MSA 和SFP MSA规范
5. ALL MATERIAL MUST COMPLY WITH ROHS
所有物料必须符合ROHS

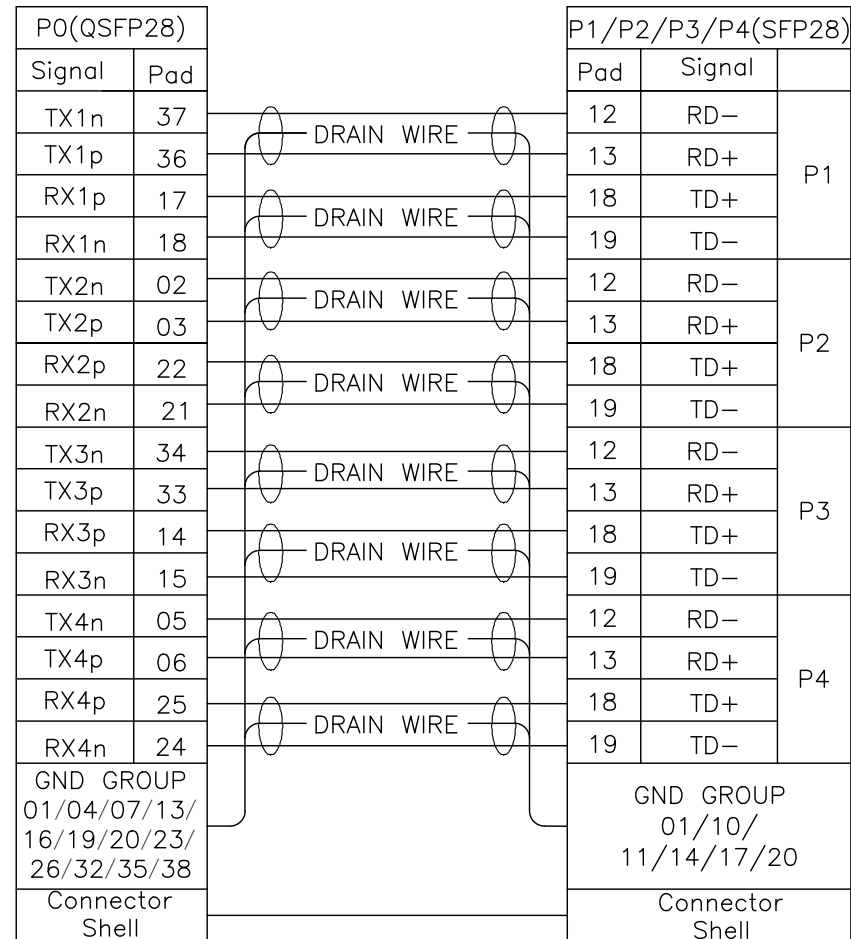


RoHS Compliant

| | | | | |
|---|---|---------------|--------------------|-----------------------------|
| GENERAL TOLERANCE X± 0.50 .X± 0.20 .XX± 0.10 .XXX± 0.05 | ANGLE TOLERANCE X°± 5.0° .X°± 3.0° .XX°± 2.0° .XXX°± 1.0° | DRAWN KYLE | DATE 12/13/2018 | |
| MATL SEE BOM | FINISH SEE NOTES | CHECKED | DATE | |
| SCALE N/A | UNIT mm | APPROVED | DATE | PART NUMBER 320-10183-01 |
| SHEET 1 OF 4 | | | | DRAWING NO. 320-10183 |
| | | | | SIZE A4 |
| | | | | REV. X2 |

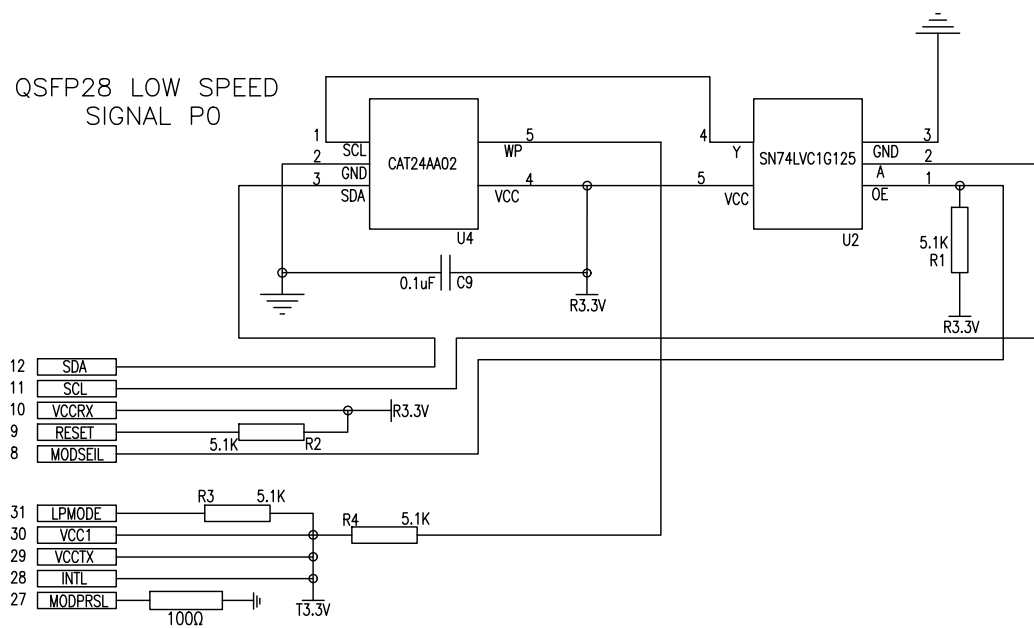
WIRING TABLE

| | | | |
|------|----------------------------|---|------|
| 26 | SFP BACKSHELL LABEL(壳标) | BACK SHELL LABEL, 23.5*9.6mm | 4 |
| 25 | CABLE LABEL(线标) | BLANK WHITE LABEL, 40*10 | 4 |
| 24 | QSFP BACKSHELL LABEL(壳标) | WHITE LABEL, PET, 29.5X9.5MM | 1 |
| 23 | SFP DUST COVER(防尘盖) | LDPE, NATURAL | 4 |
| 22 | CONDUCTIVE TAPE(导电布胶带) | W=10MM, T=0.05MM | A/R |
| 21 | SFP INNER MOLD(内模) | HOT-MELT GLUE | A/R |
| 20 | SFP SR(网尾) | PVC 45P BLACK | 4 |
| 19 | SFP RIVET(铆钉) | ALUMINIUM ALLOY | 8 |
| 18 | SFP EMI SHELL(EMI 弹片) | STAINLESS STEEL SUS301 | 4 |
| 17 | SFP PULL TAB(拉带) | PULL RING, PA66 S1300, SKY BLUE | 4 |
| 16 | SFP BOTTOM SHELL(下壳) | Zn ALLOY, PLATED Ni OVER Cu | 4 |
| 15 | SFP TOP SHELL(上壳) | Zn ALLOY, PLATED Ni OVER Cu | 4 |
| 14 | SFP28 PCB ASSEMBLY(PCB 成品) | SFP28 PCB, 38P, Au 30u"Min | 4 |
| 13 | QSFP DUST COVER(防尘盖) | LDPE, NATURAL | 1 |
| 12 | HEAT SHRINKABLE TUBE(热缩套管) | ø9.5MM, | A/R |
| 11 | QSFP INNER MOLD(内模) | HOT-MELT GLUE | A/R |
| 10 | QSFP BRASS BUCKLE(铜扣) | BRASS, PLATED Ni | 1 |
| 9 | QSFP COPPER RING(铜环) | COPPER, PLATED Ni | 1 |
| 8 | QSFP RIVET(铆钉) | ALUMINIUM ALLOY | 2 |
| 7 | QSFP SPRING(弹簧) | HANDED ROTATION, SWPB | 2 |
| 6 | QSFP PULL TAB(拉带) | PA66 S1300, SKY BLUE | 1 |
| 5 | QSFP LATCH(挂钩) | STAINLESS STEEL | 1 |
| 4 | QSFP BOTTOM SHELL(下壳) | Zn ALLOY, PLATED Ni OVER Cu | 1 |
| 3 | QSFP TOP SHELL(上壳) | Zn ALLOY, PLATED Ni OVER Cu | 1 |
| 2 | QSFP PCB ASSEMBLY(PCB 成品) | QSFP28 PCB, 38P, Au 30u"Min | 1 |
| 1 | SFP RAW CABLE(线材) | LEONI/BELDEN, 2PAIRS, BLACK, ROHS2.0, TABLE A | A/R |
| ITEM | NAME | DESCRIPTION | Q'TY |

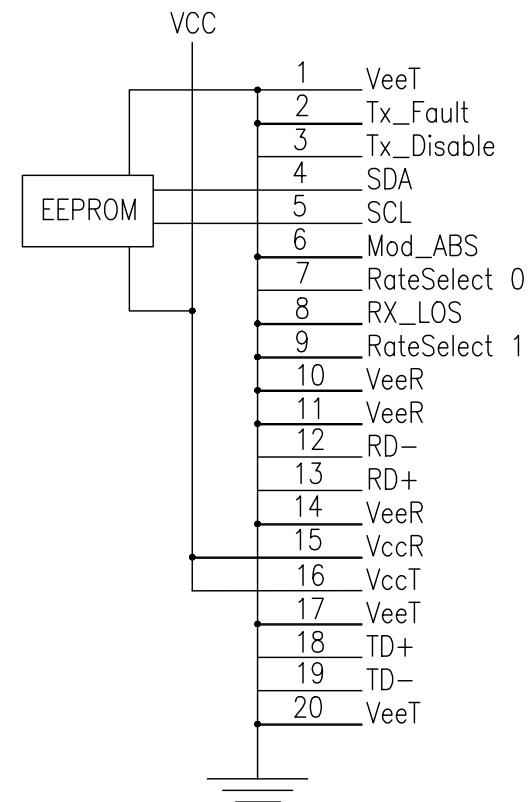


RoHS Compliant

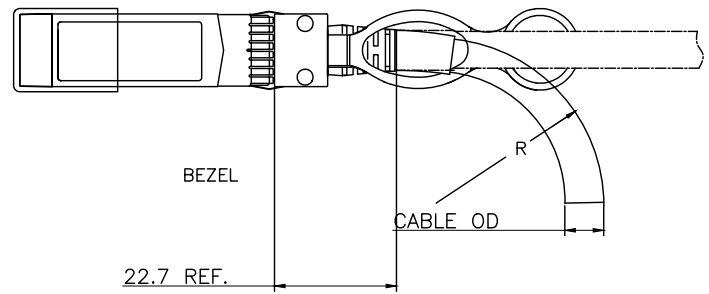
| | | | | |
|---|---|---------------|--------------------|-----------------------------|
| GENERAL TOLERANCE X± 0.50 .X± 0.20 .XX± 0.10 .XXX± 0.05 | ANGLE TOLERANCE X°± 5.0° .X°± 3.0° .XX°± 2.0° .XXX°± 1.0° | DRAWN KYLE | DATE 12/13/2018 | |
| MATERIAL SEE BOM | | CHECKED | DATE | |
| FINISH SEE NOTES | | APPROVED | DATE | PART NUMBER 320-10183-01 |
| SCALE N/A | UNIT mm | SHEET 2 OF 4 | | DRAWING NO. 320-10183 |
| | | | | SIZE A4 |
| | | | | REV. X2 |



SFP28 LOW SPEED
SIGNAL P1-P4



NOTE: VeeT=Veer

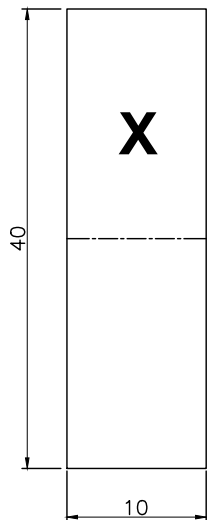


| CABLE GAUGE | CABLE "OD" | STATIC BEND RADIUS "R" | DYNAMIC BEND RADIUS "R" |
|-------------|------------|------------------------|-------------------------|
| 30AWG | 4.5MM | 22.5MM | 45MM |
| 26AWG | 5.1MM | 25.5MM | 51MM |

RoHS Compliant

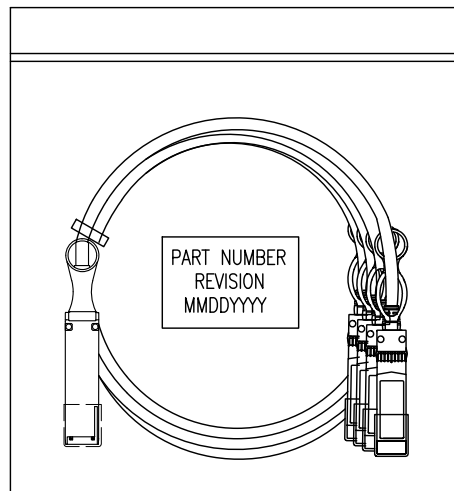
| | | | | |
|---|---|---------------|--------------------|-----------------------------|
| GENERAL TOLERANCE X ± 0.50 .X ± 0.20 .XX ± 0.10 .XXX ± 0.05 | ANGLE TOLERANCE X° ± 5.0° .X° ± 3.0° .XX° ± 2.0° .XXX° ± 1.0° | DRAWN KYLE | DATE 12/13/2018 | |
| MATERIAL SEE BOM | | CHECKED | DATE | |
| FINISH SEE NOTES | | APPROVED | DATE | PART NUMBER 320-10183-01 |
| SCALE N/A | UNIT mm | SHEET 3 OF 4 | | DRAWING NO. 320-10183 |
| | | | | SIZE A4 |
| | | | | REV. X2 |

25 CABLE LABEL(线标)

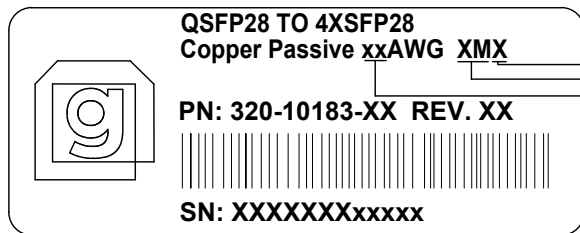


X: 1, 2, 3, 4

PACKAGING:



24/26 CONN. LABEL(壳标):



DIMENSION 1 OR 2
LENGTH IN METERS
WIRE GAUGE
PN AND REV,
128code:
XXXXXXXXxxxxx

| TABLE A | | | | |
|--------------|-----------|--------|------------|------------|
| PART NUMBER | WIRE TYPE | xx AWG | XM1 LENGTH | XM2 LENGTH |
| 320-10183-01 | PVC | 30 | 500±20 | |
| 320-10183-02 | PVC | 30 | 1000±30 | |
| 320-10183-03 | PVC | 30 | 2000±30 | |
| 320-10183-04 | PVC | 26 | 3000±40 | |
| 320-10183-05 | PVC | 30 | 3000±40 | |
| 320-10183-06 | PVC | 26 | 4000±40 | |
| 320-10183-07 | PVC | 26 | 5000±50 | |
| 320-10183-08 | LSZH | 30 | 500±20 | |
| 320-10183-09 | LSZH | 30 | 1000±30 | |
| 320-10183-10 | LSZH | 30 | 2000±30 | |
| 320-10183-11 | LSZH | 26 | 3000±40 | |
| 320-10183-12 | LSZH | 30 | 3000±40 | |
| 320-10183-13 | LSZH | 26 | 4000±40 | |
| 320-10183-14 | LSZH | 26 | 5000±50 | |
| 320-10183-15 | PVC | 30 | | 500±20 |
| 320-10183-16 | PVC | 30 | | 1000±30 |
| 320-10183-17 | PVC | 30 | | 2000±30 |
| 320-10183-18 | PVC | 26 | | 3000±40 |
| 320-10183-19 | PVC | 30 | | 3000±40 |
| 320-10183-20 | PVC | 26 | | 4000±40 |
| 320-10183-21 | PVC | 26 | | 5000±50 |
| 320-10183-22 | LSZH | 30 | | 500±20 |
| 320-10183-23 | LSZH | 30 | | 1000±30 |
| 320-10183-25 | LSZH | 30 | | 2000±30 |
| 320-10183-26 | LSZH | 26 | | 3000±40 |
| 320-10183-27 | LSZH | 30 | | 3000±40 |
| 320-10183-28 | LSZH | 26 | | 4000±40 |
| 320-10183-29 | LSZH | 26 | | 5000±50 |
| 320-10183-30 | PVC | 28 | 3000±40 | |
| 320-10183-31 | PVC | 28 | 4000±40 | |
| 320-10183-32 | PVC | 28 | 5000±50 | |
| 320-10183-33 | LSZH | 28 | 3000±40 | |
| 320-10183-34 | LSZH | 28 | 4000±40 | |
| 320-10183-35 | LSZH | 28 | 5000±50 | |
| 320-10183-36 | PVC | 28 | | 3000±40 |
| 320-10183-37 | PVC | 28 | | 4000±40 |
| 320-10183-38 | PVC | 28 | | 5000±50 |
| 320-10183-39 | LSZH | 28 | | 3000±40 |
| 320-10183-40 | LSZH | 28 | | 4000±40 |
| 320-10183-41 | LSZH | 28 | | 5000±50 |

RoHS Compliant

| | | | | |
|--|---|---------------|--------------------|-----------------------------|
| GENERAL TOLERANCE X.± 0.50 .X± 0.20 .XX± 0.10 .XXX± 0.05 | ANGLE TOLERANCE X°± 5.0° .X°± 3.0° .XX°± 2.0° .XXX°± 1.0° | DRAWN KYLE | DATE 12/13/2018 | |
| MATL FINISH | SEE BOM SEE NOTES | CHECKED | DATE | |
| SCALE N/A | UNIT mm | APPROVED | DATE | PART NUMBER 320-10183-01 |
| SHEET 4 OF 4 | | | | DRAWING NO. 320-10183 |
| | | | | SIZE A4 REV. X2 |