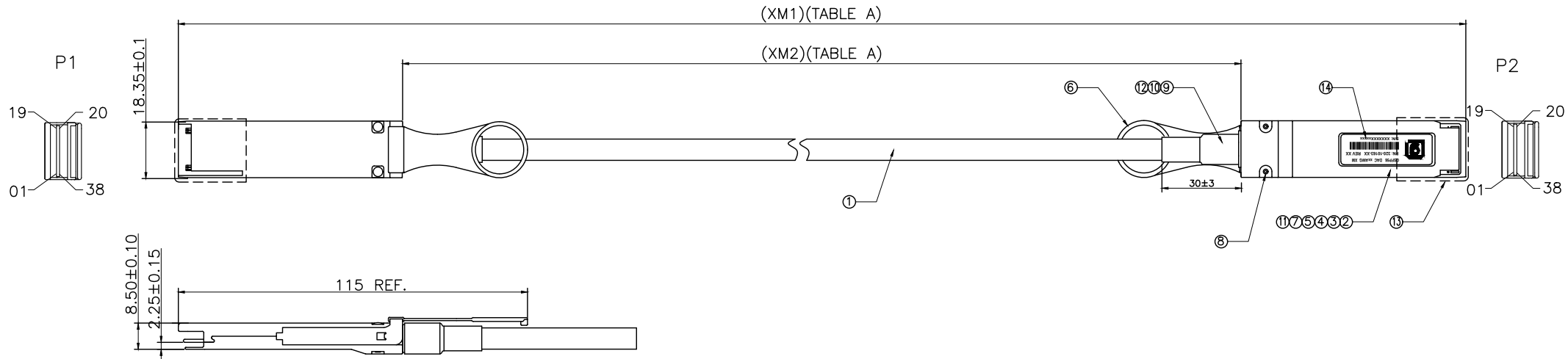


PROPRIETARY INFORMATION  
COMPANY CONFIDENTIAL

REV.	ECN. NO.	DESCRIPTION	ENG	DATE
X1		FIRST ISSUE	KYLE	09/19/2018
X2		UPDATE PART NUMBER TABLE	KYLE	12/04/2018



NOTE(注释):

- CABLE ASSEMBLY IMPEDANCE: 100±10 ohm.  
成品特性阻抗: 100±10 欧姆
- 100% CONDUCTOR TEST, TEST CONDITION: VOLTAGE 5V, INSULATION RESISTANCE 10M ohm, CONDUCTION RESISTANCE MAX 3 ohm  
100% 导通测试, 测试条件为电压5V, 绝缘10M欧姆, 导通电阻不大于3欧姆
- HIGH-FREQUENCY TEST ACCORDING TO IEEE802.3 STANDARD.  
高频测试依照IEEE802.3标准测试
- ALL MATERIAL MUST COMPLY WITH ROHS2.0.  
所有物料必须符合ROHS2.0

14	CONN. LABEL(壳标)	BACK SHELL LABEL, 29.5*9.6mm	2
13	DUST COVER(防尘盖)	LDPE, NATURAL	2
12	HEAT SHRINKABLE TUBE(热缩套管)	∅9.5MM,	A/R
11	INNER MOLD(内模)	HOT-MELT GLUE	A/R
10	BRASS BUCKLE(铜扣)	BRASS, PLATED Ni	2
9	COPPER RING(铜环)	COPPER, PLATED Ni	2
8	RIVET(铆钉)	ALUMINIUM ALLOY	4
7	SPRING(弹簧)	HANDED ROTATION, SWPB	4
6	PULL TAB(拉带)	PA66 S1300, SKY BLUE	2
5	LATCH(挂钩)	STAINLESS STEEL	2
4	BOTTOM SHELL(下壳)	Zn ALLOY, PLATED Ni OVER Cu	2
3	TOP SHELL(上壳)	Zn ALLOY, PLATED Ni OVER Cu	2
2	PCB ASSEMBLY(PCB 成品)	QSFP56 PCB, 38P, Au 30u"Min	2
1	RAW CABLE(线材)	8PAIRS, PVC, BLACK, ROHS2.0	A/R
ITEM	NAME	DESCRIPTION	Q'TY

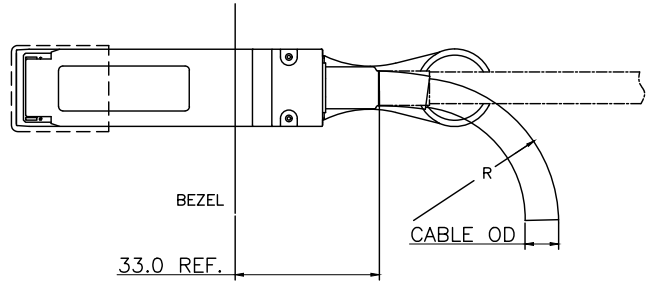
RoHS Compliant

GENERAL TOLERANCE X.± 0.50 .X± 0.20 .XX± 0.10 .XXX± 0.05	ANGLE TOLERANCE X°± 5.0° .X°± 3.0° .XX°± 2.0° .XXX°± 1.0°	DRAWN KYLE	DATE 12/04/2018	
MATERIAL: SEE BOM		CHECKED	DATE	
FINISH: SEE NOTES		APPROVED	DATE	TITLE: QSFP56 TO QSFP56, 200G, DAC
SCALE: N/A	UNIT: mm			PART NUMBER: 320-10163-XX
SHEET 1 OF 3				DRAWING NO. 320-10163
				SIZE: A4 REV: X2

REV.	ECN. NO.	DESCRIPTION	ENG	DATE
		REFER TO PAGE 1		

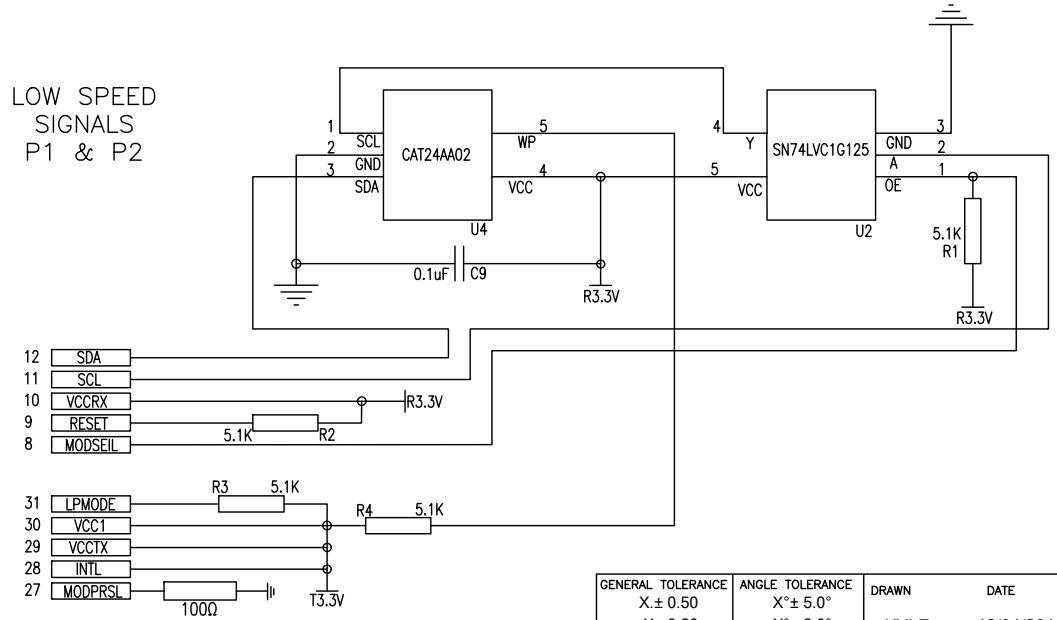
WIRING TABLE

P1		P2	
GND(TX)	01	20	GND(RX)
TX2n	02	21	RX2n
TX2p	03	22	RX2p
GND(TX)	04	23	GND(RX)
TX4n	05	24	RX4n
TX4p	06	25	RX4p
GND(TX)	07	26	GND(RX)
GND(RX)	13	32	GND(TX)
RX3p	14	33	TX3p
RX3n	15	34	TX3n
GND(RX)	16	35	GND(TX)
RX1p	17	36	TX1p
RX1n	18	37	TX1n
GND(RX)	19	38	GND(TX)
GND(RX)	20	01	GND(TX)
RX2n	21	02	TX2n
RX2p	22	03	TX2p
GND(RX)	23	04	GND(TX)
RX4n	24	05	TX4n
RX4p	25	06	TX4p
GND(RX)	26	07	GND(TX)
GND(TX)	32	13	GND(RX)
TX3p	33	14	RX3p
TX3n	34	15	RX3n
GND(TX)	35	16	GND(RX)
TX1p	36	17	RX1p
TX1n	37	18	RX1n
GND(TX)	38	19	GND(RX)



CABLE GAUGE	CABLE "OD"	STATIC BEND RADIUS "R"	DYNAMIC BEND RADIUS "R"
30AWG	6.1MM	30.5MM	61MM
26AWG	8.7MM	43.5MM	87MM
28AWG	7.1MM	35.5MM	71MM

LOW SPEED SIGNALS  
P1 & P2

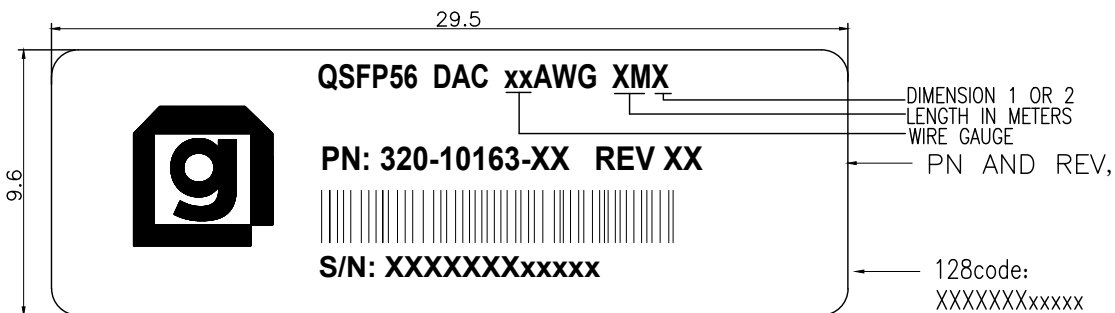


RoHS Compliant

GENERAL TOLERANCE X.± 0.50 .X± 0.20 .XX± 0.10 .XXX± 0.05	ANGLE TOLERANCE X°± 5.0° .X°± 3.0° .XX°± 2.0° .XXX°± 1.0°	DRAWN KYLE	DATE 12/04/2018	
MATERIAL SEE BOM		CHECKED	DATE	
FINISH SEE NOTES		APPROVED	DATE	PART NUMBER 320-10163-XX
SCALE N/A	UNIT mm	SHEET 2 OF 3		DRAWING NO. 320-10163
				SIZE A4
				REV. X2

REV.	ECN. NO.	DESCRIPTION	ENG	DATE
		REFER TO PAGE 1		

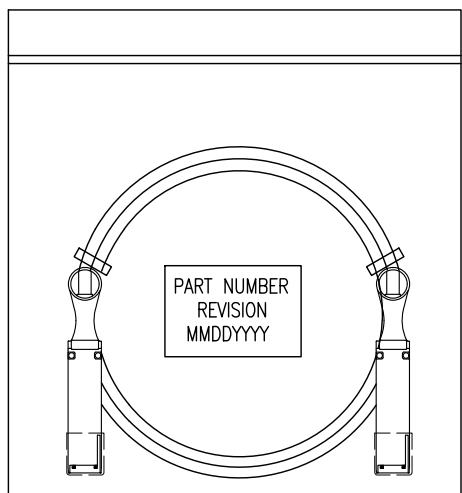
CONN. LABEL(壳标):



S/N: XXXXXXXXxxxxxx

5位流水号  
7位PO NO. 订单号

PACKAGING:



PART NUMBER	WIRE TYPE	xx AWG	XM1 LENGTH	XM2 LENGTH
320-10163-01	PVC	30	500±20	
320-10163-02	PVC	30	1000±30	
320-10163-03	PVC	30	1500±30	
320-10163-04	PVC	30	2000±30	
320-10163-05	PVC	26	3000±30	
320-10163-06	LSZH	30	500±20	
320-10163-07	LSZH	30	1000±30	
320-10163-08	LSZH	30	1500±30	
320-10163-09	LSZH	30	2000±30	
320-10163-10	LSZH	26	3000±30	
320-10163-11	PVC	30		500±20
320-10163-12	PVC	30		1000±30
320-10163-13	PVC	30		1500±30
320-10163-14	PVC	30		2000±30
320-10163-15	PVC	26		3000±30
320-10163-16	LSZH	30		500±20
320-10163-17	LSZH	30		1000±30
320-10163-18	LSZH	30		1500±30
320-10163-19	LSZH	30		2000±30
320-10163-20	LSZH	26		3000±30
320-10163-21	PVC	28	2000±30	
320-10163-22	PVC	28	2500±30	
320-10163-23	LSZH	28	2000±30	
320-10163-24	LSZH	28	2500±30	
320-10163-25	PVC	28		2000±30
320-10163-26	PVC	28		2500±30
320-10163-27	LSZH	28		2000±30
320-10163-28	LSZH	28		2500±30

RoHS Compliant

GENERAL TOLERANCE X.± 0.50 .X± 0.20 .XX± 0.10 .XXX± 0.05	ANGLE TOLERANCE X°± 5.0° .X°± 3.0° .XX°± 2.0° .XXX°± 1.0°	DRAWN KYLE	DATE 12/04/2018		
MATL SEE BOM	FINISH SEE NOTES	CHECKED	DATE		TITLE QSFP56 TO QSFP56, 200G, DAC
SCALE N/A	UNIT mm	APPROVED	DATE		PART NUMBER 320-10163-XX
SHEET 3 OF 3					DRAWING NO. 320-10163
				SIZE A4	
				REV. X2	