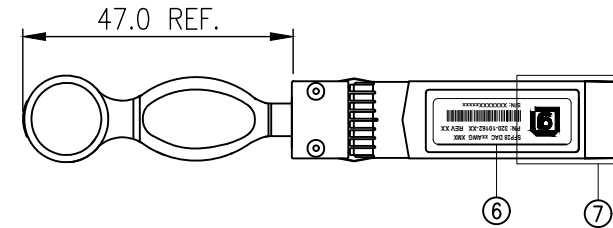
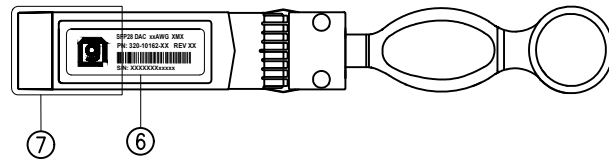
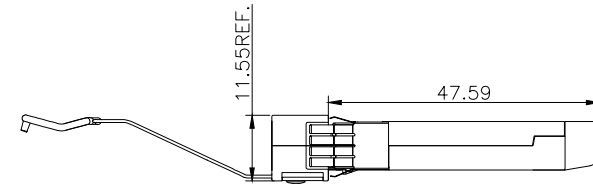
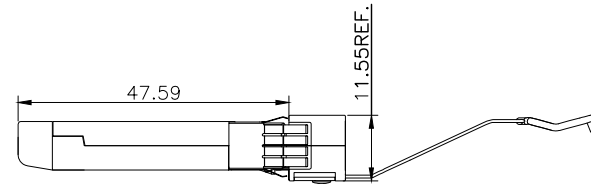


P1



P2

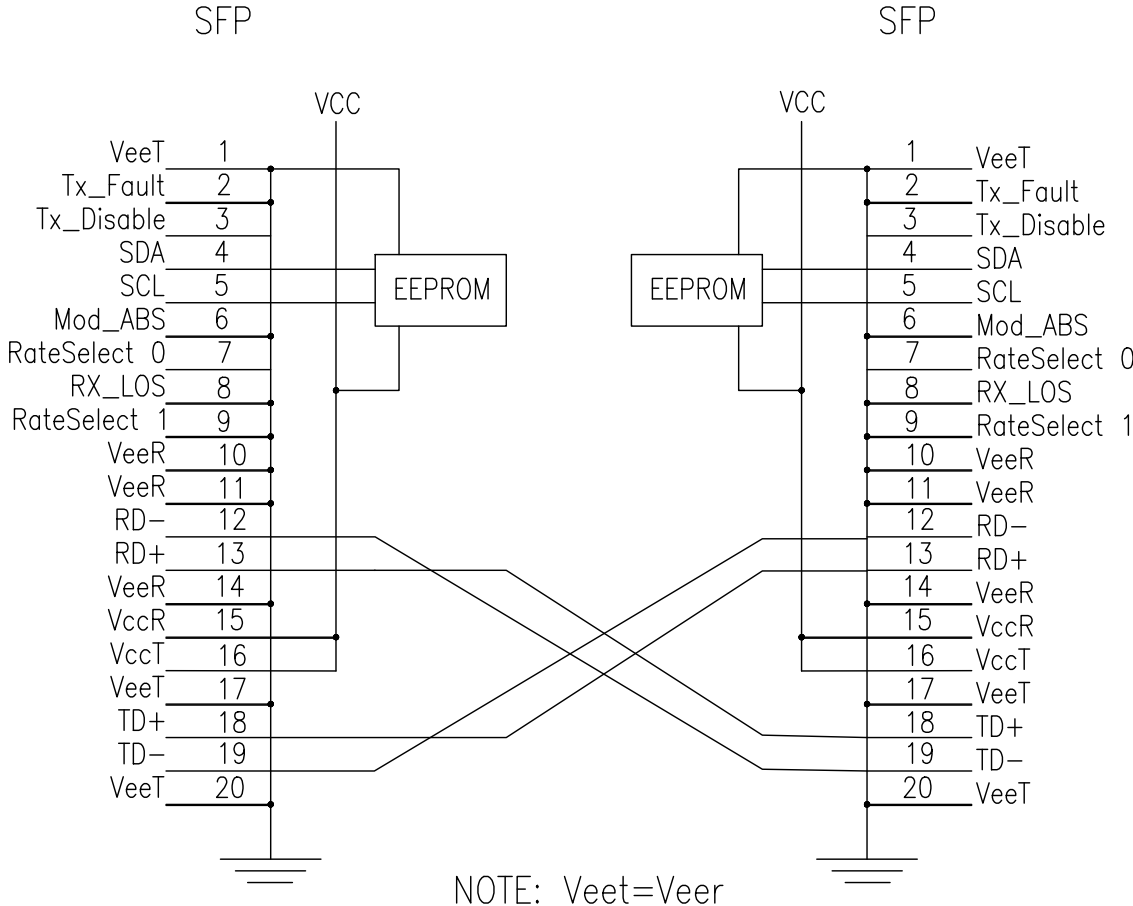


NOTE(注释):

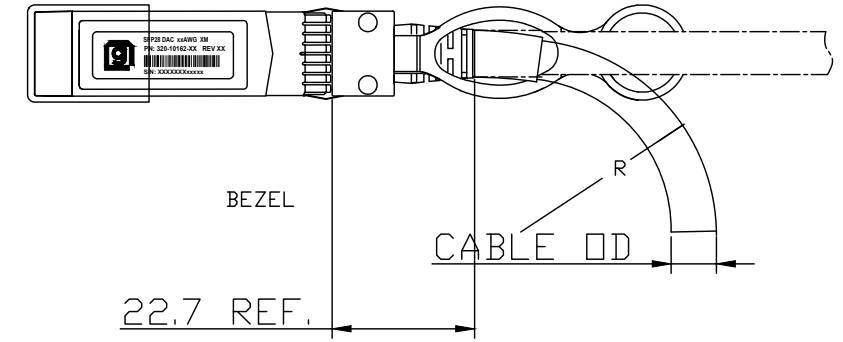
1. CABLE ASSEMBLY IMPEDANCE: 100±10 ohm.
成品特性阻抗: 100±10 欧姆
2. 100% CONDUCTOR TEST, TEST CONDITION:VOLTAGE 5V,INSULTION RESISTANCE 10M ohm,
CONDUCTION RESISTANCE MAX 3 ohm
100% 导通测试, 测试条件为电压5V, 绝缘10M欧姆, 导通电阻不大于3欧姆
3. HIGH-FREQUENCY TEST ACCORDING TO IEEE802.3 STANDARD.
高频测试依照IEEE802.3标准测试
4. ALL MATERIAL MUST COMPLY WITH ROHS2.0.
所有物料必须符合ROHS2.0

7	DUST COVER	2	DUST COVER FOR SFP, PE, NATURAL	
6	SHELL	2	SHELL BARCODE LABELS	
5	MOLDING	2	INNER MOLDING FOR SFP	
4	STRAIN RELIEF	2	CABLE SR FOR SFP	
3	PCB	2	SFP PCB	
2	CONNECTOR	2	SFP CONNECTOR	
1	CABLE	A/R	TABLE A, WIRE TYPE, WIRE GAUGE	
ITEM	NAME	Q'TY	DESCRIPTION	NOTE
1				
2				
3				
4				
5				

GENERAL TOLERANCE X.± .X±0.40 .XX±0.30 .XXX±0.20	ANGLE TOLERANCE X°± .X°± .XX°± .XXX°±	DRAWN KYLE	DATE 8/30/2018	
MATL SEE BOM	FINISH SEE NOTES	CHECKED	DATE	
SCALE N/A	UNIT mm	APPROVED	DATE	TITLE SFP28 TO SFP28, 25G, DAC
SHEET 1 OF 3				PART NUMBER. 320-10162-XX
				DRAWING NO. 320-10162
				SIZE A4 REV. X1



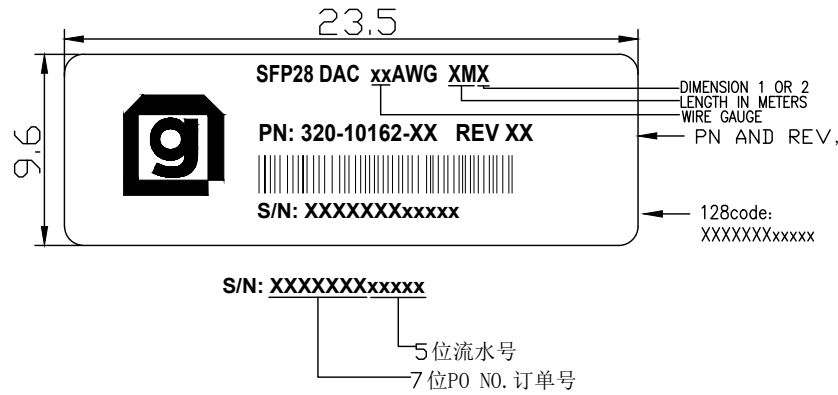
NOTE: VeeT=Veer



CABLE GAUGE	CABLE "OD"	STATIC BEND RADIUS "R"	DYNAMIC BEND RADIUS "R"
30AWG	4.5MM	22.5MM	45MM
26AWG	5.1MM	25.5MM	51MM

GENERAL TOLERANCE X± .X±0.40 .XX±0.30 .XXX±0.20	ANGLE TOLERANCE X°± .X°± .XX°± .XXX°±	DRAWN KYLE	DATE 8/30/2018	
FINISH SEE NOTES		DESIGN	DATE	
MATERIAL SEE BOM		CHECKED	DATE	PART NUMBER 320-10162-XX
SCALE N/A	UNIT mm	APPROVED	DATE	DRAWING NO. 320-10162
SHEET 2 OF 3				SIZE A4 REV. X1

CONN. LABEL (壳标):



PACKAGING:

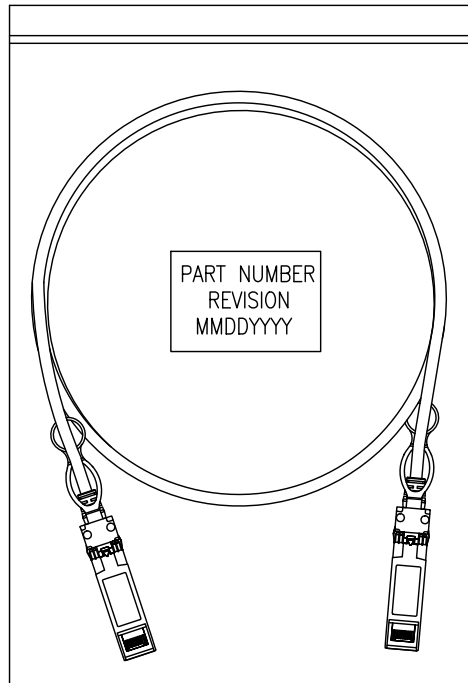


TABLE A				
PART NUMBER	WIRE TYPE	xx AWG	XM1 LENGTH	XM2 LENGTH
320-10162-01	PVC	30	500±20	
320-10162-02	PVC	30	1000±30	
320-10162-03	PVC	30	1500±30	
320-10162-04	PVC	30	2000±30	
320-10162-05	PVC	30	2500±30	
320-10162-06	PVC	26	2500±30	
320-10162-07	PVC	30	3000±40	
320-10162-08	PVC	26	3000±40	
320-10162-09	PVC	26	5000±50	
320-10162-10	LSZH	30	500±20	
320-10162-11	LSZH	30	1000±30	
320-10162-12	LSZH	30	1500±30	
320-10162-13	LSZH	30	2000±30	
320-10162-14	LSZH	30	2500±30	
320-10162-15	LSZH	26	2500±30	
320-10162-16	LSZH	30	3000±40	
320-10162-17	LSZH	26	3000±40	
320-10162-18	LSZH	26	5000±50	
320-10162-19	PVC	30		500±20
320-10162-20	PVC	30		1000±30
320-10162-21	PVC	30		1500±30
320-10162-22	PVC	30		2000±30
320-10162-23	PVC	30		2500±30
320-10162-24	PVC	26		2500±30
320-10162-25	PVC	30		3000±40
320-10162-26	PVC	26		3000±40
320-10162-27	PVC	26		5000±50
320-10162-28	LSZH	30		500±20
320-10162-29	LSZH	30		1000±30
320-10162-30	LSZH	30		1500±30
320-10162-31	LSZH	30		2000±30
320-10162-32	LSZH	30		2500±30
320-10162-33	LSZH	26		2500±30
320-10162-34	LSZH	30		3000±40
320-10162-35	LSZH	26		3000±40
320-10162-36	LSZH	26		5000±50

GENERAL TOLERANCE X± .X±0.40 .XX±0.30 .XXX±0.20	ANGLE TOLERANCE X°± .X°± .XX°± .XXX°±	DRAWN KYLE	DATE 8/30/2018	
MATERIAL SEE BOM		DESIGN	DATE	
FINISH SEE NOTES		CHECKED	DATE	PART NUMBER: 320-10162-XX
SCALE N/A	UNIT mm	APPROVED	DATE	DRAWING NO. 320-10162
SHEET 3 OF 3				SIZE A4 REV. X1