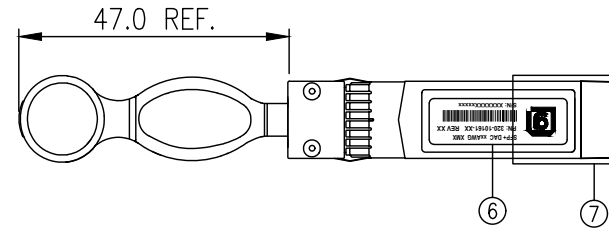
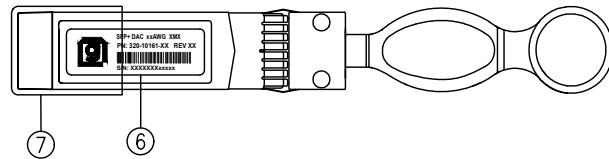
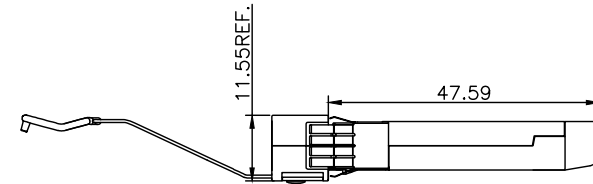
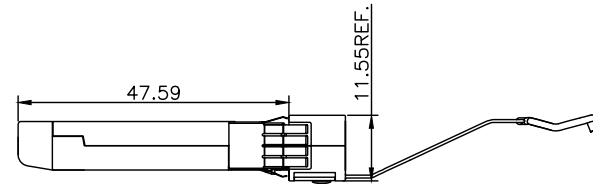


P1



P2

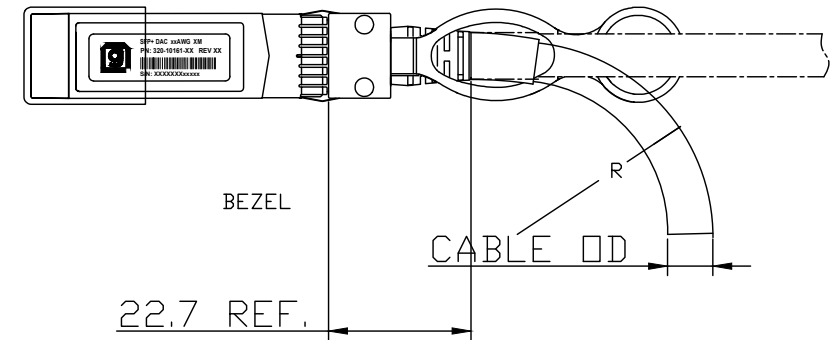
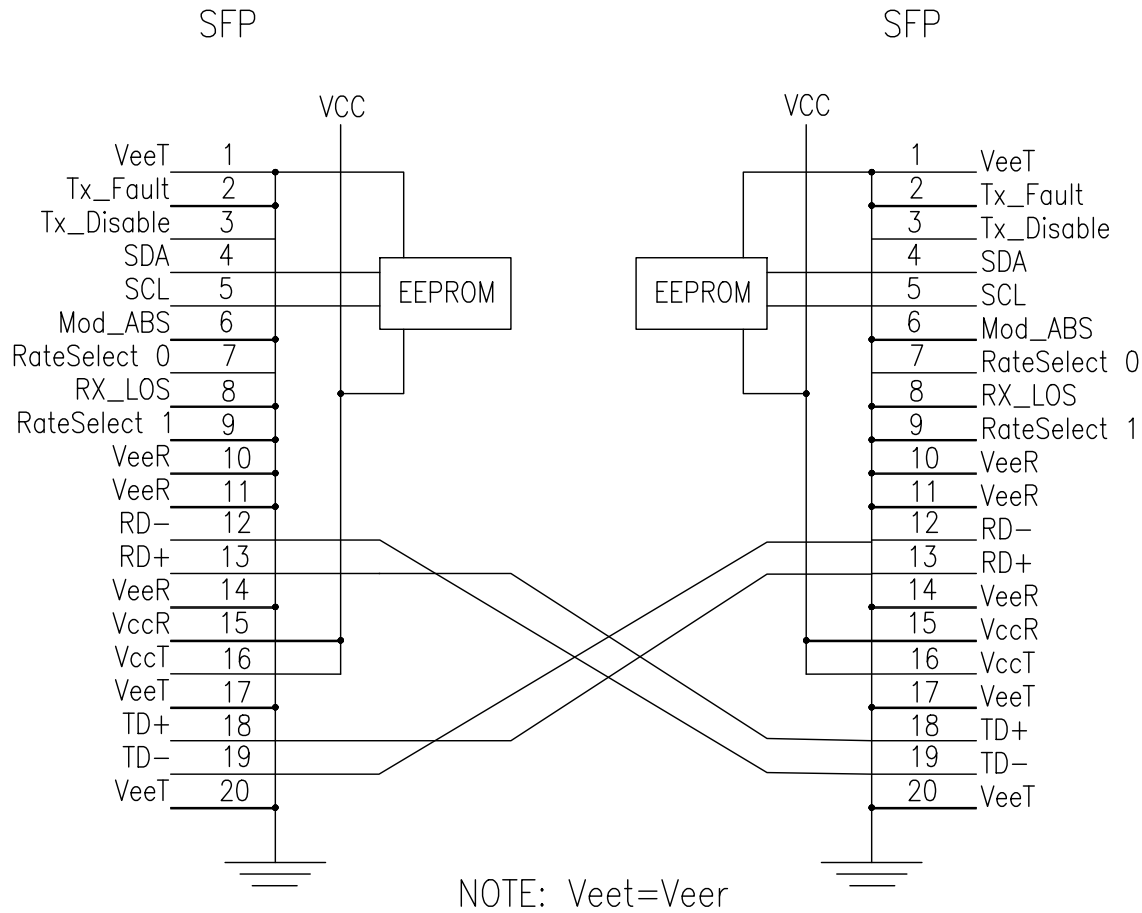


NOTE(注释):

- CABLE ASSEMBLY IMPEDANCE: 100±10 ohm.
成品特性阻抗: 100±10 欧姆
- 100% CONDUCTOR TEST, TEST CONDITION:VOLTAGE 5V,INSULTION RESISTANCE 10M ohm, CONDUCTION RESISTANCE MAX 3 ohm
100% 导通测试, 测试条件为电压5V, 绝缘10M欧姆, 导通电阻不大于3欧姆
- HIGH-FREQUENCY TEST ACCORDING TO IEEE802.3 STANDARD.
高频测试依照IEEE802.3标准测试
- ALL MATERIAL MUST COMPLY WITH ROHS2.0.
所有物料必须符合ROHS2.0

7	DUST COVER	2	DUST COVER FOR SFP, PE, NATURAL	
6	SHELL	2	SHELL BARCODE LABELS	
5	MOLDING	2	INNER MOLDING FOR SFP	
4	STRAIN RELIEF	2	CABLE SR FOR SFP	
3	PCB	2	SFP PCB	
2	CONNECTOR	2	SFP CONNECTOR	
1	CABLE	A/R	TABLE A, WIRE TYPE, WIRE GAUGE	
ITEM	NAME	Q'TY	DESCRIPTION	NOTE
1				
2				
3				
4				
5				

GENERAL TOLERANCE X.± .X±0.40 .XX±0.30 .XXX±0.20	ANGLE TOLERANCE X°± .X°± .XX°± .XXX°±	DRAWN KYLE	DATE 8/30/2018	
MATL SEE BOM	FINISH SEE NOTES	CHECKED	DATE	
SCALE N/A	UNIT mm	APPROVED	DATE	PART NUMBER 320-10161-XX
SHEET 1 OF 3				DRAWING NO. 320-10161
				SIZE A4 REV. X1



CABLE GAUGE	CABLE "OD"	STATIC BEND RADIUS "R"	DYNAMIC BEND RADIUS "R"
30AWG	4.5MM	22.5MM	45MM
26AWG	5.1MM	25.5MM	51MM

GENERAL TOLERANCE X± .X±0.40 .XX±0.30 .XXX±0.20	ANGLE TOLERANCE X°± .X°± .XX°± .XXX°±	DRAWN KYLE	DATE 8/30/2018		TITLE SFP+ ASSEMBLY
FINISH SEE NOTES		CHECKED	DATE		PART NUMBER 320-10161-XX
SCALE N/A	UNIT mm	APPROVED	DATE	DRAWING NO. 320-10161	SIZE A4 REV. X1
SHEET 2 OF 3					

CONN. LABEL (壳标):



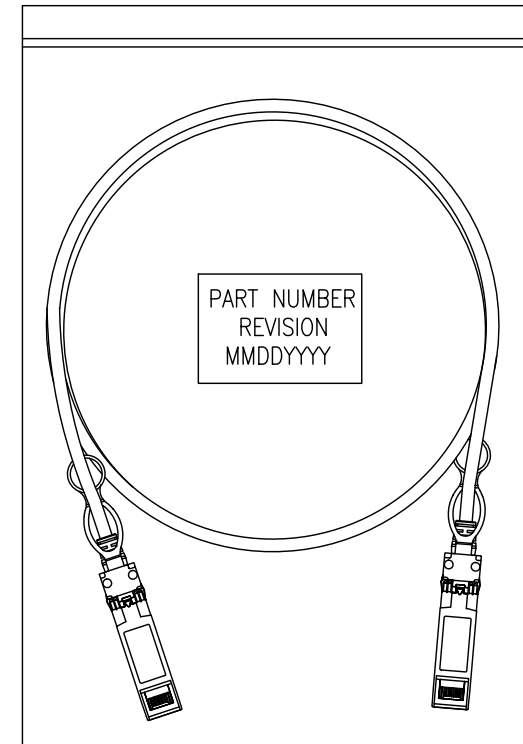
S/N: XXXXXXXxxxxxx

5位流水号
7位PO NO. 订单号

TABLE A

PART NUMBER	WIRE TYPE	xx AWG	XM1 LENGTH	XM2 LENGTH
320-10161-01	PC-PVC	26	5000±50	
320-10161-02	PC-PVC	30	500±20	
320-10161-03	PC-PVC	30	1000±30	
320-10161-04	PC-PVC	30	2000±30	
320-10161-05	PC-PVC	30	3000±40	
320-10161-06	LS-LSZH	26	5000±50	
320-10161-07	LS-LSZH	30	500±20	
320-10161-08	LS-LSZH	30	1000±30	
320-10161-09	LS-LSZH	30	2000±30	
320-10161-10	LS-LSZH	30	3000±40	
320-10161-11	PC-PVC	26		5000±50
320-10161-12	PC-PVC	30		500±20
320-10161-13	PC-PVC	30		1000±30
320-10161-14	PC-PVC	30		2000±30
320-10161-15	PC-PVC	30		3000±40
320-10161-16	LS-LSZH	26		5000±50
320-10161-17	LS-LSZH	30		500±20
320-10161-18	LS-LSZH	30		1000±30
320-10161-19	LS-LSZH	30		2000±30
320-10161-20	LS-LSZH	30		3000±40

PACKAGING:



GENERAL TOLERANCE X± .X±0.40 .XX±0.30 .XXX±0.20	ANGLE TOLERANCE X°± .X°± .XX°± .XXX°±	DRAWN KYLE	DATE 8/30/2018	
FINISH SEE NOTES		DESIGN	DATE	
MATERIAL SEE BOM		CHECKED	DATE	PART NUMBER 320-10161-XX
SCALE N/A	UNIT mm	APPROVED	DATE	DRAWING NO. 320-10161
SHEET 3 OF 3				SIZE A4 REV. X1