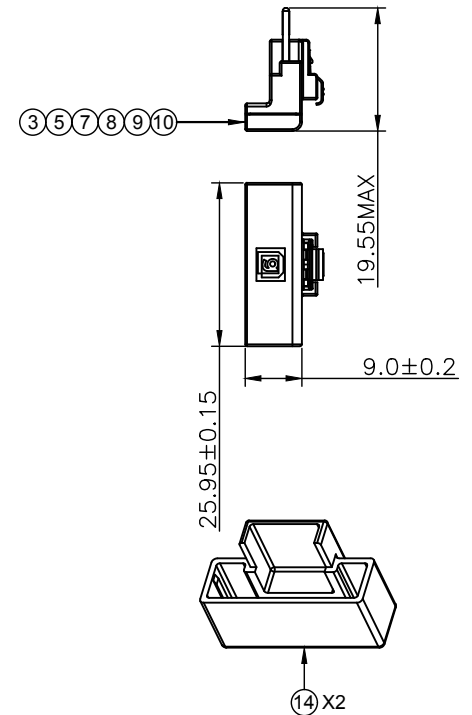
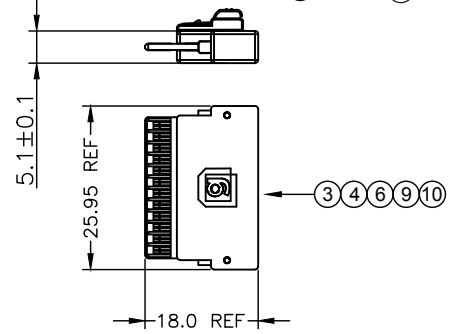
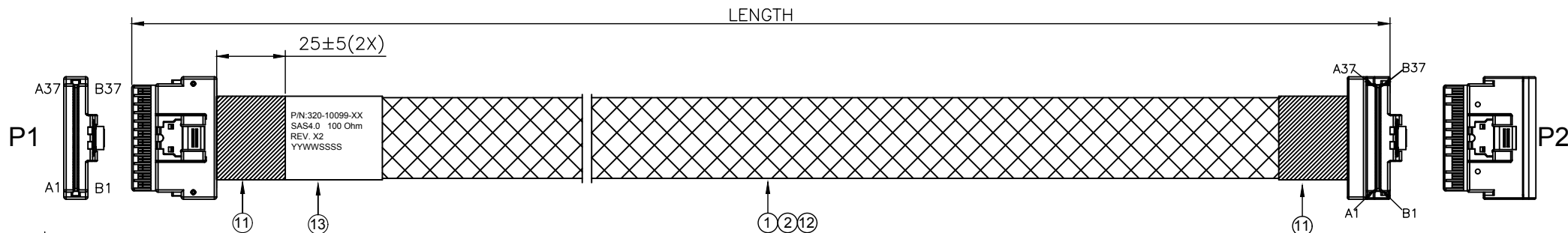


PROPRIETARY INFORMATION  
COMPANY CONFIDENTIAL

REV.	ECN. NO.	DESCRIPTION	ENG	DATE
X1		ISSUED	KYLE	6/11/2018
X2		CHANGE HOUSING, UPDATE WIRE LENGTHS	SHAWN	10/22/2018



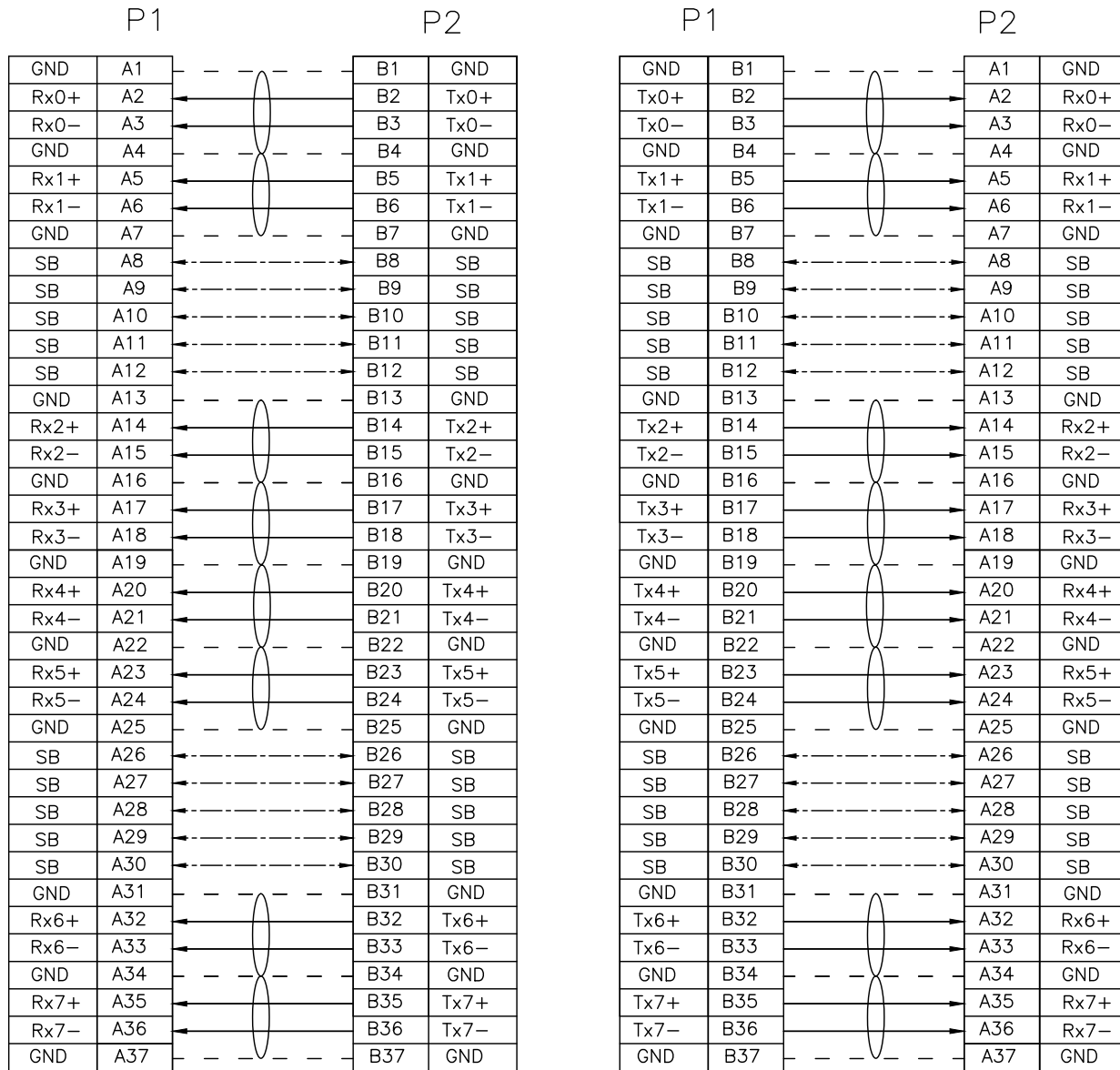
GENESIS P/N	LENGTH(mm)	TOLERANCE(mm)
320-10099-01	152	±10
320-10099-02	300	±10
320-10099-03	500	±15
320-10099-04	700	±15
320-10099-05	1000	±15

14	DUST CAP	2	DUST CAP FOR SFF-8654 8i, PE, NATURAL	
13	LABEL	1	WHITE LABEL, 60*30MM(REF)	
12	WEAVE	A/R	PLASTIC BRAID SLEEVE, PET, BLACK,OD:10.0MM	
11	ACETATE TAPE	A/R	ACETATE TAPE, W=25MM, BLACK	
10	RIVET	4	RIVET FOR SFF-8654	
9	LATCH	2	LATCH FOR SFF-8654	
8	BACK COVER	1	BACK COVER FOR SFF-8654 8i R/A, BLACK	
7	HOUSING	1	HOUSING FOR SFF-8654 8i R/A, BLACK	
6	HOUSING	1	HOUSING FOR SFF-8654 8i STR, BLACK	
5	INNER MOLD	1	INNER MOLDING FOR SFF-8654 8i R/A, BLACK	
4	INNER MOLD	1	INNER MOLDING FOR SFF-8654 8i STR, BLACK	
3	8654 8i PCB	2	PCB FOR SLIMLINE SAS 8i STR, AU30u"	
2	FLAT CABLE	A/R	FLAT CABLE 32AWG*5C, RED/BLACK	
1	SAS CABLE	A/R	SAS4 CABLE, 24G 32 AWG	
ITEM	NAME	Q'TY	DESCRIPTION	NOTE

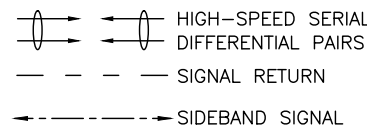
RoHS Compliant

GENERAL TOLERANCE X ± .X ± 0.40 .XX ± 0.30 .XXX ± 0.20	ANGLE TOLERANCE X° ± 5.0° .X° ± 3.0° .XX° ± 2.0° .XXX° ± 1.0°	DRAWN SHAWN	DATE 10/22/2018	 <b>genesis</b> connected solutions	TITLE SlimSAS 8i STR TO RAD Cable Ass'Y SAS4.0 100 Ohm
MATERIAL		CHECKED	DATE		PART NUMBER 320-10099-XX
SCALE N/A	UNIT mm	APPROVED	DATE	DRAWING NO. 320-10099	SIZE A4 REV. X2
SHEET 1 OF 2					

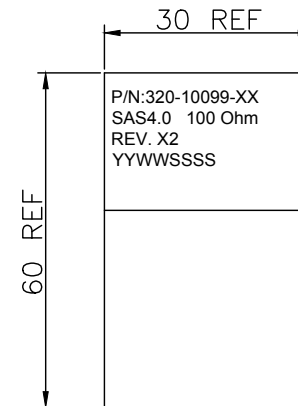
### WIRING TABLE



A1,A4,A7,A13,A16,A19,A22,A25,A31,A34,A37,  
B1,B4,B7,B13,B16,B19,B22,B25,B31,B34,B37 Grounded on PCB



### LABEL INFORMATION



FONT: ARIAL  
HEIGHT: 2.0mm Min

### TEST CONDITIONS:

- 100% OPEN & SHORT & MISS-WIRING & INTERMITTENCE TEST.
- CONDUCTIVE RESISTANCE: 3Ω MAX.
- INSULATION RESISTANCE: 10 MΩ
- HI-POT TEST: 300VDC FOR 10ms.
- THIS PRODUCT MEETS SAS 4.0

RoHS Compliant

GENERAL TOLERANCE X ± .X ± 0.40 .XX ± 0.30 .XXX ± 0.20	ANGLE TOLERANCE X° ± 5.0° .X° ± 3.0° .XX° ± 2.0° .XXX° ± 1.0°	DRAWN SHAWN	DATE 10/22/2018		TITLE SlimSAS 8i STR TO RAD Cable Ass'Y SAS4.0 100 Ohm
MATL	FINISH	CHECKED	DATE		PART NUMBER 320-10099-XX
SCALE N/A	UNIT mm	APPROVED	DATE	DRAWING NO. 320-10099	SIZE A4 REV. X2
SHEET 2 OF 2					