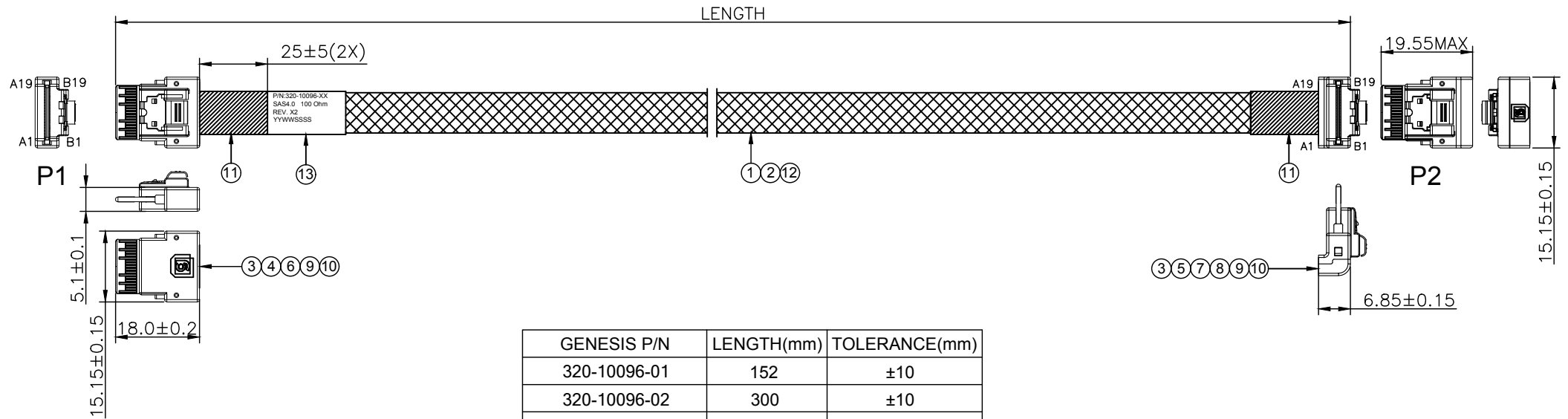


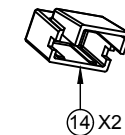
PROPRIETARY INFORMATION
COMPANY CONFIDENTIAL

REV.	ECN. NO.	DESCRIPTION	ENG	DATE
X1		ISSUED	KYLE	6/11/2018
X2		Update Length Options	KYLE	11/13/2018



GENESIS P/N	LENGTH(mm)	TOLERANCE(mm)
320-10096-01	152	±10
320-10096-02	300	±10
320-10096-03	500	±15
320-10096-04	700	±15
320-10096-05	1000	±15

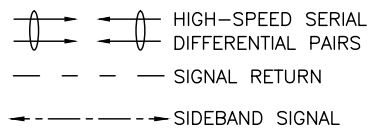
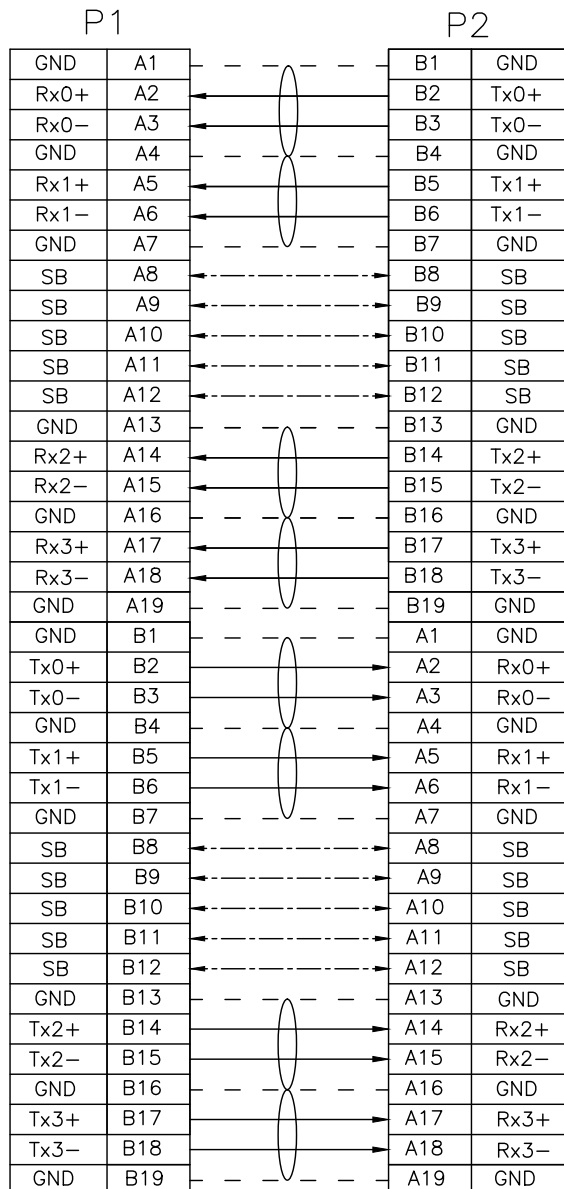
14	DUST CAP	2	DUST CAP FOR SFF-8654 4i, PE, NATURAL	
13	LABEL	1	WHITE LABEL, 60*30MM(REF)	
12	WEAVE	A/R	PLASTIC BRAID SLEEVE, PET, BLACK,OD:8.0MM	
11	ACETATE TAPE	A/R	ACETATE TAPE, W=25MM, BLACK	
10	RIVET	4	RIVET FOR SFF-8654	
9	LATCH	2	LATCH FOR SFF-8654	
8	BACK COVER	1	BACK COVER FOR SFF-8654 4i R/A, BLACK	
7	HOUSING	1	HOUSING FOR SFF-8654 4i R/A, BLACK	
6	HOUSING	1	HOUSING FOR SFF-8654 4i STR, BLACK	
5	INNER MOLD	1	INNER MOLDING FOR SFF-8654 4i R/A, BLACK	
4	INNER MOLD	1	INNER MOLDING FOR SFF-8654 4i STR, BLACK	
3	8654 4i PCB	2	PCB FOR SLIMLINE SAS 4i STR, AU30u"	
2	FLAT CABLE	A/R	FLAT CABLE 32AWG*5C, RED/BLACK	
1	SAS CABLE	A/R	SAS4.0 CABLE: UL20744 (32AWG*2C+2D)+AM, BLUE, 100 Ohm	
ITEM	NAME	Q'TY	DESCRIPTION	NOTE



RoHS Compliant

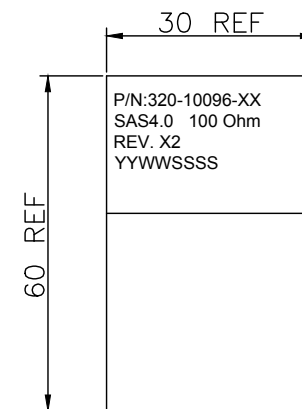
GENERAL TOLERANCE X ± .X ± 0.40 .XX ± 0.30 .XXX ± 0.20	ANGLE TOLERANCE X° ± 5.0° .X° ± 3.0° .XX° ± 2.0° .XXX° ± 1.0°	DRAWN KYLE	DATE 11/13/2018	 genesis connected solutions
MATERIAL SEE BOM		CHECKED	DATE	
FINISH SEE BOM		APPROVED		PART NUMBER 320-10096-XX
SCALE N/A	UNIT mm	DATE		DRAWING NO. 320-10096
SHEET 1 OF 2				SIZE A4 REV. X2

WIRING TABLE



P1 & P2: A1,A4,A7,A13,A16,A19,B1,B4,B7,B13,B16,B19 Grounded on PCB

LABEL INFORMATION



FONT: ARIAL
HEIGHT: 2.0mm Min

TEST CONDITIONS:

- 100% OPEN & SHORT & MISS-WIRING & INTERMITTENCE TEST.
- CONDUCTIVE RESISTANCE: 3Ω MAX.
- INSULATION RESISTANCE: 10 MΩ
- HI-POT TEST: 300VDC FOR 10ms.
- THIS PRODUCT MEETS SAS 4.0

RoHS Compliant

GENERAL TOLERANCE X ± .X ± 0.40 .XX ± 0.30 .XXX ± 0.20	ANGLE TOLERANCE X° ± 5.0° .X° ± 3.0° .XX° ± 2.0° .XXX° ± 1.0°	DRAWN KYLE	DATE 11/13/2018	
MATERIAL SEE BOM		CHECKED	DATE	
FINISH SEE BOM		APPROVED		PART NUMBER 320-10096-XX
SCALE N/A	UNIT mm	DATE		DRAWING NO. 320-10096
SHEET 2 OF 2				SIZE A4 REV. X2