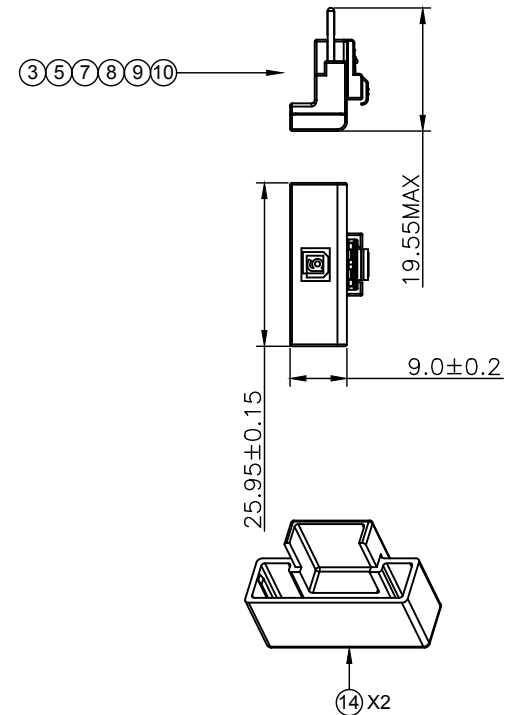
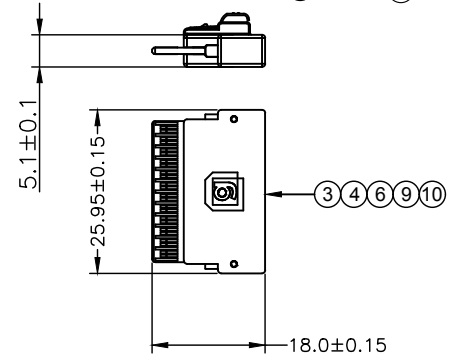
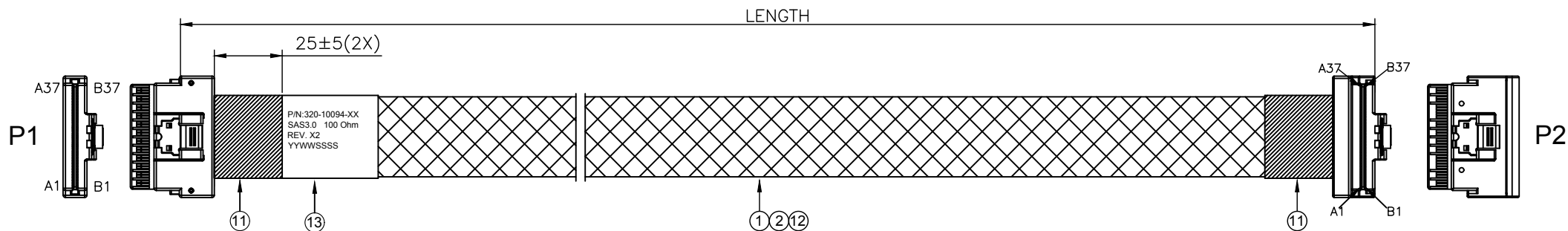


PROPRIETARY INFORMATION
COMPANY CONFIDENTIAL

REV.	ECN. NO.	DESCRIPTION	ENG	DATE
X1		ISSUED	KYLE	6/11/2018
X2		CHANGE HOUSING, UPDATE WIRE LENGTHS	SHAWN	10/22/2018



GENESIS P/N	LENGTH(mm)	TOLERANCE(mm)
320-10094-01	152	±10
320-10094-02	300	±10
320-10094-03	500	±15
320-10094-04	700	±15
320-10094-05	1000	±15

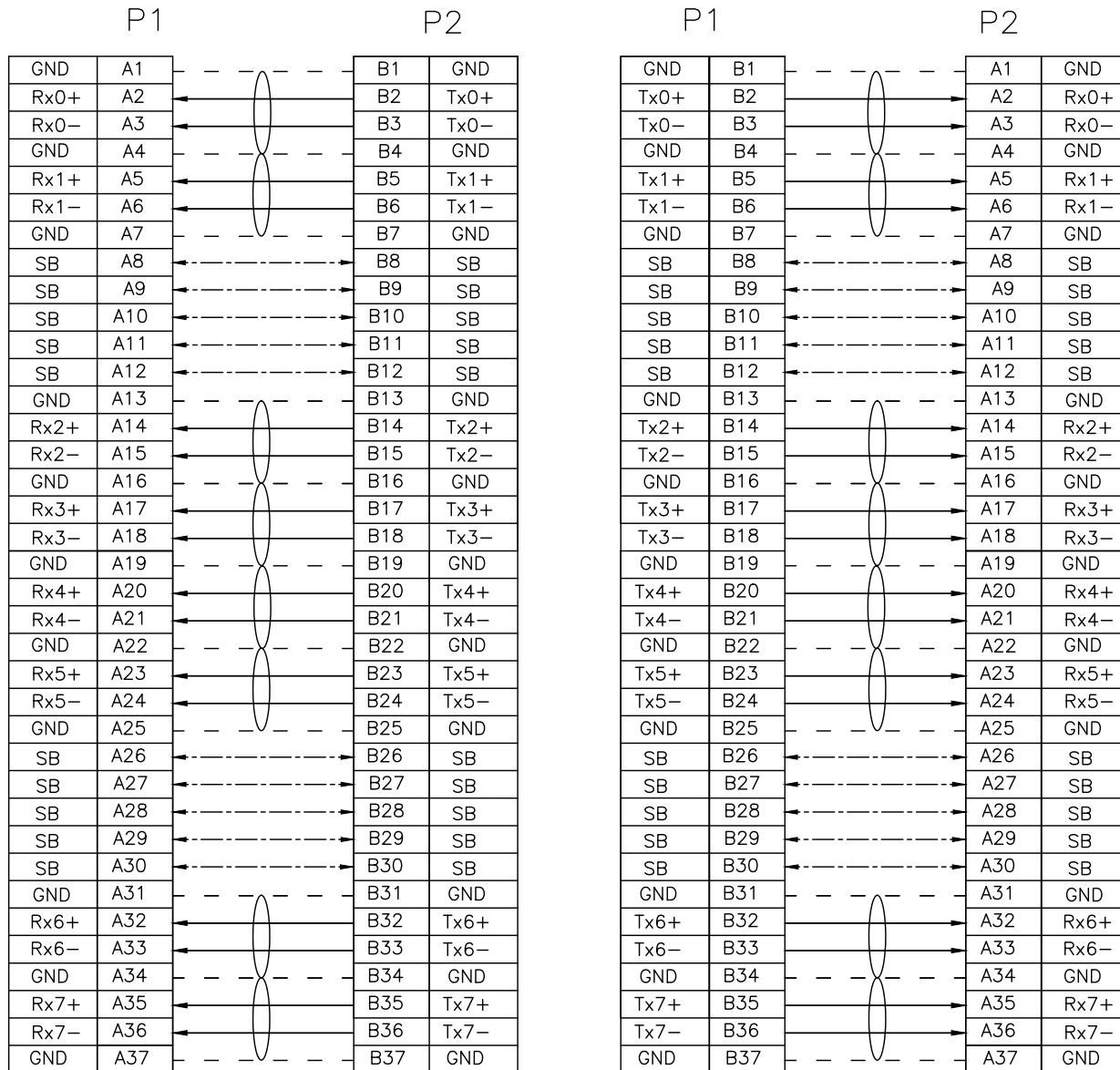
14	DUST CAP	2	DUST CAP FOR SFF-8654 8i, PE, NATURAL	
13	LABEL	1	WHITE LABEL, 60*30MM(REF)	
12	WEAVE	A/R	PLASTIC BRAID SLEEVE, PET, BLACK,OD:10.0MM	
11	ACETATE TAPE	A/R	ACETATE TAPE, W=25MM, BLACK	
10	RIVET	4	RIVET FOR SFF-8654	
9	LATCH	2	LATCH FOR SFF-8654	
8	BACK COVER	1	BACK COVER FOR SFF-8654 8i R/A, BLACK	
7	HOUSING	1	HOUSING FOR SFF-8654 8i R/A, BLACK	
6	HOUSING	1	HOUSING FOR SFF-8654 8i STR, BLACK	
5	INNER MOLD	1	INNER MOLDING FOR SFF-8654 8i R/A, BLACK	
4	INNER MOLD	1	INNER MOLDING FOR SFF-8654 8i STR, BLACK	
3	8654 8i PCB	2	PCB FOR SLIMLINE SAS 8i STR, AU30u"	
2	FLAT CABLE	A/R	FLAT CABLE 32AWG*5C, RED/BLACK	
1	SAS CABLE	A/R	SAS3.0 CABLE 12G 32 AWG	
ITEM	NAME	Q'TY	DESCRIPTION	NOTE

GENERAL TOLERANCE X ± .X ± 0.40 .XX ± 0.30 .XXX ± 0.20	ANGLE TOLERANCE X° ± 5.0° .X° ± 3.0° .XX° ± 2.0° .XXX° ± 1.0°	DRAWN SHAWN	DATE 10/22/2018
MATERIAL		CHECKED	DATE
FINISH		APPROVED	DATE
SCALE N/A	UNIT mm		
SHEET 1 OF 2			

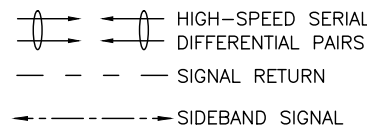
RoHS Compliant

genesis connected solutions	
TITLE: SlimSAS 8i STR TO RAD Cable Ass'Y SAS3.0 100 Ohm	
PART NUMBER: 320-10094-XX	
DRAWING NO. 320-10094	SIZE A4 REV. X2

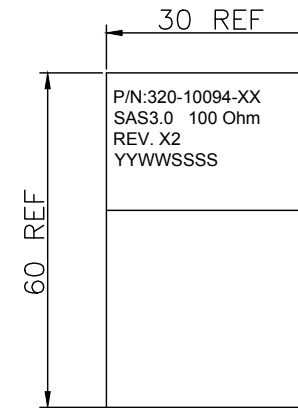
WIRING TABLE



A1,A4,A7,A13,A16,A19,A22,A25,A31,A34,A37,
B1,B4,B7,B13,B16,B19,B22,B25,B31,B34,B37 Grounded on PCB



LABEL INFORMATION



FONT: ARIAL
HEIGHT: 2.0mm Min

TEST CONDITIONS:

- 100% OPEN & SHORT & MISS-WIRING & INTERMITTENCE TEST.
- CONDUCTIVE RESISTANCE: 3Ω MAX.
- INSULATION RESISTANCE: 10 MΩ
- HI-POT TEST: 300VDC FOR 10ms.
- THIS PRODUCT MEETS SAS 3.0

RoHS Compliant

GENERAL TOLERANCE X ± .X ± 0.40 .XX ± 0.30 .XXX ± 0.20	ANGLE TOLERANCE X° ± 5.0° .X° ± 3.0° .XX° ± 2.0° .XXX° ± 1.0°	DRAWN SHAWN	DATE 10/22/2018		TITLE SlimSAS 8i STR TO RAD Cable Ass'Y SAS3.0 100 Ohm
FINISH		CHECKED	DATE		PART NUMBER 320-10094-XX
SCALE N/A	UNIT mm	APPROVED	DATE	DRAWING NO. 320-10094	SIZE A4 REV. X2
SHEET 2 OF 2					