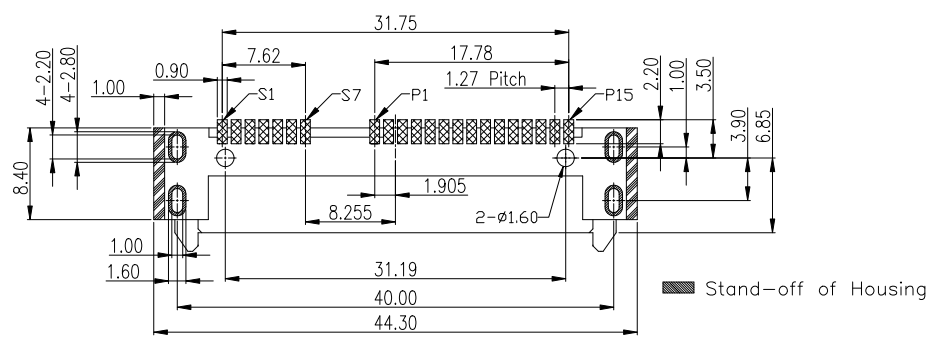
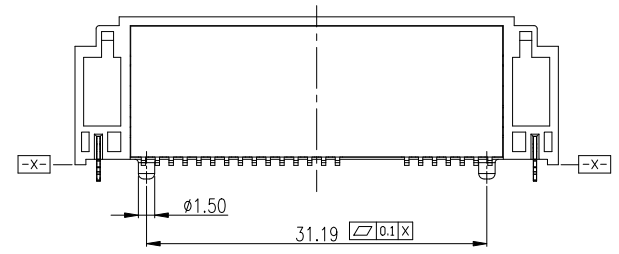
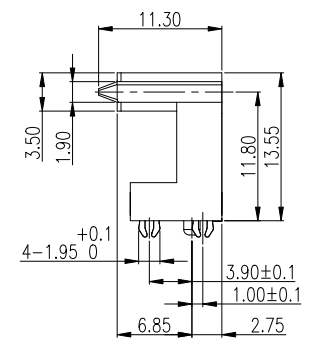
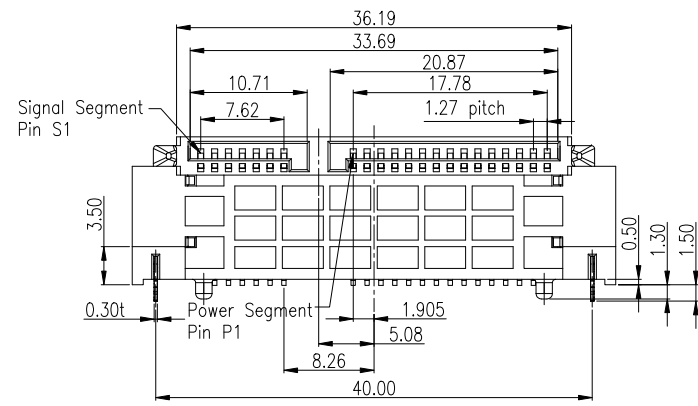
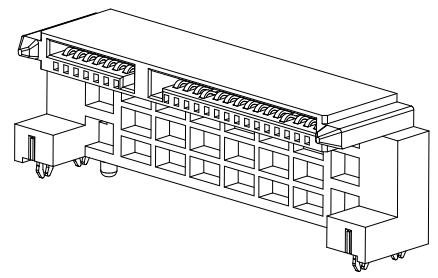
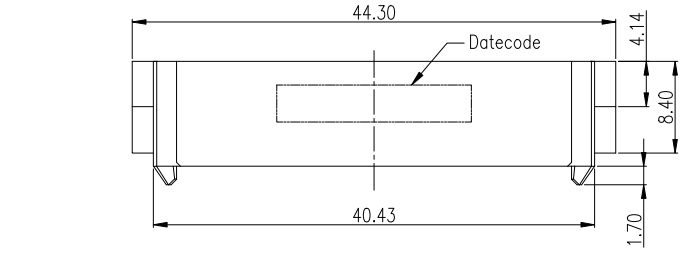


PROPRIETARY INFORMATION
COMPANY CONFIDENTIAL

REV.	ECN. NO.	DESCRIPTION	ENG	DATE
X1		INITIAL	Dan	10/27/15'
X2		MODIFY TITLE CONTENT	Dan	11/07/15'



RECOMMENDED PCB LAYOUT (TOP VIEW)
GENERAL TOLERANCES: ±0.05 (t=1.6)

NOTES:

- MATERIAL AND PLATING:
Housing(CAP): LCP+30%G.F,UL94V-0,Black
Contact: Phosphor Bronze, Au And Sn Plated.
Fork: Brass, Ni Plated.
- MECHANICAL CHARACTERISTIC
Mating Force: 20N(2.05Kgf) max.
Unmating Force: 4N(0.41Kgf) min.
Durability: 500 Cycles.
- ELECTRICAL CHARACTERISTIC
Current Rating: 1.5A.
Voltage Rating: 30V AC.
Contact Resistance: 30m Ohm Max.
Insulation Resistance: 1000M Ohm Min
Dielectric Withstanding Voltage: 500V AC Min
- TEMPERATURE
Operating Temperature: -40°C~+85°C
Storage Temperature: -60°C~+105°C

ITEM	NAME	Q'TY	DESCRIPTION
3	Fork	1	Brass, Nickel 50u" Min Under plating overall, Matte Tin 80u" Min Plating overall
2	Contact	1	PHOSPHOR BRONZE, Nickel 50u" Min Under plating Over all, Matte Tin 80u" Min Plating On tail Area;Au gold flash
1	Housing/Cap	1	LCP+30%GF,UL94 V-0, BLACK

GENERAL TOLERANCE	ANGLE TOLERANCE	DRAWN	DATE
X± 0.50	X'± 5.0°	Dan	11/07/15'
.X± 0.38	.X'± 3.0°	CHECKED	DATE
.XX± 0.25	.XX'± 2.0°		
.XXX± 0.15	.XXX'± 1.0°	APPROVED	DATE
		River	11/07/15'
SEE BOM			
FINISH SEE NOTES			
SCALE N/A	UNIT mm		
SHEET 1 OF 1			

		TITLE: Serial ATA Rece. (7+15)pin 90° SMT	
		Type Center Height 11.80mm <input checked="" type="checkbox"/>	
PART NUMBER.		240-10001-01	
DRAWING NO.		240-10001	
SIZE A4		REV. X2	