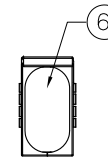
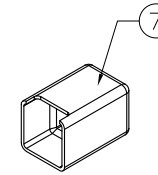
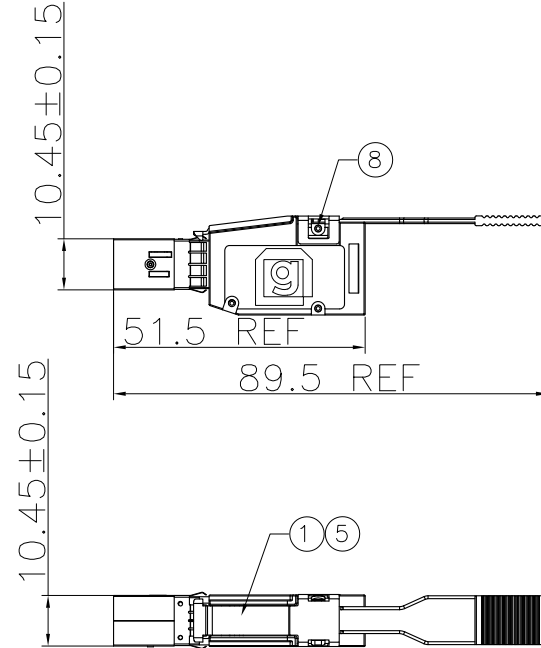
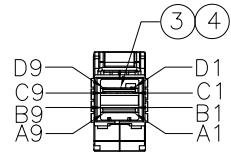


PROPRIETARY INFORMATION
COMPANY CONFIDENTIAL

REV.	ECN. NO.	DESCRIPTION	ENG	DATE
X1		INITIAL	HSIO	21/7/2016

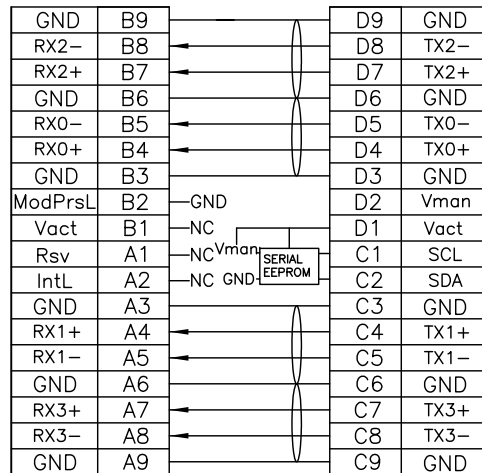


7	P-HSEPE-0001	1	DUST COVER FOR SFF-8644, PE, NATUAL	
6	M-HSETPNI-01	1	PLUG BOARD	
5	P-HSEPE-0002	1	INNER MOLDING FOR EXT HD-SAS,	
4	P-HSE2830-02B	1	EXT MINI SAS HD PCB A,B	
3	A-HSE2830-01B	1	EXT MINI SAS HD PCB C,D	
2	SHSE30-1-G	1	EXT HD-SAS CONNECTOR,SHELL,LATCH,PULL TAB,RIVET,EMI	
1	CAB-MSI-D-30MN	R/A	2P 30AWG CABLE	
ITEM	NAME	Q'TY	DESCRIPTION	NOTE

GENERAL TOLERANCE X.± 0.50 .X± 0.20 .XX± 0.10 .XXX± 0.05	ANGLE TOLERANCE X°± 5.0° .X°± 3.0° .XX°± 2.0° .XXX°± 1.0°	DRAWN HSIO	DATE 2016.07.21	
MATL SEE BOM	FINISH SEE NOTES	CHECKED	DATE	
SCALE N/A	UNIT mm	APPROVED	DATE	PART NUMBER. 230-10025-01
SHEET 1 OF 2				DRAWING NO. 230-10025
				SIZE A4
				REV. X1

RoHS Compliant

WIRING TABLE



MATERIAL RoHS COMPLIANT:

1. PCB: ISOLA 370HR
2. LEFT /RIGHT SHELL: ZINC ALLOY NICKEL PLATED
3. THIS PRODUCT CONFORMS TO THE MECHANICAL DIMENSIONING REQUIREMENTS OF SFF-8644
4. ELECTRICAL TEST PLS REFER TO SLK STANDARD ES-005
5. TWO-WIRED SERIAL MEMORY: AT24C02B EEPROM(256 BYTES)
6. THIS PRODUCT MEETS SAS3.0

RoHS Compliant

GENERAL TOLERANCE X.± 0.50 .X± 0.20 .XX± 0.10 .XXX± 0.05	ANGLE TOLERANCE X°± 5.0° .X°± 3.0° .XX°± 2.0° .XXX°± 1.0°	DRAWN HSIO	DATE 2016.07.21	
MATL SEE BOM		CHECKED	DATE	
FINISH SEE NOTES		APPROVED		DATE
SCALE N/A	UNIT mm	SHEET 2 OF 2		PART NUMBER. 230-10025-01 DRAWING NO. 230-10025 SIZE A4 REV. X1