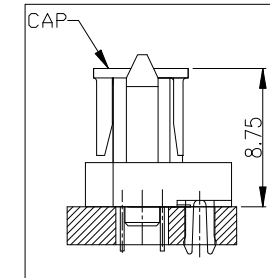
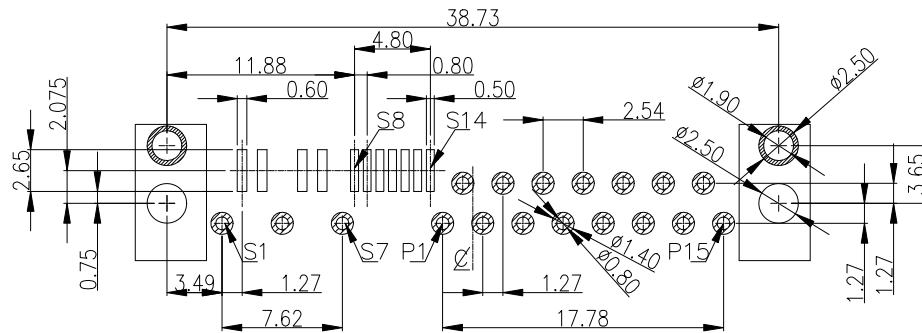
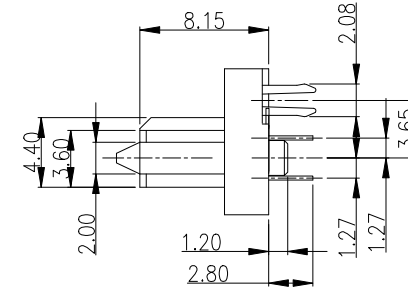
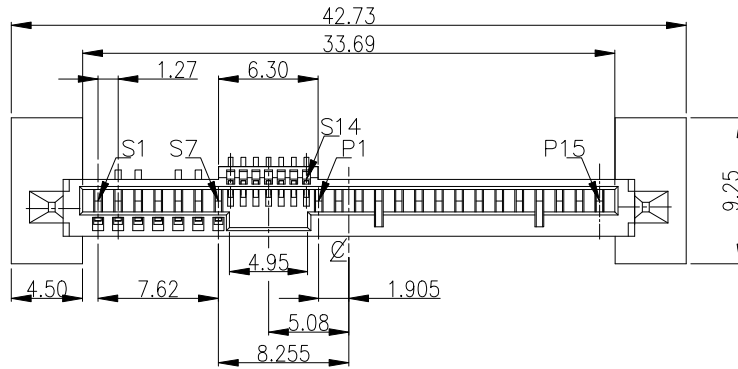
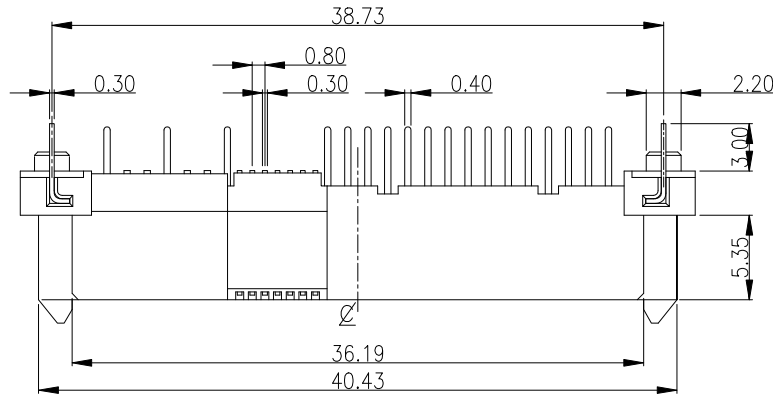


PROPRIETARY INFORMATION  
COMPANY CONFIDENTIAL

REV.	ECN. NO.	DESCRIPTION	ENG	DATE
A		INITIAL	Sun	3/22/2016



RECOMMEND P.C.B. LAYOUT (component side)(TOP VIEW)  
DEFAULT TOLERANCES:±0.05; PCB THICKNESS : 2.4MM

GENERAL TOLERANCE X:±0.50 .X±0.38 .XX±0.25 .XXX±0.15	ANGLE TOLERANCE X°± 5.0° .X°± 3.0° .XX°± 2.0°	DRAWN Sun 3/22/16'	DATE
MATL SEE BOM	FINISH SEE NOTES	CHECKED	DATE
SCALE N/A	UNIT mm	APPROVED River 3/22/16'	DATE
SHEET 1 OF 2			

<b>GENESIS</b> TECHNOLOGY, INC.	
TITLE: SAS 22+7PIN FEMALE CONN H=8.15mm	
PART NUMBER: 230-10021-01	
DRAWING NO. 230-10021	SIZE A4 REV. A

3	BOARD LOCK	2	SPCC,PLATING TIN 100u" OVERALL
2	TERMINAL	7+22	PHOSPHOR COPPER,GOLD 30u" ON CONTACT AREA,TIN 40u" ON SOLDER AREA,60u" NICKEL UNDER PLATING OVERALL
1	HOUSING	1	LCP,COLOR BLACK
ITEM	NAME	Q'TY	DESCRIPTION

UL94-V0
NOTE