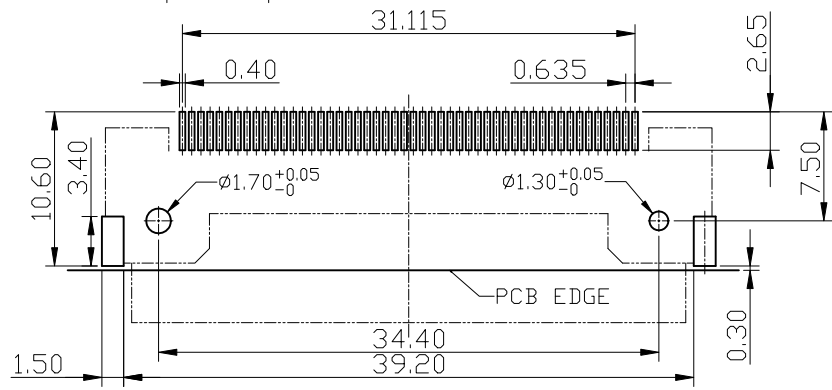
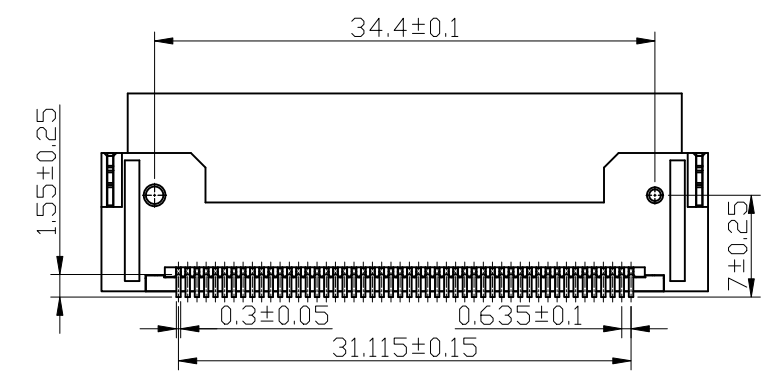
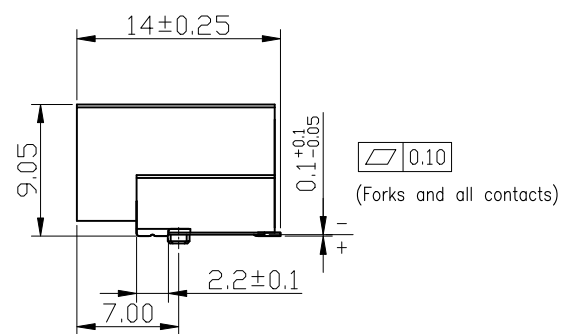
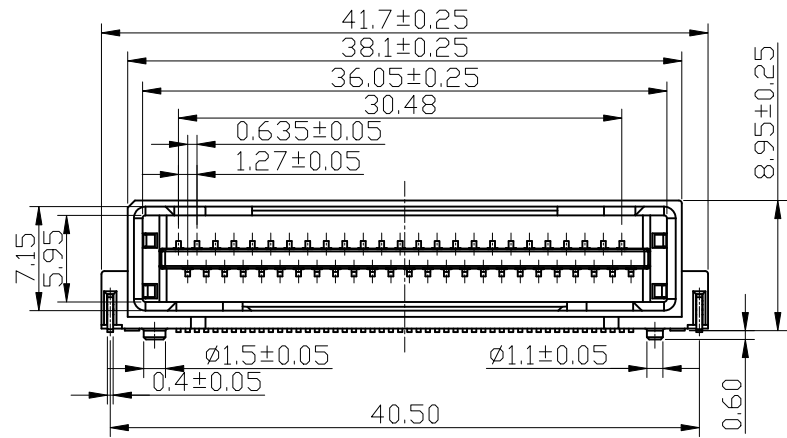
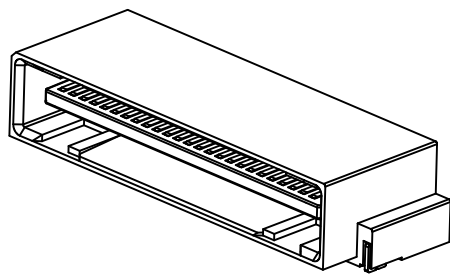
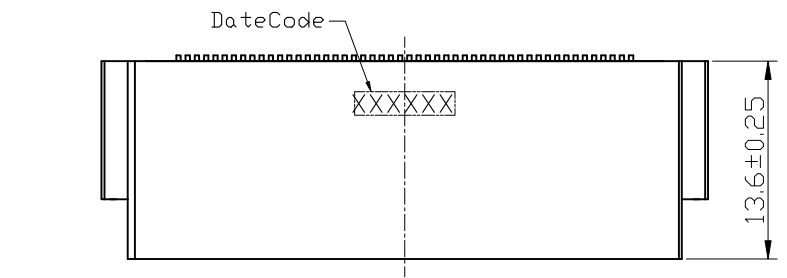


PROPRIETARY INFORMATION
COMPANY CONFIDENTIAL

REV.	ECN. NO.	DESCRIPTION	ENG	DATE
A		INITIAL	Sun	12/17/2015

NOTES
 MECHANICAL CHARACTERISTIC
 1.MATING FORCE: 7Kgf Max
 2.UNMATING FORCE: 0.6Kgf Min
 3.DURABILITY:300 CYCLES
 ELECTRICAL CHARACTERISTIC
 4.CONTACT RESISTANCE: 30 MILIOHMS MAX
 5.INSULATION RESISTANCE: 1000 MOHM MIN
 6.WITHSTANDING VOLATAGE: 100V AC MIN
 TEMPERATURE
 7.OPENRATING TEMPERATURE:-40°~+85°C
 8.STORAGE TEMPERATURE: -60°C~+105°C
 DATE CODE:YYMMDD(Y:YEAR M:MONTH D:DATE)



RECOMMENDED PCB LAYOUT (TOP VIEW)
GENERAL TOLERANCES:±0.03 (t=1.6)

3	FORK	2	BRASS,MATT-TIN 100u" PLATED ALL OVER NICKEL 50u" MIN UNDERPLATING OVERALL		
2	TERMINAL	50	PHOSPHOR BRONZE,PLATING GOLD FLASH PLATING ON CONTACT AREA, 100u" MATT-TIN PLATED ON SOLDER TAILS,NICKEL 50u" MINI UNDERPLATING OVERALL		
1	HOUSING	1	LCP+30%GF,COLOR BLACK	UL94-V0	
ITEM	NAME	Q'TY	DESCRIPTION	NOTE	

GENERAL TOLERANCE	ANGLE TOLERANCE
.X±0.50	X°± 5.0°
.X±0.38	.X°± 3.0°
.XX±0.25	.XX°± 2.0°
.XXX±0.15	.XXX°± 1.0°

DRAWN	DATE
Sun	12/17/15"
CHECKED	DATE
APPROVED	DATE
River	12/17/15"

TITLE:Board to Board 50Pin Receptacle 90° SMT TYPE,H=9.0mm,	
PART NUMBER: 110-10005-01	
DRAWING NO. 110-10005	SIZE A4 REV. A