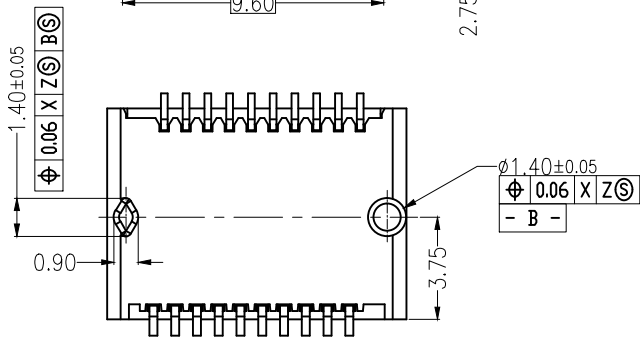
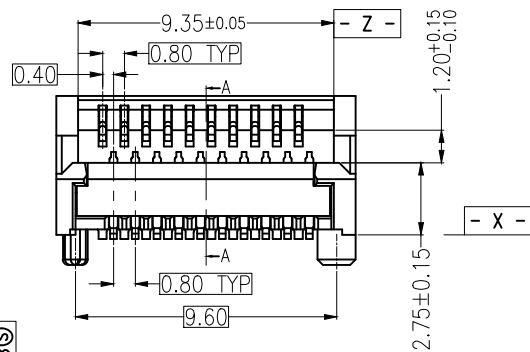
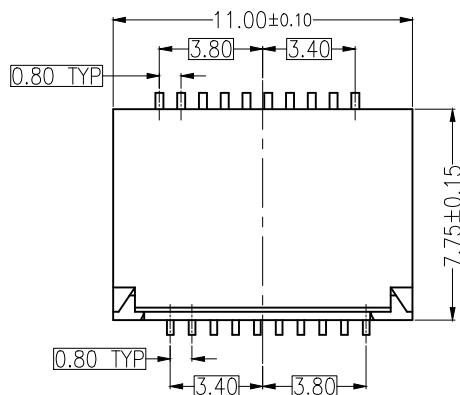


PROPRIETARY INFORMATION
COMPANY CONFIDENTIAL

REV.	ECN.	NO.	DESCRIPTION	ENG	DATE
A			INITIAL	JUAN	06/11/18'



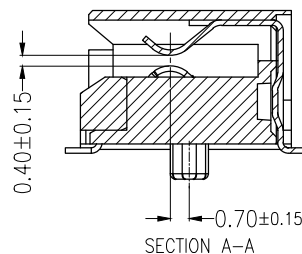
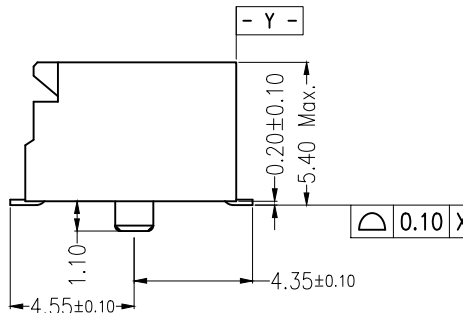
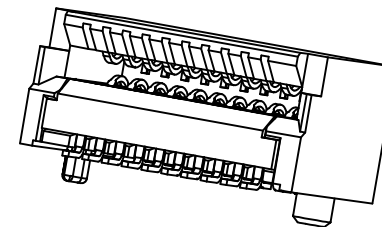
NOTE:

MECHANICAL REQUIREMENT:

1. DURABILITY: 50 CYCLES MIN.
2. INSERTION AND EXTRACTION FORCE: 9N MAX & 1N MIN WITH CAGE.

ENVIRONMENTAL:

1. CONTACT RESISTANCE: 20 MILLIOHMS MAX INITIAL.
2. DIELECTRIC WITHSTANDING VOLTAGE: 300V AC/MIN.
3. OPERATION: -40°C~+85°C.
4. STORAGE: -55°C~+105°C.
5. ROHS COMPLIANT



GENERAL TOLERANCE	ANGLE TOLERANCE	DRAWN	DATE
X. ±0.30	X°. ±0.5°	Juan	06/11/18'
.X ±0.30	.X° ±0.5°	CHECKED	DATE
.XX ±0.20	.XX° ±0.5°	APPROVED	DATE
.XXX ±0.10		Hill	06/11/18'
MATERIAL: SEE BOM		SCALE: N/A UNIT: mm	
FINISH: SEE NOTES		SHEET: 1 OF 2	



TITLE: HIGH SPEED INTERFACE 286(14.00mm)
SINGLE-LAYER CONNECTOR 20PIN

PART NUMBER: 107-10072-01

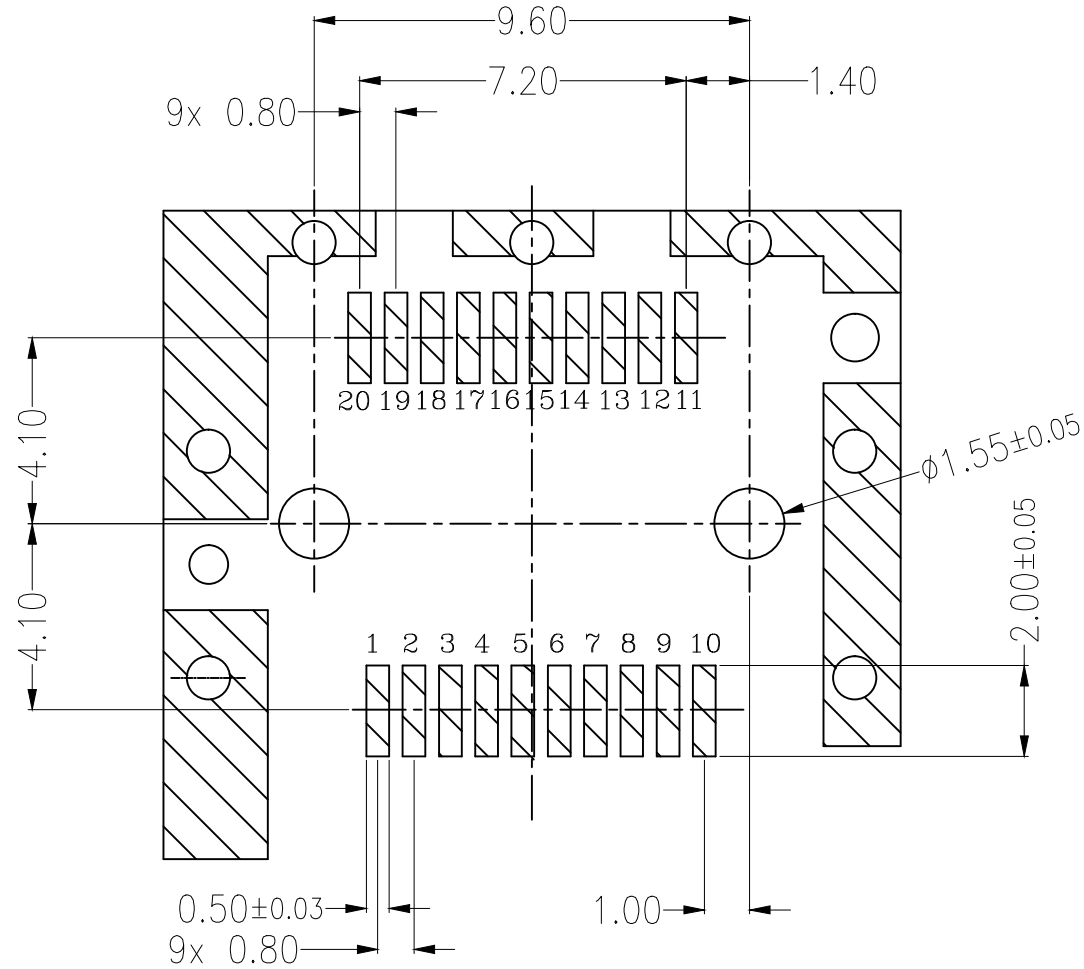
DRAWING NO. 107-10072

SIZE A4
REV. A

ITEM	NAME	Q'TY	DESCRIPTION	NOTE
2	TERMINAL	20	C5210 CONTACT AREA AU30U"Min.SOLDER AREA MATTE TIN 100U". NI 50U"OVER ALL	
1	HOUSING	1	LCP,BLACK	UL94V-0

PROPRIETARY INFORMATION
COMPANY CONFIDENTIAL

REV.	ECN.	NO.	DESCRIPTION	ENG	DATE
A			INITIAL	JUAN	06/11/18'



RECOMMENDED PCB LAYOUT

GENERAL TOLERANCE X. ± 0.30 .X ± 0.30 .XX ± 0.20 .XXX ± 0.10	ANGLE TOLERANCE X° $\pm 0.5^\circ$.X° $\pm 0.5^\circ$.XX° $\pm 0.5^\circ$	DRAWN Juan	DATE 06/11/18'	
MATL SEE BOM	FINISH SEE NOTES	CHECKED	DATE	
SCALE N/A	UNIT mm	APPROVED Hill	DATE 06/11/18'	PART NUMBER 107-10072-01
SHEET 2 OF 2				DRAWING NO. 107-10072
				SIZE A4
				REV. A