

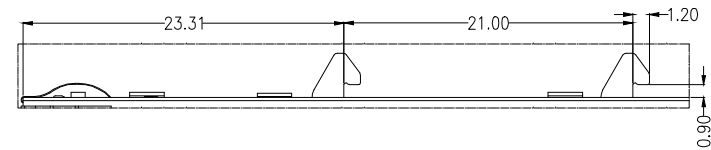
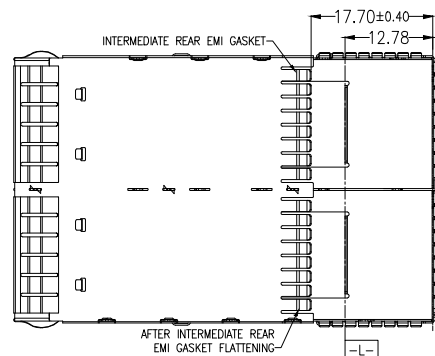
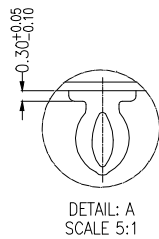
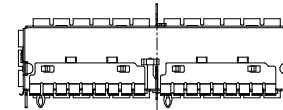
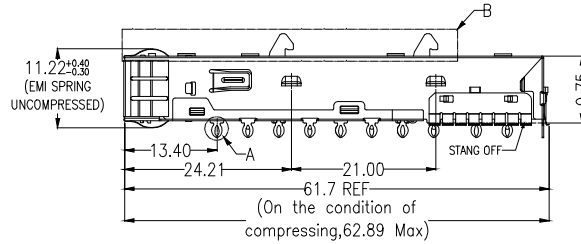
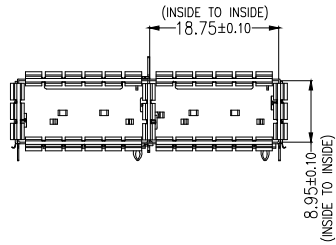
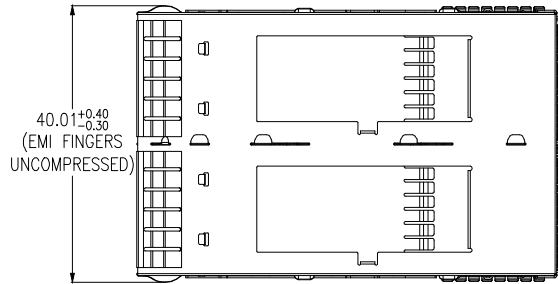
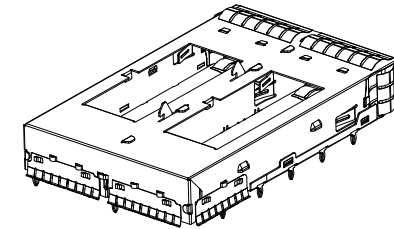
PROPRIETARY INFORMATION
COMPANY CONFIDENTIAL

REV	ECN. NO.	DESCRIPTION	ENG	DATE
A		INITIAL	ANDY	02/06/18'

NOTE:

1,	DESCRIPTION	Q'ty	MATERIAL	PLATING
01	QSFP28G CAGE	1PCS	STAINLESS STEEL	N/A
02	EMI FINGERS	7PCS	COPPER ALLOY	NI FOR ALL
03	EMI SPRINGS	4PCS	STAINLESS STEEL	N/A

2, TEMPERATURE:
OPERATION: -40°C~+85°C
STORAGE: -40°C~+85°C



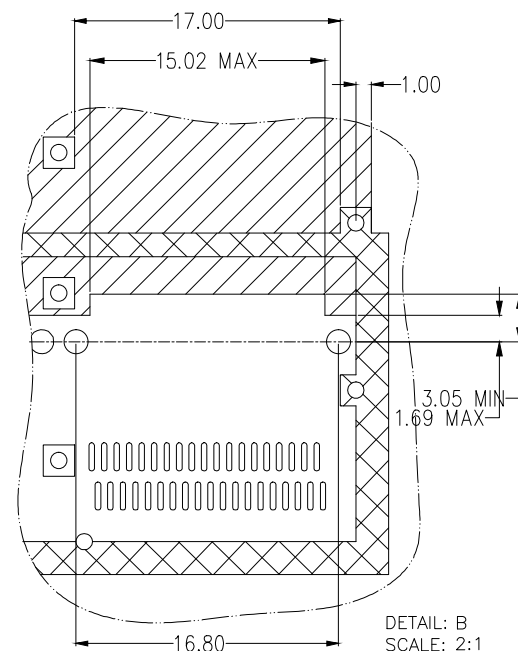
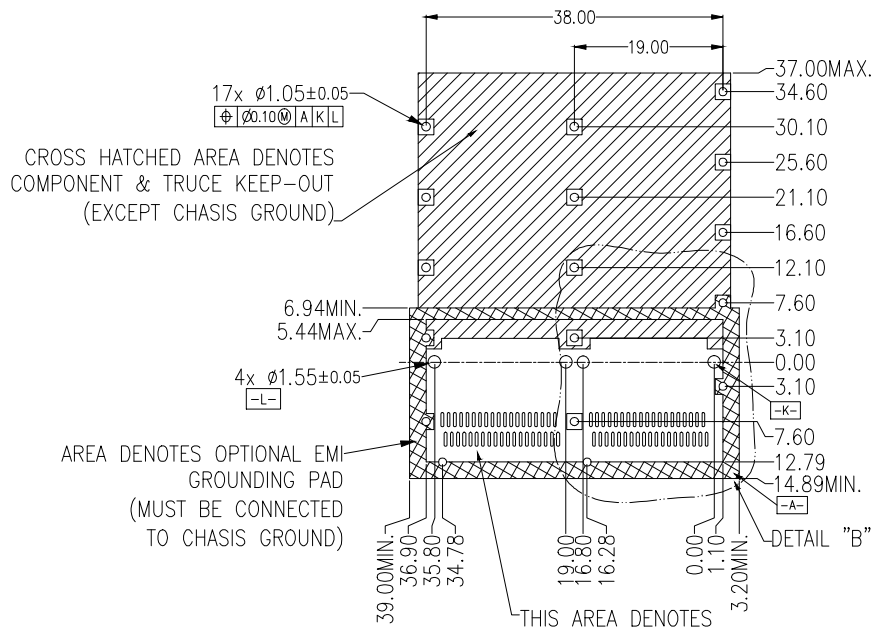
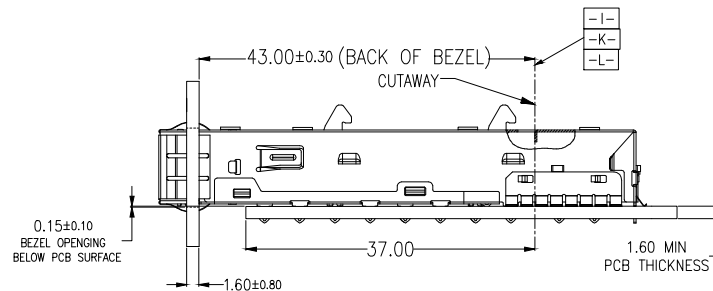
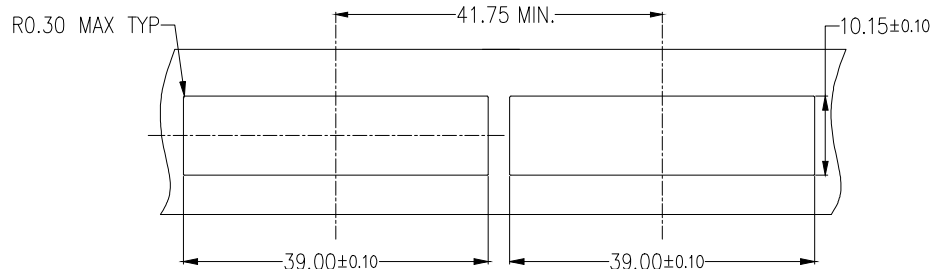
DETAIL: B
SCALE 2:1

GENERAL TOLERANCE X. ±0.25 .X ±0.25 .XX ±0.20 .XXX ±0.15	ANGLE TOLERANCE X° ±0.5° .X° ±0.5° .XX° ±0.5°	DRAWN Andy	DATE 02/06/18'		TITLE 1X2 CAGE
MATL SEE BOM	FINISH SEE NOTES	CHECKED	DATE		PART NUMBER 107-10062-01
SCALE N/A	UNIT mm	APPROVED Hill	DATE 02/06/18'	DRAWING NO. 107-10062	SIZE A4 REV. A
SHEET 1 OF 3					

PROPRIETARY INFORMATION
COMPANY CONFIDENTIAL

REV	ECN. NO.	DESCRIPTION	ENG	DATE
A		INITIAL	ANDY	02/06/18'

PCB LAYOUT FOR SINGLE SIDED APPLICATION



- NOTES:
- SEE QSFP MSA SPECIFICATION FOR BEZEL LOCATION TOLERANCE
 - DATUM -A- IS TIP SURFACE OF HOST BOARD PER MSA
 - FINISHED HOLE SIZE (AFTER PLATING)
 - DATUM -K- IS HOST BOARD THRE HOLE #1 TO ACCEPT CONNECTOR GUIDE POST PER MSA
 - DATUM -L- IS HOST BOARD THRE HOLE #2 TO ACCEPT CONNECTOR GUIDE POST PER MSA
 - DATUM -T- IS HARD STOP ON CAGE PER MSA

GENERAL TOLERANCE X. ±0.25 .X ±0.25 .XX ±0.20 .XXX ±0.15	ANGLE TOLERANCE X°. ±0.5° .X° ±0.5° .XX° ±0.5°	DRAWN Andy	DATE 02/06/18'		
MATL SEE BOM	FINISH SEE NOTES	CHECKED	DATE		TITLE 1X2 CAGE
SCALE N/A	UNIT mm	APPROVED Hill	DATE 02/06/18'	PART NUMBER 107-10062-01	
SHEET 2 OF 2				DRAWING NO. 107-10062	SIZE A4 REV. A

