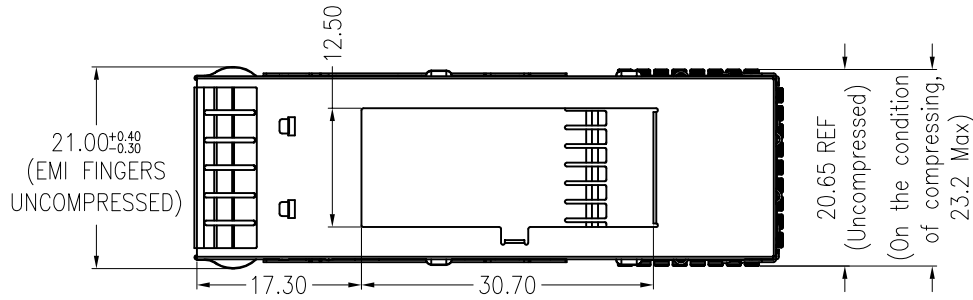


PROPRIETARY INFORMATION
COMPANY CONFIDENTIAL

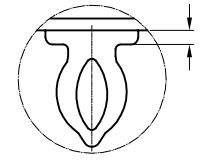
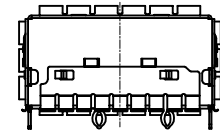
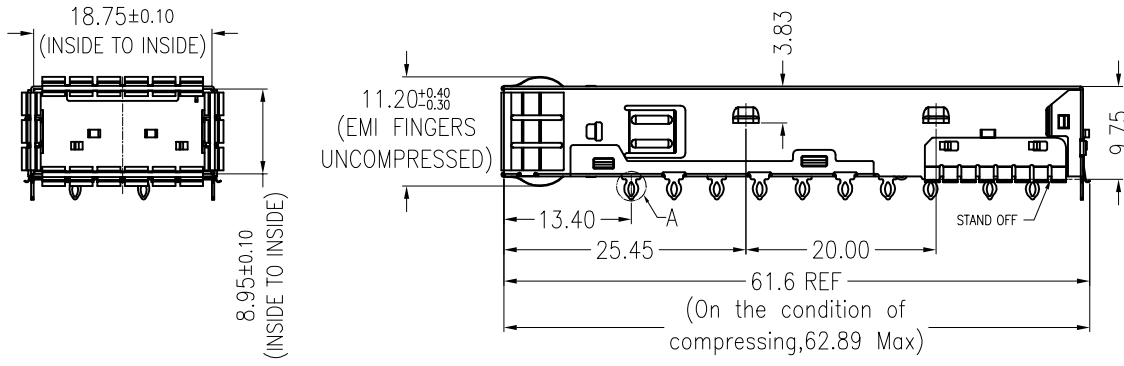
REV.	ECN. NO.	DESCRIPTION	ENG	DATE
A		INITIAL	ANDY	02/06/18'
B		CHAGNGE PCB SIZE	Ethan	10/30/18'



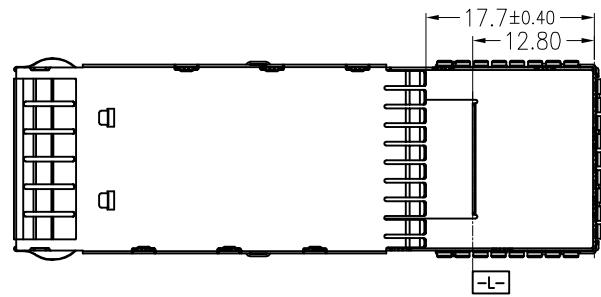
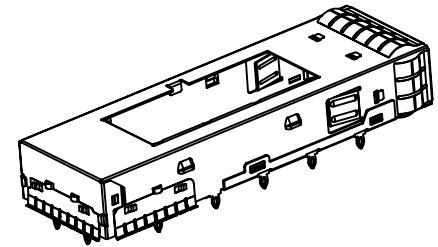
NOTE:

1,	DESCRIPTION	Q'ty	MATERIAL	PLATING
01	QSFP CAGE	1PCS	STAINLESS STEEL	N/A
02	EMI FINGERS	4PCS	COPPER ALLOY	NI FOR ALL
03	EMI SPRINGS	3PCS	STAINLESS STEEL	N/A

2, TEMPERATURE:
OPERATION: -40°C~+85°C
STORAGE: -55°C~+125°C



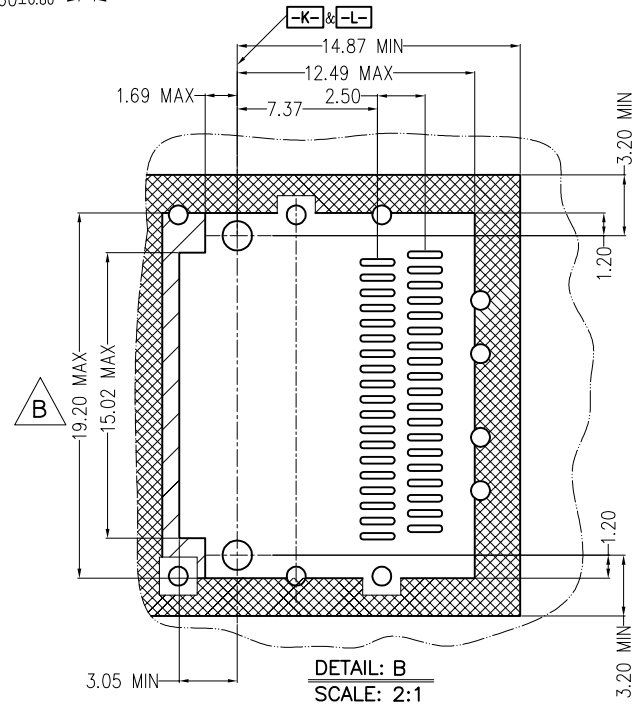
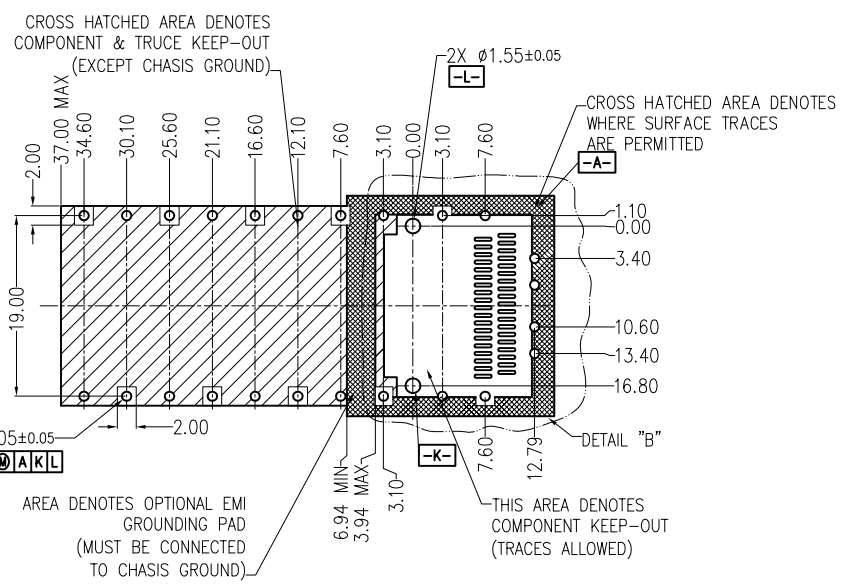
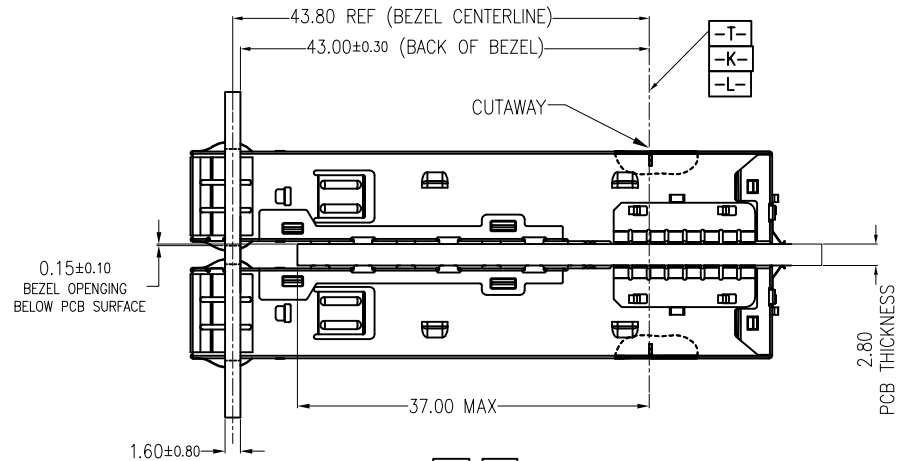
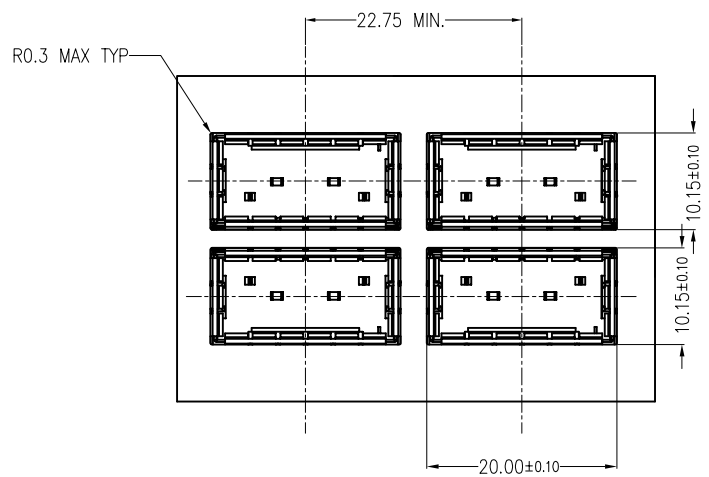
DETAIL: A
SCALE 5:1



GENERAL TOLERANCE X. ±0.25 .X ±0.25 .XX ±0.20 .XXX ±0.15	ANGLE TOLERANCE X° ±0.5° .X° ±0.5° .XX° ±0.5°	DRAWN Ethan	DATE 10/30/18'		
MATL SEE BOM	FINISH SEE NOTES	CHECKED	DATE		TITLE 1X1 CAGE
SCALE N/A	UNIT mm	APPROVED Hill	DATE 10/30/18'	PART NUMBER 107-10061-01	
SHEET 1 OF 3				DRAWING NO. 107-10061	SIZE A4 REV. B

REV.	ECN. NO.	DESCRIPTION	ENG	DATE
		SEE SHEET 1		

PCB LAYOUT FOR BELLY TO BELLY APPLICATION



- NOTES:
1. SEE QSFP MSA SPECIFICATION FOR BEZEL LOCATION TOLERANCE
 2. DATUM -A- IS TIP SURFACE OF HOST BOARD PER MSA
 3. FINISHED HOLE SIZE (AFTER PLATING)
 4. DATUM -K- IS HOST BOARD THREE HOLE #1 TO ACCEPT CONNECTOR GUIDE POST PER MSA
 5. DATUM -L- IS HOST BOARD THREE HOLE #2 TO ACCEPT CONNECTOR GUIDE POST PER MSA
 6. DATUM -T- IS HARD STOP ON CAGE PER MSA

GENERAL TOLERANCE	ANGLE TOLERANCE	DRAWN	DATE
X. ±0.25	X°. ±0.5°	Ethan	10/30/18'
.X ±0.25	.X°. ±0.5°	CHECKED	DATE
.XX ±0.20	.XX°. ±0.5°		
.XXX ±0.15	.XXX°. ±0.5°	APPROVED	DATE
		Hill	10/30/18'
MATL	SEE BOM		
FINISH	SEE NOTES		
SCALE	N/A	UNIT	mm
SHEET	3 OF 3		

		TITLE	1X1 CAGE
		PART NUMBER	107-10061-01
DRAWING NO.	107-10061	SIZE	A4
		REV.	B