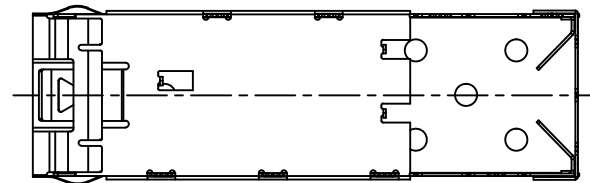
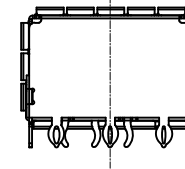
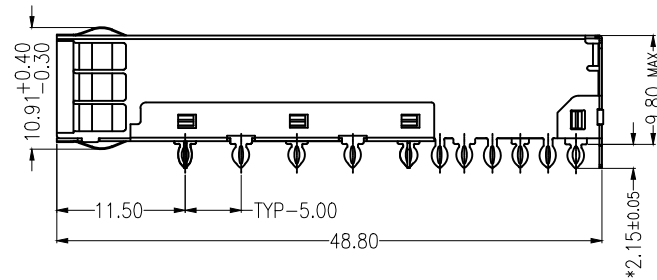
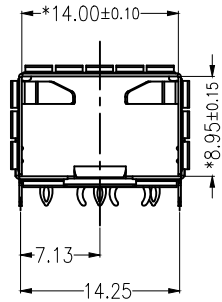
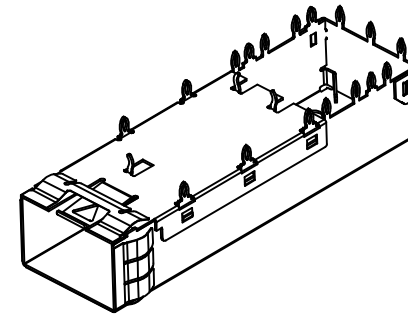
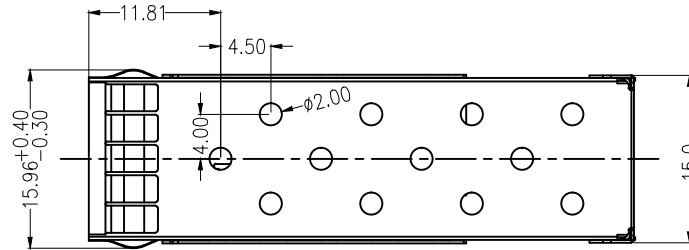


PROPRIETARY INFORMATION
COMPANY CONFIDENTIAL

REV.	ECN.	NO.	DESCRIPTION	ENG	DATE
A			INITIAL	ANDY	10/18/17'



NOTE:

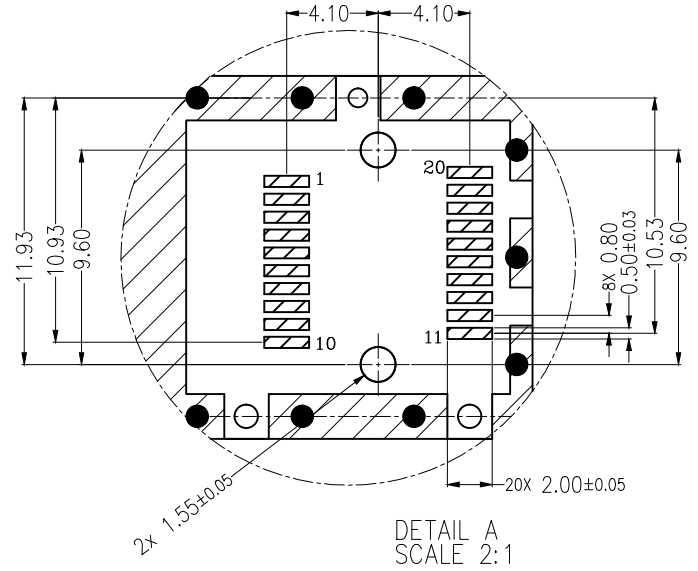
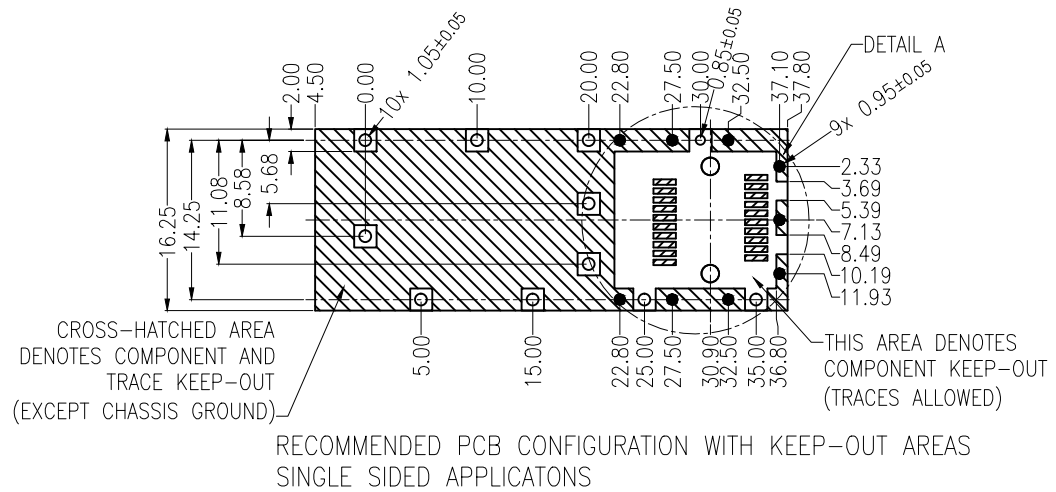
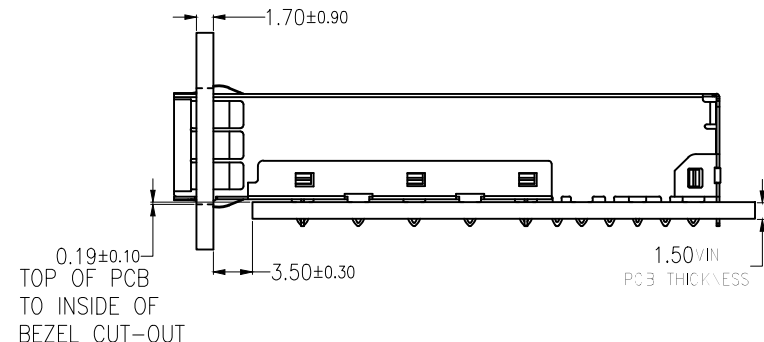
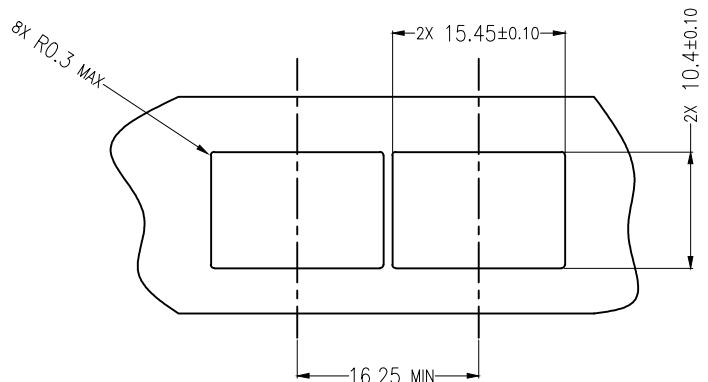
- TEMPERATURE:
OPERATION: -40°C~+85°C
STORAGE: -55°C~+105°C

ITEM	NAME	Q'TY	DESCRIPTION	NOTE
3	EMI SPRINGS	4	PHOSPHOR BRONZE,NI 30U"~100U",SN 100U"~200U"	
2	BOTTOM CAGE	1	COPPER ALLOY	
1	TOP CAGE	1	COPPER ALLOY	

GENERAL TOLERANCE	ANGLE TOLERANCE	DRAWN	DATE	
X. ±0.25 .X ±0.25 .XX ±0.20 .XXX ±0.15	X° ±0.5° .X° ±0.5° .XX° ±0.5°	Andy	10/18/17'	
MATL. SEE BOM	FINISH SEE NOTES	CHECKED	DATE	PART NUMBER: 107-10055-01
SCALE N/A	UNIT mm	APPROVED	DATE	DRAWING NO. 107-10055
SHEET 1 OF 2		Hill	10/18/17'	SIZE A4 REV. A

PROPRIETARY INFORMATION
COMPANY CONFIDENTIAL

REV.	ECN.	NO.	DESCRIPTION	ENG	DATE
A			INITIAL	ANDY	10/18/17



GENERAL TOLERANCE		ANGLE TOLERANCE		DRAWN	DATE	
X.	±0.25	X°.	±0.5°	Andy	10/18/17	
.X	±0.25	.X°.	±0.5°	CHECKED	DATE	PART NUMBER: 107-10055-01
.XX	±0.20	.XX°.	±0.5°	APPROVED	DATE	DRAWING NO. 107-10055
.XXX	±0.15	.XXX°.	±0.5°	Hill	10/18/17	SIZE A4 REV. A
MATL	SEE BOM					
FINISH	SEE NOTES					
SCALE	N/A	UNIT	mm			
SHEET	2 OF 2					