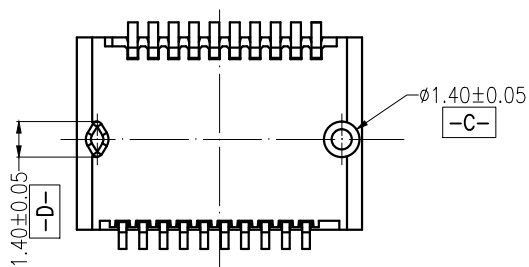
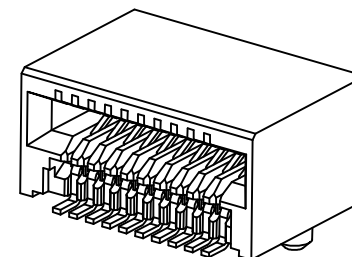
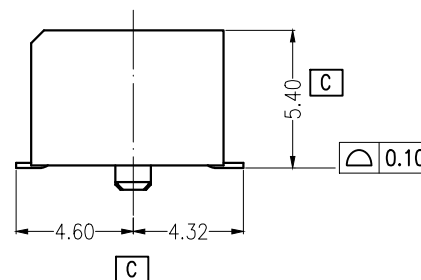
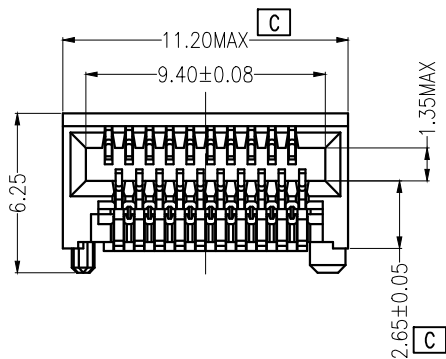
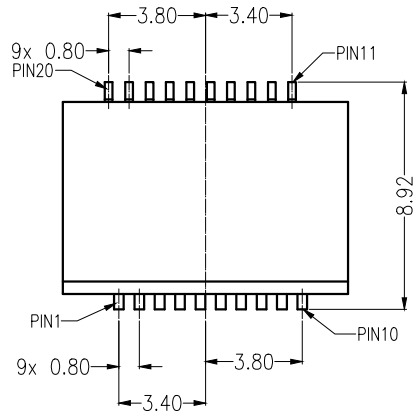


PROPRIETARY INFORMATION
COMPANY CONFIDENTIAL

REV.	ECN.	NO.	DESCRIPTION	ENG	DATE
A			INITIAL	ANDY	10/17/17
B			SHAPE STRUCTURE OPTIMIZATION	ANDY	11/2/17
C			SHAPE STRUCTURE OPTIMIZATION	ANDY	05/08/17



NOTE:

MECHANICAL REQUIREMENT:

1. DURABILITY: 100 CYCLES MIN.
2. INSERTION AND EXTRACTION FORCE: 40N MAX & 11.5N MAX

ENVIRONMENTAL:

1. CONTACT RESISTANCE: 20 MILLIOHMS MAX INITIAL.
2. DIELECTRIC WITHSTANDING VOLTAGE: 300V AC/MIN.
3. OPERATION: -40°C~+85°C.
4. STORAGE: -55°C~+105°C.
5. WAVE SOLDERING TEMPERATURE: 255~265°C (5~10 SECONDS).
6. ROHS COMPLIANT

GENERAL TOLERANCE	ANGLE TOLERANCE	DRAWN	DATE	
.X ±0.30 .XX ±0.20 .XXX ±0.10	±0.5°	Andy	05/08/17	
MATL SEE BOM		CHECKED	DATE	PART NUMBER: 107-10054-01
FINISH SEE NOTES		APPROVED	DATE	DRAWING NO. 107-10054
SCALE N/A	UNIT mm	Hill	05/08/17	SIZE A4 REV. C
SHEET 1 OF 2				

ITEM	NAME	Q'TY	DESCRIPTION	NOTE
2	CONTACT	20	COPPER ALLOY, AU 15U"MIN NI 50U"~100U" SN 50U"~100U"	
1	HOUSING	1	LCP, BLACK	UL94V-0

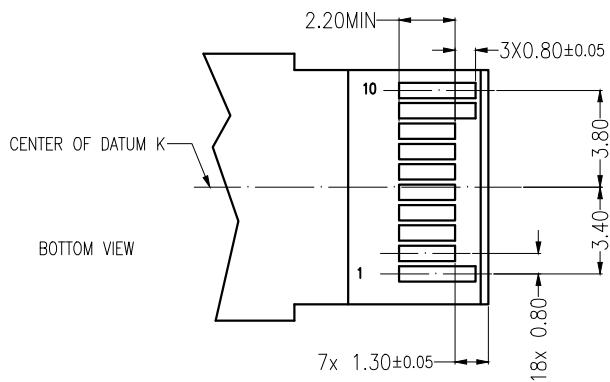
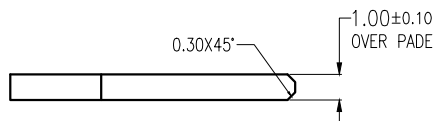
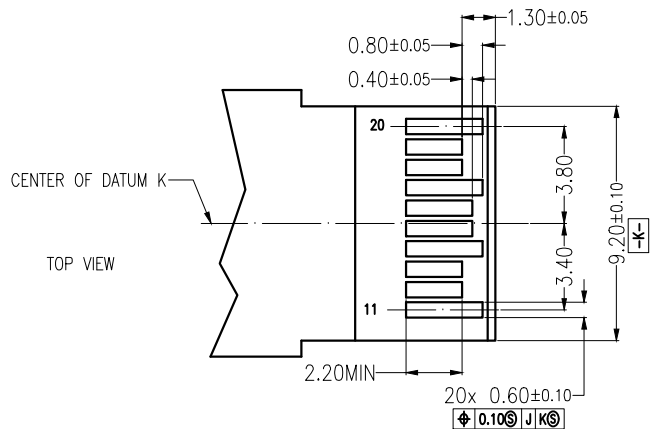
A
B
C
D
E

A
B
C
D
E

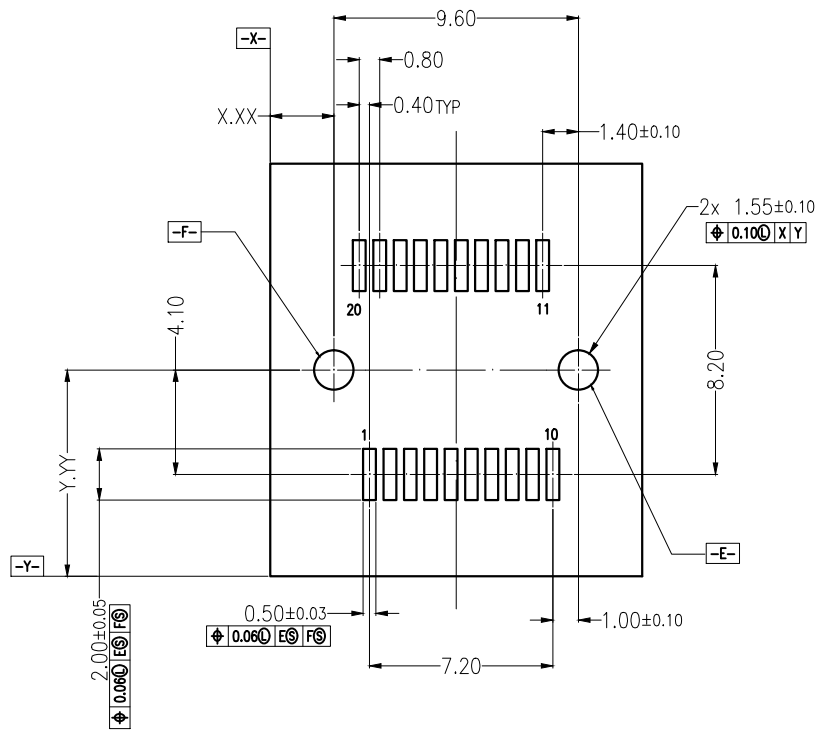
1 2 3 4 5 6 7 8

PROPRIETARY INFORMATION
COMPANY CONFIDENTIAL

REV.	ECN.	NO.	DESCRIPTION	ENG	DATE
A			INITIAL	ANDY	10/17/17
B			SHAPE STRUCTURE OPTIMIZATION	ANDY	11/2/17
C			SHAPE STRUCTURE OPTIMIZATION	ANDY	05/08/17



RECOMMENDED LAYOUT DETAIL MATING
TRANSCEIVER PCB



- NOTES:
1. GROUNDS ARE CLEARED UNDER SIGNAL PADS
2. BASIC DIMENSION X.XX TO BE ESTABLISHED

GENERAL TOLERANCE	ANGLE TOLERANCE	DRAWN	DATE	genesis connected solutions	
.X ±0.30	±0.5°	Andy		TITLE: SFP+ 1X1 CONNECTOR	
.XX ±0.20		CHECKED	DATE	PART NUMBER: 107-10054-01	
.XXX ±0.10		APPROVED	DATE	DRAWING NO. 107-10054	
MATL SEE BOM		Hill		SIZE A4	REV. C
FINISH SEE NOTES					
SCALE N/A	UNIT mm				
SHEET 2 OF 2					