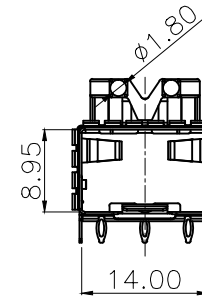
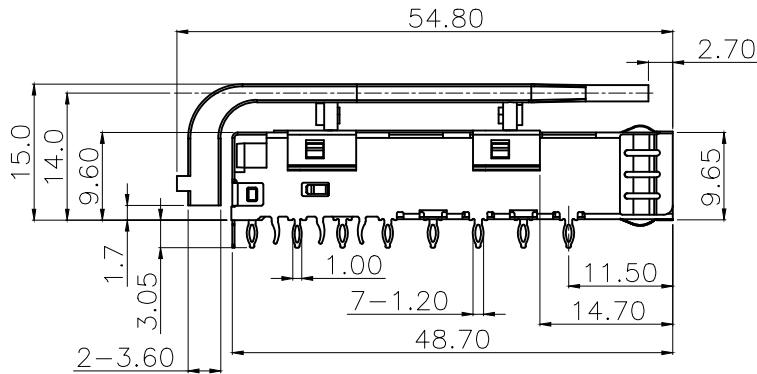
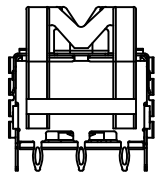
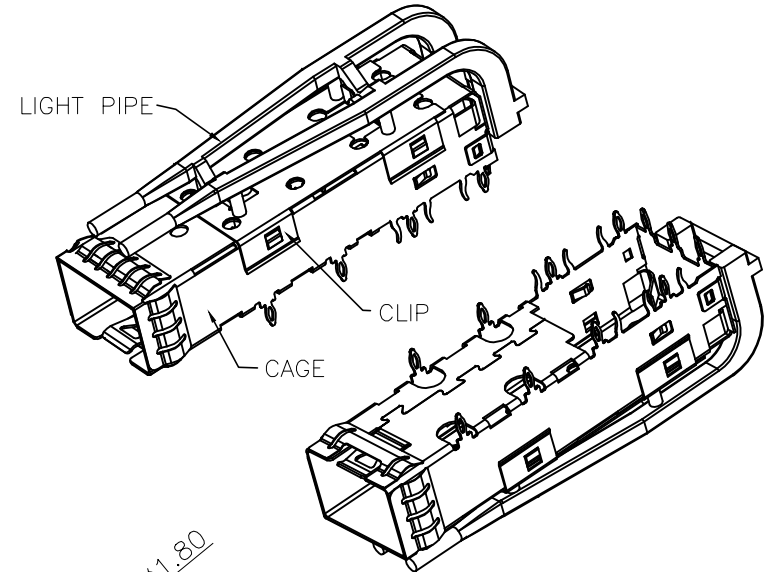
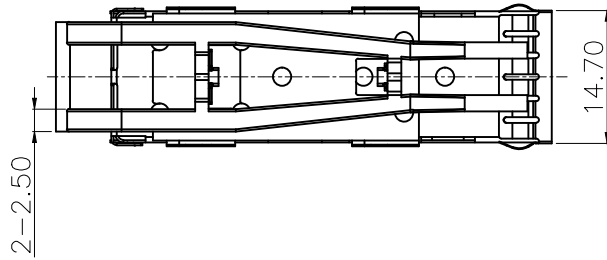


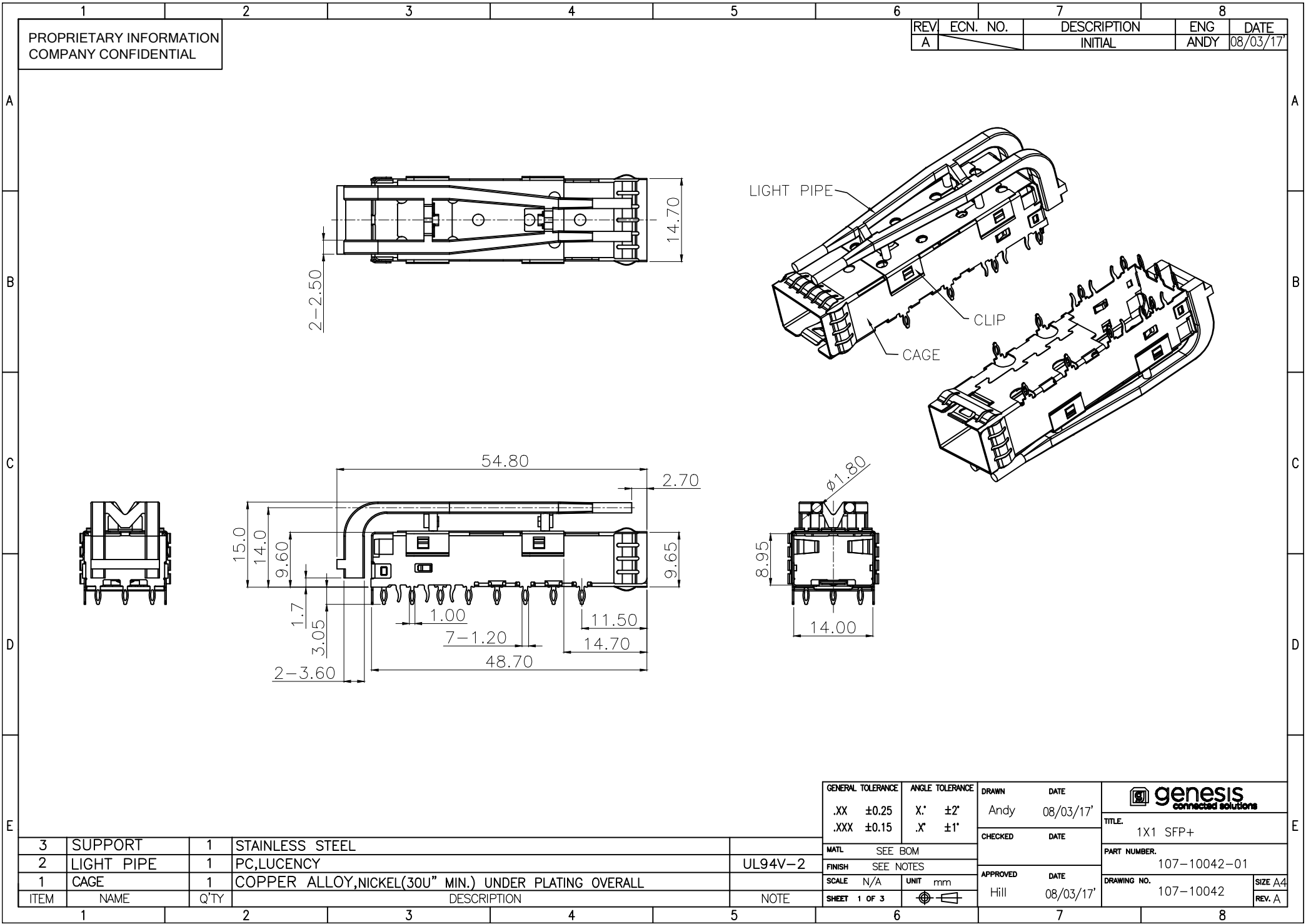
PROPRIETARY INFORMATION  
COMPANY CONFIDENTIAL

REV	ECN. NO.	DESCRIPTION	ENG	DATE
A		INITIAL	ANDY	08/03/17'



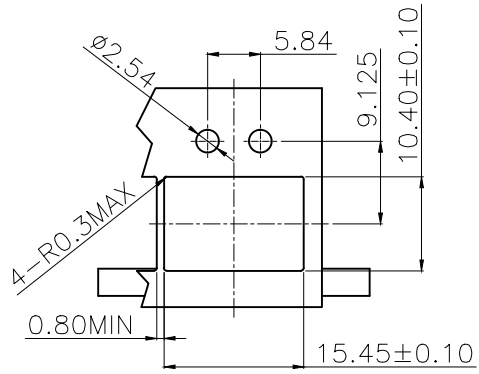
GENERAL TOLERANCE	ANGLE TOLERANCE	DRAWN	DATE	
.XX ±0.25	X' ±2'	Andy	08/03/17'	
.XXX ±0.15	X' ±1'	CHECKED	DATE	TITLE: 1X1 SFP+
MATL SEE BOM		APPROVED	DATE	PART NUMBER: 107-10042-01
FINISH SEE NOTES		Hill	08/03/17'	DRAWING NO. 107-10042
SCALE N/A	UNIT mm			SIZE A4
SHEET 1 OF 3				REV. A

ITEM	NAME	Q'TY	DESCRIPTION	NOTE
3	SUPPORT	1	STAINLESS STEEL	
2	LIGHT PIPE	1	PC,LUCENCY	UL94V-2
1	CAGE	1	COPPER ALLOY,NICKEL(30U" MIN.) UNDER PLATING OVERALL	

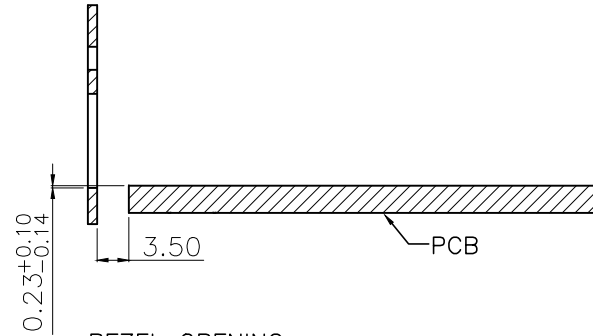


PROPRIETARY INFORMATION  
COMPANY CONFIDENTIAL

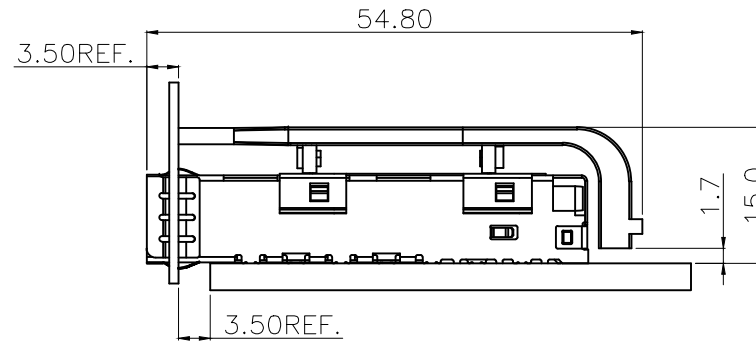
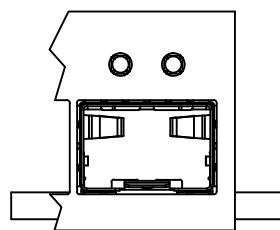
REV	ECN. NO.	DESCRIPTION	ENG	DATE
A		INITIAL	ANDY	08/03/17



BEZEL  
RECOMMENDED PANEL CUTOUT AND PC BOARD  
POSITION AND THICKNESS 0.8-2.6



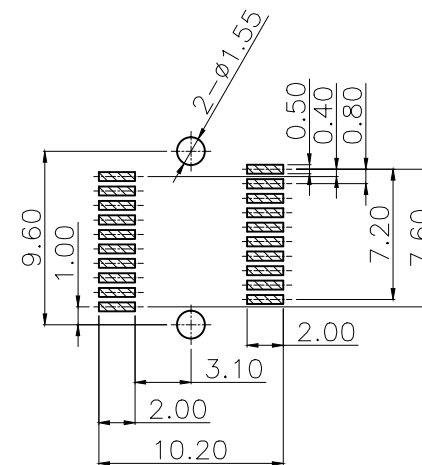
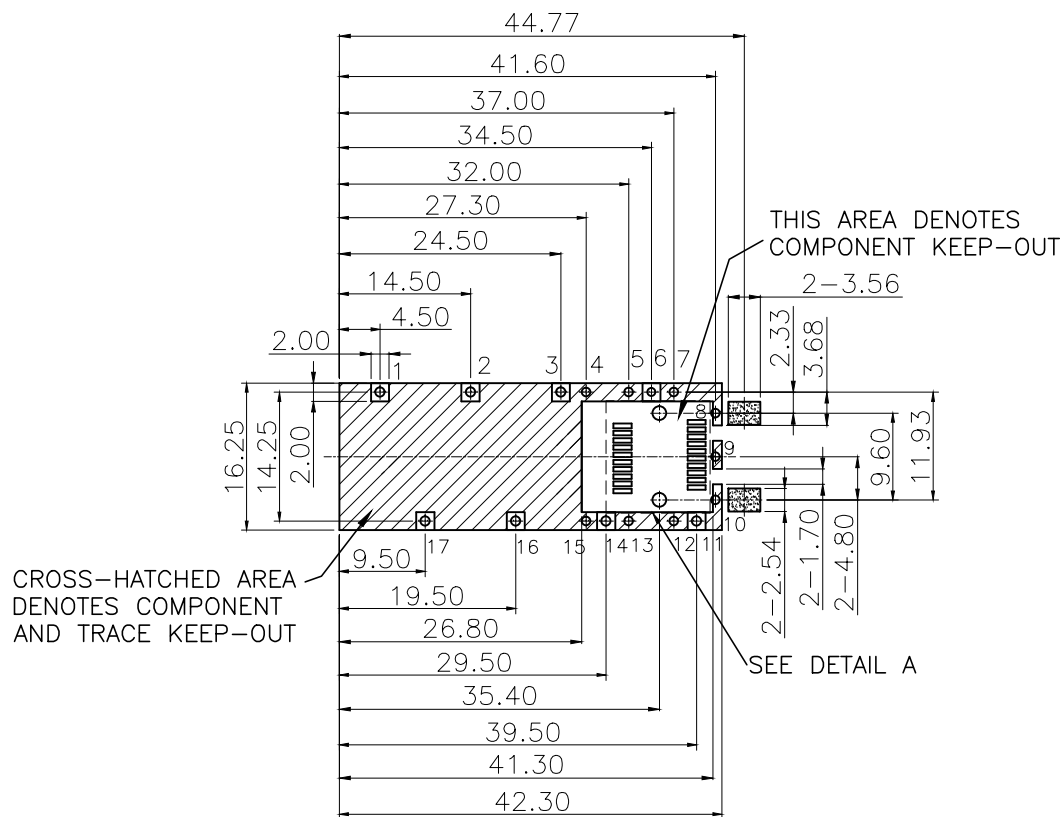
BEZEL OPENING  
BELOW TOP OF PCB



GENERAL TOLERANCE .XX ±0.25 .XXX ±0.15	ANGLE TOLERANCE X.' ±2' .X' ±1'	DRAWN Andy	DATE 08/03/17		TITLE 1X1 SFP+
MATL SEE BOM	FINISH SEE NOTES	CHECKED	DATE		PART NUMBER 107-10042-01
SCALE N/A	UNIT mm	APPROVED Hill	DATE 08/03/17	DRAWING NO. 107-10042	SIZE A4
SHEET 2 OF 3				REV. A	

PROPRIETARY INFORMATION  
COMPANY CONFIDENTIAL

REV	ECN. NO.	DESCRIPTION	ENG	DATE
A		INITIAL	ANDY	08/03/17



DETAIL A(SCALE 2:1)

RECOMMENDED PCB LAYOUT (TOP VIEW)  
(ALL TOLERANCES ARE  $\pm 0.05$ )

NOTE:

- 1,2,3,11,14,16,17#THE HOLE DIAMETER IS:1.05mm;
- 4,5,7,8,9,10,12,13,15#THE HOLE DIAMETER IS:0.95mm;
- 6#THE HOLE DIAMETER IS:0.85mm;

GENERAL TOLERANCE	ANGLE TOLERANCE	DRAWN	DATE	
.XX $\pm 0.25$	X.' $\pm 2'$	Andy	08/03/17	
.XXX $\pm 0.15$	.X' $\pm 1'$	CHECKED	DATE	TITLE 1X1 SFP+
MATL	SEE BOM	APPROVED	DATE	PART NUMBER 107-10042-01
FINISH	SEE NOTES	Hill	08/03/17	DRAWING NO. 107-10042
SCALE	N/A	SHEET	3 OF 3	SIZE A4 REV. A