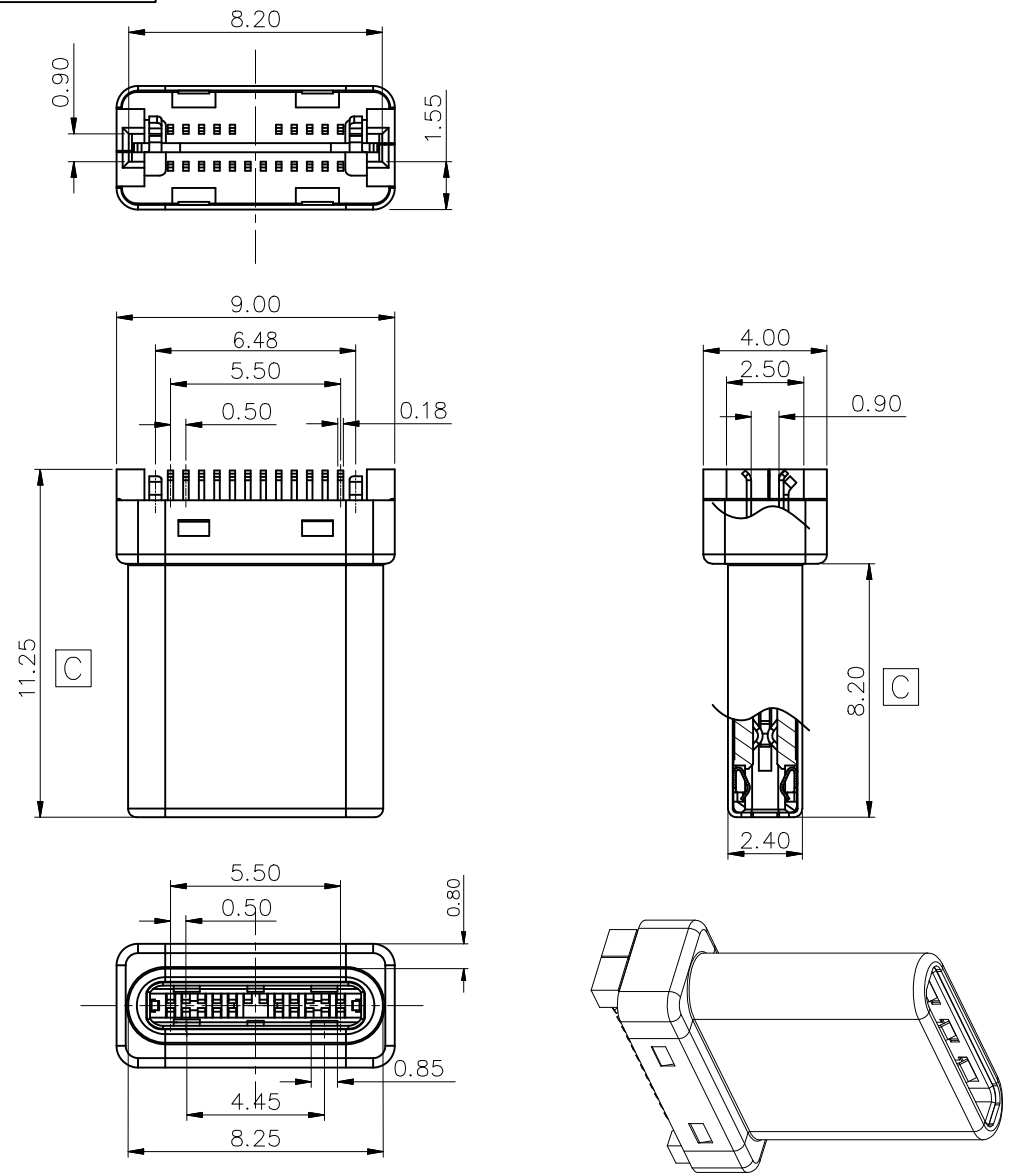


PROPRIETARY INFORMATION  
COMPANY CONFIDENTIAL

REV.	ECN. NO.	DESCRIPTION	ENG	DATE
A		INITIAL	Knight	04/01/15'
B		REMOVE SHELL	Knight	06/23/15'
C		UPDATE DRAWING	Knight	08/25/15'



NOTES:

1. Dimensions Shall Be Interpreted Per Ansi Y14.5m-1994
2. RoHS 6/6 Compliant.

ORDER INFORMATION

USCW-12 22 - B K 5 3 T  
 ① ② ③ ④ ⑤ ⑥ ⑦

1. TYPE:  
USCW-12:USB C-TYPE PLUG
2. POSITIONS:  
22:22 POSITIONS
3. INSULATOR MATERIAL:  
B: LCP
4. INSULATOR COLOR:  
K: BLACK
5. CONTACT PLATING:  
5: GOLD 15u"
6. SHIELD PLATING:  
3: NICKEL PLATING
7. PACKING  
T: TRAY

RoHS 6/6 Compliant.

ITEM	NAME	Q'TY	DESCRIPTION	NOTE
6	GROUND	1	SUS	
5	LATCH	1	SUS,TIN 50u" MIN PLATING ON SOLDER AREA,NICKEL 50u"MIN PLATING OVERALL	
4	FRONT SHELL	1	SUS,NICKEL 50u"MIN PLATING OVERALL	
3	10P/12P MODLING	1	LCP+30%G.F	BLACK
2	CONTACT	22	COPPER ALLOY,GOLD 15u" PLATING ON CONTACT AREA,TIN 60u" MIN PLATING SOLDER AREA,NICKEL 50u" MIN UNDER PLATING OVERALL	
1	HOUSING	1	LCP+30%G.F	BLACK, UL94 V-0

GENERAL TOLERANCE	ANGLE TOLERANCE	DRAWN	DATE
X±0.50	X°±5.0°	<i>Knight</i>	08/25/15'
.X±0.38	.X°±3.0°	CHECKED	DATE
.XX±0.25	.XX°±2.0°	APPROVED	DATE
.XXX±0.15	.XXX°±1.0°	<i>River</i>	08/25/15'

TITLE: USB C-TYPE PLUG CUBBER CORE SEMI-MANUFACTURES	
PART NUMBER: USCW-1222-BK53T	
DRAWING NO. GT26-210440	SIZE A4 REV. C