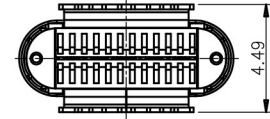
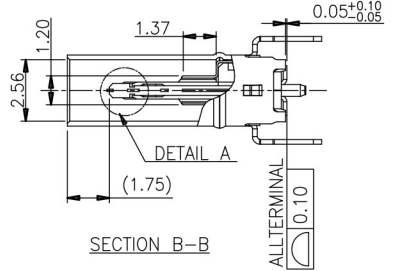
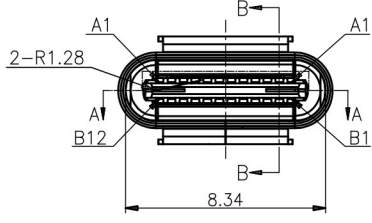
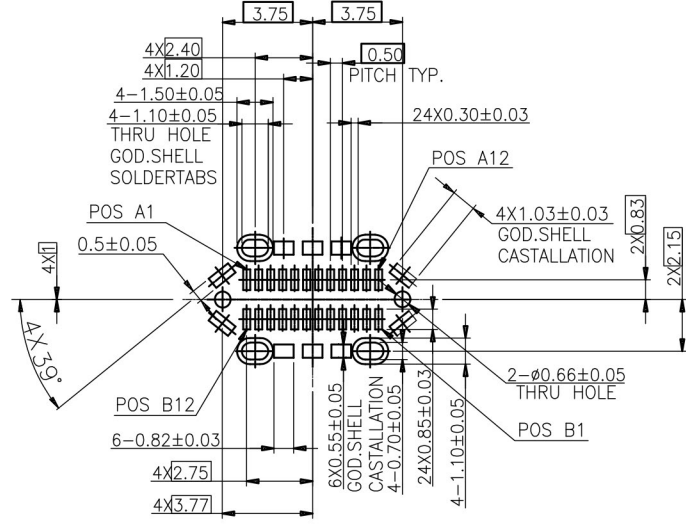
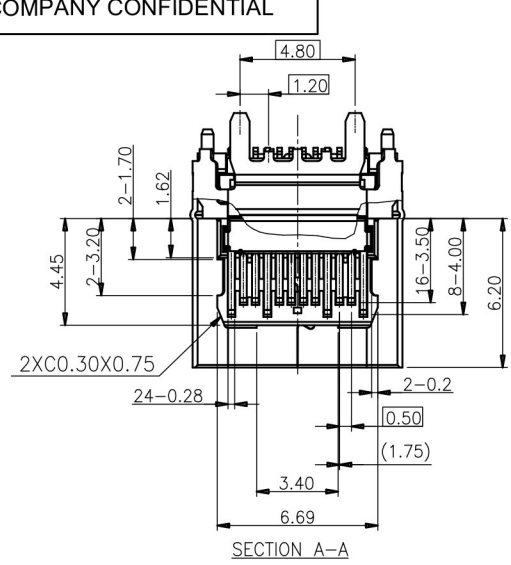


PROPRIETARY INFORMATION
COMPANY CONFIDENTIAL

REV.	ECN. NO.	DESCRIPTION	ENG	DATE
A		INITIAL	Knight	02/04/15'
B		ADD BOM TABLE INFORMATION	Knight	03/06/15'
C		CORRECT MISTAKE	Knight	03/25/15'



ORDER INFORMATION

USCV-20 24 - B K 5 3 R
① ② ③ ④ ⑤ ⑥ ⑦

- TYPE:
USCV-20:USB C TYPE VERTICAL REC
- POSITIONS:
24:24 POSITIONS
- INSULATOR MATERIAL:
B: LCP
- INSULATOR COLOR:
K: BLACK
- CONTACT PLATING:
5: GOLD 15u"
- SHIELD PLATING:
3: NICKEL PLATING
- PACKING
R: TAPE&REEL

ITEM	NAME	Q'TY	DESCRIPTION	NOTE
7	GND SHELL	1	SUS	CLEAN
6	EMI-PLATE SHELL	1	SUS	CLEAN
5	SHELL	1	SUS, NICKEL 50u" MIN PLATING OVERALL	
4	CONTACT	24	COPPER ALLOY, GOLD 15u" MIN PLATING ON CONTACT AREA, MATTE TIN 100u" MIN PLATING SOLDER AREA, NICKEL 50u" MIN UNDER PLATING OVERALL	
3	CAP	1	LCP+30%G.F	BLACK, UL94 V-0
2	CONTACT MOLDING	1	LCP+30%G.F	BLACK, UL94 V-0
1	HOUSING	1	LCP+30%G.F	BLACK, UL94 V-0

GENERAL TOLERANCE	ANGLE TOLERANCE
X ± 0.50	X° ± 5.0°
.X ± 0.38	.X° ± 3.0°
.XX ± 0.25	.XX° ± 2.0°
.XXX ± 0.15	.XXX° ± 1.0°

DRAWN	DATE
<i>knighe</i>	03/25/15'
CHECKED	DATE
APPROVED	DATE
<i>River</i>	03/25/15'

GENESIS TECHNOLOGY, INC.	
TITLE: USB C TYPE VERTICAL REC	
PART NUMBER: USCV-2024-BK53R	
DRAWING NO. GT26-210410	SIZE A4 REV. C