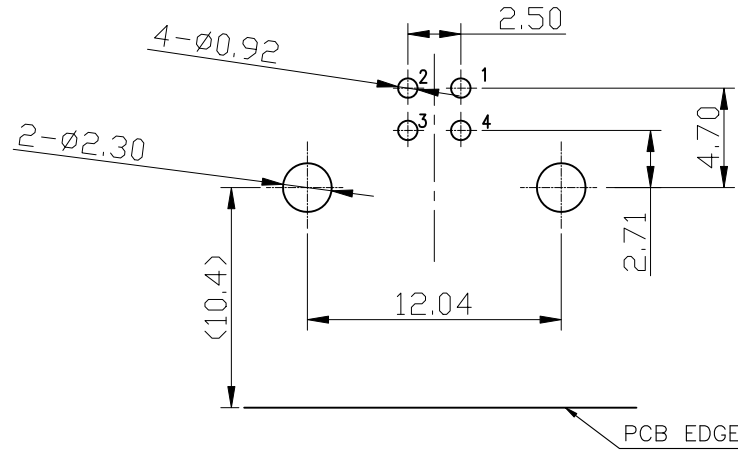
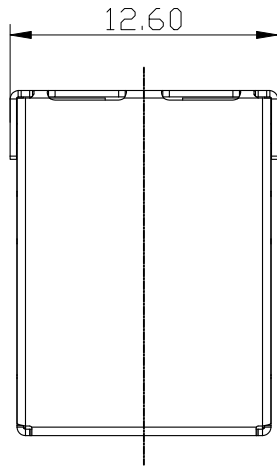
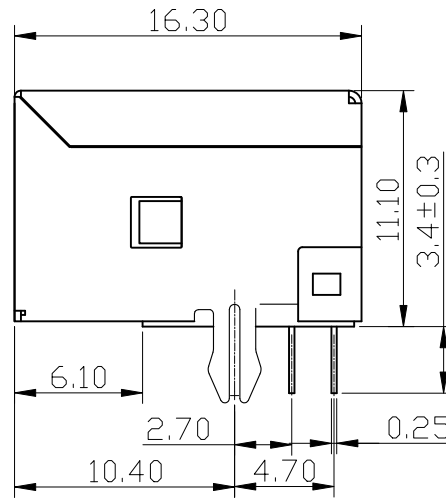
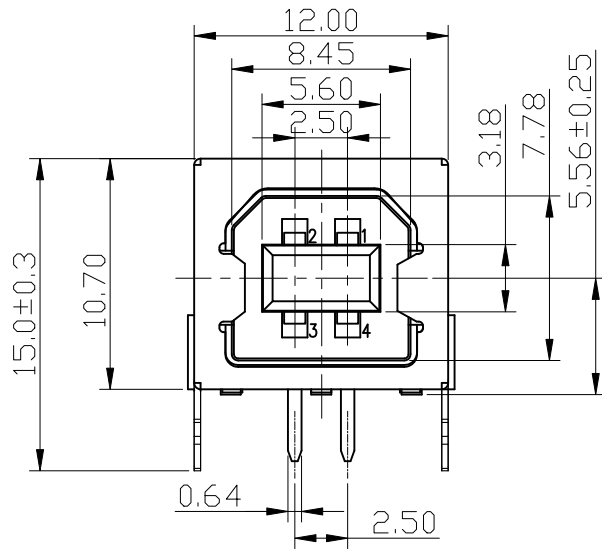


PROPRIETARY INFORMATION
COMPANY CONFIDENTIAL

REV.	ECN. NO.	DESCRIPTION	ENG	DATE
A		INITIAL	Sunny	02/06/15'



RECOMMENDED P.C.B LAYOUT (COMPONENT SIDE)
P.C.B THICKNESS=1.60MM (TOLERANCE=±0.05) TOP VIEW



NOTE:

- CONTACT CURRENT: 1.5A AT 250V AC MIN.
- CONTACT RESISTANCE: 30mΩ MAX.
- INSULATION RESISTANCE: 1000MΩ MIN
- WITHSTAND VOLTAGE: 500V AC MAX WITH 1 MINUTE
- VOLTAGE RATING: 30V DC
- OPERATING TEMPERATURE: -30°C TO +85°C
- INSERTION FORCE : 3.5(KG)MAX.
- EXTRACTION FORCE : 1.0(KG)MAX.
- RoHS 6/6 COMPLIANT.

PART NUMBER:

USB-28 04-A K 1 3 T
① ②③④⑤⑥⑦

1.CONNECTOR:

USB-28:USB B TYPE RECEPTACLE RIGHT ANGLE

2.POSITIONS:

04: 4 POSITIONS

3.INSULATOR MATERIAL:

A: PBT

4.INSULATOR COLOR:

K: BLACK

5.CONTACT PLATING:

1: GOLD FLASH

6.SHIELD PLATING:

3: NICKEL PLATING

7.PACKING:

T: TRAY

GENERAL TOLERANCE X.±0.50 .X±0.38 .XX±0.25 .XXX±0.15	ANGLE TOLERANCE X°± 5.0° .X°± 3.0° .XX°± 2.0° .XXX°± 1.0°	DRAWN Sunny	DATE 02/06/15'	
MATL SEE BOM	FINISH SEE NOTES	CHECKED	DATE	
SCALE N/A	UNIT mm	APPROVED River	DATE 02/06/15'	PART NUMBER USB-2804-AK13T
SHEET 1 OF 1				DRAWING NO. GT26-210405
NOTE				SIZE A4
				REV. A

3	CONTACT	4	BRASS,GOLD FLASH ON CONTACT AREA,TIN 100u*MIN PLATING ON SOLDER TAIL,NICKEL 50u*MIN UNDER PLATING OVERALL.
2	SHELL	1	SPCC,PLATING 80u*MIN NICKEL OVERALL
1	HOUSING	1	PBT+30%GF,COLOR BLACK
ITEM	NAME	Q'TY	DESCRIPTION

UL94-V0