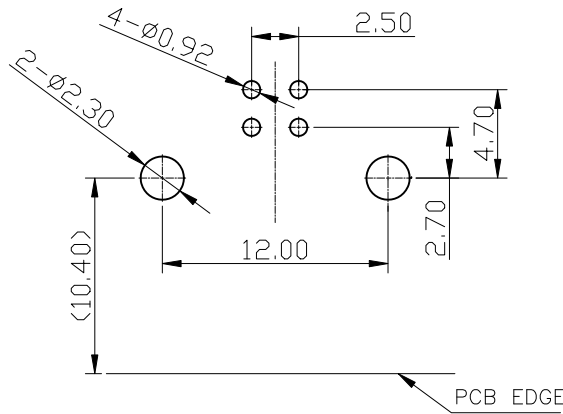
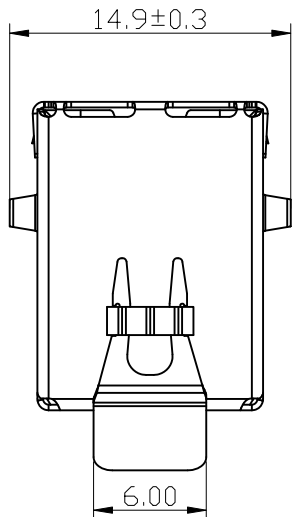


PROPRIETARY INFORMATION
COMPANY CONFIDENTIAL

REV.	ECN. NO.	DESCRIPTION	ENG	DATE
A		INITIAL	Sunny	02/05/15'

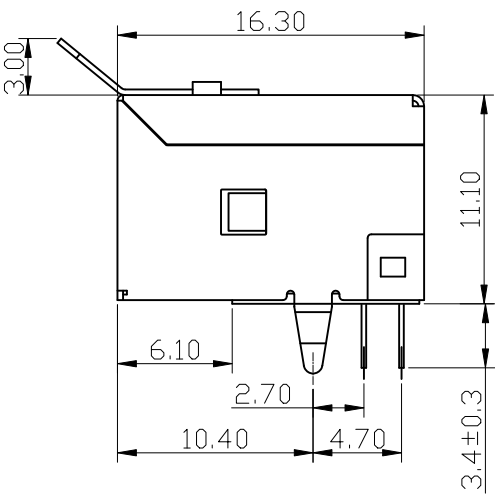
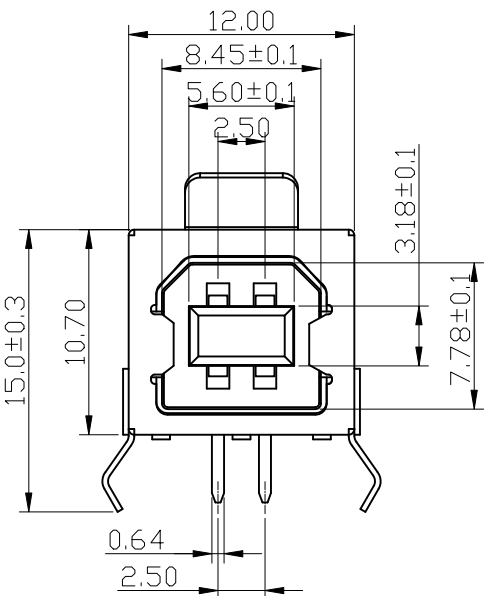


RECOMMENDED P.C.B LAYOUT (COMPONENT SIDE)
P.C.B THICKNESS=1.60MM (TOLERANCE=±0.05)

- NOTE:
- CONTACT CURRENT: 1.5A.
 - CONTACT RESISTANCE: 30mΩ MAX.
 - INSULATION RESISTANCE: 1000MΩ MIN
 - WITHSTAND VOLTAGE: 500V AC MAX
 - VOLTAGE RATING: 30V DC
 - OPERATING TEMPERATURE: -30°C TO +85°C
 - INSERTION FORCE : 3.5(KG)MAX.
 - EXTRACTION FORCE : 1.0(KG)MAX.
 - RoHS 6/6 COMPLIANT.

PART NUMBER:
USBR-27 04-A K 1 3 T
① ② ③ ④ ⑤ ⑥ ⑦

- 1.CONNECTOR:
USB-27: USB B TYPE
- 2.POSITIONS:
04: 4 POSITIONS
- 3.INSULATOR MATERIAL:
A: PBT
- 4.INSULATOR COLOR:
K: BLACK
- 5.CONTACT PLATING:
1: GOLD FLASH
- 6.SHIELD PLATING:
3: NICKEL PLATING
- 7.PACKING:
T: TRAY



GENERAL TOLERANCE X.±0.50 .X±0.38 .XX±0.25 .XXX±0.15	ANGLE TOLERANCE X°± 5.0° .X°± 3.0° .XX°± 2.0° .XXX°± 1.0°	DRAWN Sunny DATE 02/05/15'	 TITLE: USB B TYPE PART NUMBER: USBR-2704-AK13T DRAWING NO. GT26-210404 SIZE A4 REV. A
MATL SEE BOM	FINISH SEE NOTES	CHECKED DATE	
SCALE N/A	UNIT mm	APPROVED River DATE 02/05/15'	
SHEET 1 OF 1			

3	CONTACT	4	BRASS,GOLD FLASH ON CONTACT AREA,TIN 100u"MIN PLATING ON SOLDER TAIL,NICKEL 50u"MIN UNDER PLATING OVERALL.
2	SHELL	1	SPCC,PLATING 80u"MIN NICKEL OVERALL
1	HOUSING	1	PBT+30%GF,COLOR BLACK
ITEM	NAME	Q'TY	DESCRIPTION

UL94-V0
NOTE