

PROPRIETARY INFORMATION  
COMPANY CONFIDENTIAL

REV.	ECN. NO.	DESCRIPTION	ENG	DATE
A		INITIAL	Jeff	07/18/13'
B		UPDATE DRAWING	Knight	11/05/14'

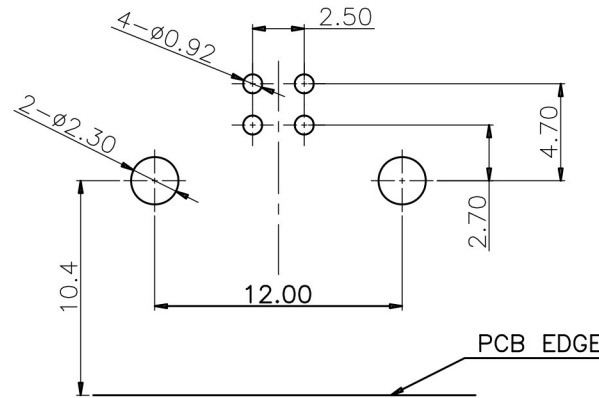
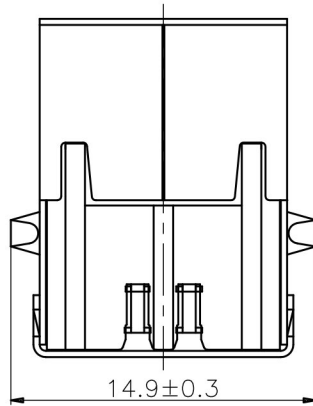
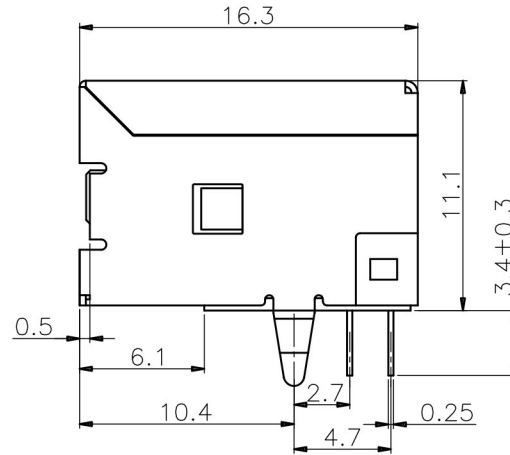
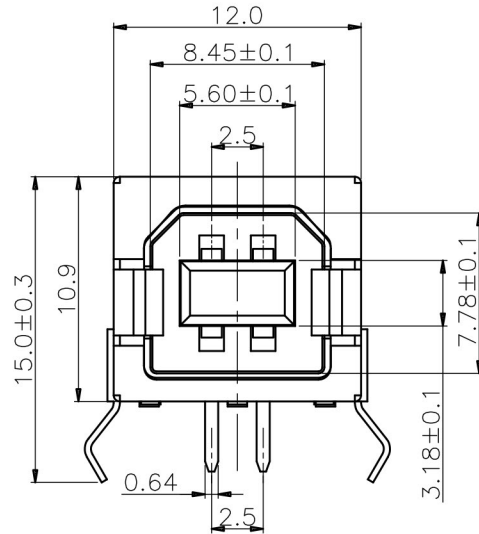
NOTES:

- CONTACT RESISTANCE:30m MAX WHEN MEASURED AT 20MV MAX. OPEN CIRCUIT AT 10MA
- DIELECTRIC WITHSTANDING VOLAGE:500V AC MAX WITH 1MINUTE
- INSULATION RESISTANCE:1000M MIN
- CONTACT CURRENT RATING: 1.5A AT 250V AC MIN
- VOLTAGE RATING:30V DC
- INSERTION FORCE:3.5Kgf MAX
- WITHDRAWAL FORCE:1.0Kgf MIN
- OPERATING TEMPERATURE:-30°C TO +85°C
- STORAGE TEMPERATURE:-30°C TO +85°C
- RoHS COMPLIANCE

ORDER INFORMATION:

USBR-2304-A W 3 3 T  
① ②③④⑤⑥⑦

- CONNECTOR:  
USBR-23:USB B TYPE DIP CONNECTOR
- POSITION:  
04:04 POSITIONS
- INSULATIR MATERIAL:  
A:PBT
- INSULATOR COLOR:  
W:WHITE
- CONTACT PLATING:  
3:GOLD 5u"
- SHIELD PLATING:  
3:NICKEL PLATING
- PACKING:  
T:TRAY



RECOMMENDED P.C.B LAYOUT COMPONENT SIDE  
P.C.B THICKNESS=1.60MM TOLERANCE=±0.05

GENERAL TOLERANCE X±0.50 .X±0.38 .XX±0.25 .XXX±0.15	ANGLE TOLERANCE X°±5.0° .X°±3.0° .XX°±2.0° .XXX°±1.0°	DRAWN <i>knighe</i>	DATE 11/05/14'	
MATL SEE BOM	FINISH SEE NOTES	CHECKED	DATE	
SCALE N/A	UNIT mm	APPROVED <i>River</i>	DATE 11/05/14'	PART NUMBER USBR-2304-AW33T
SHEET 1 OF 1	NOTE			DRAWING NO. GT20-200218
				SIZE A4
				REV. B

ITEM	NAME	Q'TY	DESCRIPTION
3	SHEEL	1	SPCC, NICKEL 80u" MIN PLATING OVERALL
2	CANTACT	4	BRASS,Au 5u" PLATING ON CONTACT AREA,TIN 120u" MIN PLATING ON SOLDER AREA,NICKEL 50u" MIN UNDER PLATING OVERALL
1	HOUSING	1	PBT+30%G.F