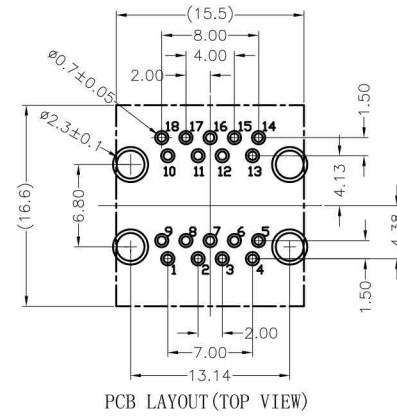
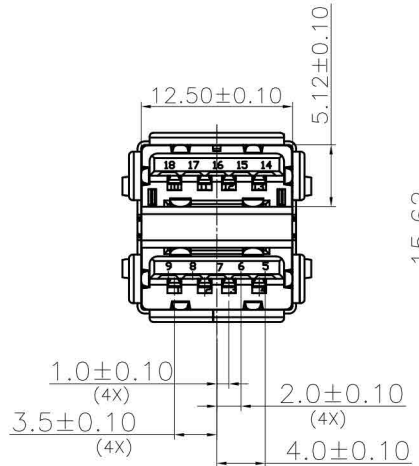
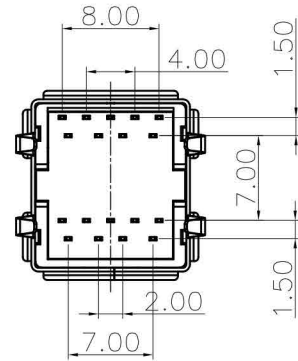
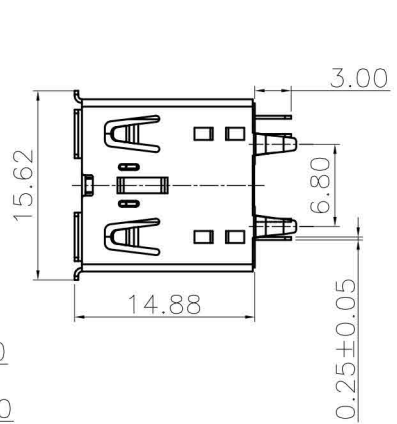
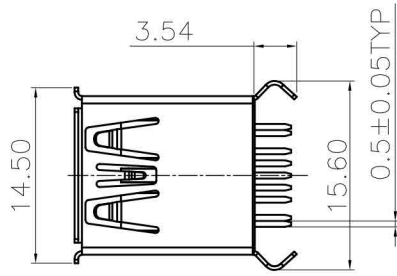


PROPRIETARY INFORMATION  
COMPANY CONFIDENTIAL

REV.	ECN. NO.	DESCRIPTION	ENG	DATE
A		INITIAL	Knight	07/31/14'
B		ADD PLATING OPTION	Knight	08/06/14'



NOTES:

1. MATERIAL:

- 1.1 HOUSING: PBT+30%G. F, UL94 V-0, COLOR: BLUE.
- 1.2 CONTACTS: BRASS(T=0.25mm)
- 1.3 SHELL: BRASS (T=0.30mm)

NOTE:

ORDER INFORMATION:

USAV-2718-ABX3T  
① ② ③④⑤⑥

1.CONNECTOR:

USAV-27: USB3.0 180 DIP H=14.88mm

2.POSITIONS

18: 18 POSITIONS

3.INSULATOR MATERIAL

A: PBT

4.INSULATOR COLOR

B: BLUE

5.CONTACT PLATING

- 1: GOLD FLASH
- 8: 6u" GOLD PLATING

6.SHIELD PLATING

3: NI PLATING

7.PACKING

T:TRAY

GENERAL TOLERANCE X±0.50 .X±0.38 .XX±0.25 .XXX±0.15	ANGLE TOLERANCE X°±5.0° .X°±3.0° .XX°±2.0° .XXX°±1.0°	DRAWN <i>Knight</i>	DATE 08/06/14'	 <b>TITLE</b> USB3.0 180 DIP H=14.88mm <b>PART NUMBER</b> USAV-2718-ABX3T <b>DRAWING NO.</b> GT23-210182 <b>SIZE</b> A4 <b>REV.</b> B
MATL SEE BOM	FINISH SEE NOTES	CHECKED	DATE	
SCALE N/A	UNIT mm	APPROVED <i>River</i>	DATE 08/06/14'	
SHEET 1 OF 1				

ITEM	NAME	Q'TY	DESCRIPTION	NOTE
3	SHELL	1	BRASS	NI(50u" MIN) PLATING OVERALL
2	CONTACT	18	BRASS	NI(50u" MIN) UNDER PLATING OVERALL TIN(60u" MIN) PLATING ON SOLDER AREA AU PLATING ON CONTACT AREA
1	HOUSING	1	PBT	BLUE, UL94V-0