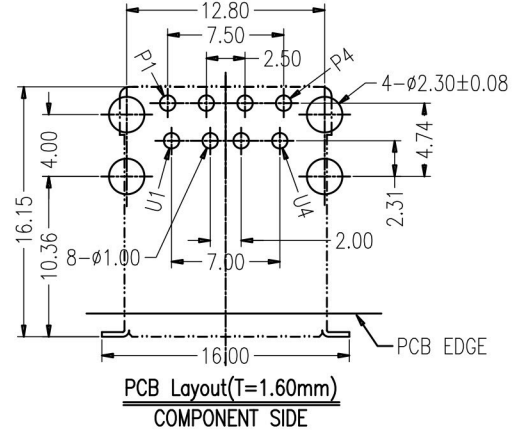
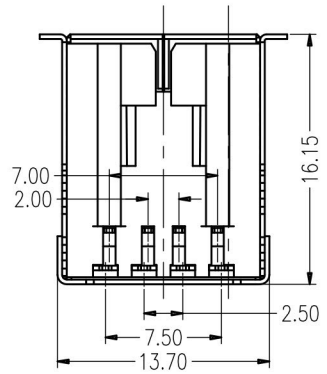
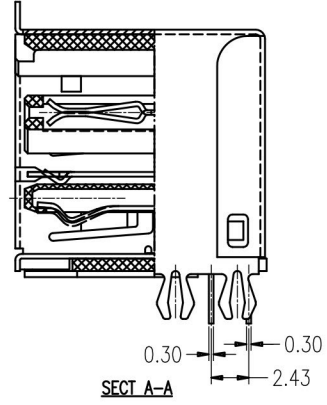
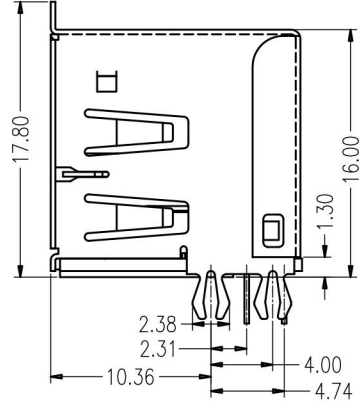
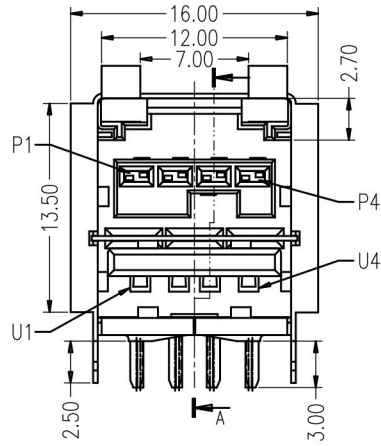


PROPRIETARY INFORMATION
COMPANY CONFIDENTIAL

REV	ECN. NO.	DESCRIPTION	ENG	DATE
A		INITIAL	Knight	08/26/15'



NOTES:

1. Rated Voltage and Current : 3.0A at 250V AC Min;
2. Contact Resistance: 30mΩ Max.
3. Insulation Resistance: 1000 MΩ Min At 500V DC.
4. Dielectric Withstanding Voltage: 500V AC For 1 minute.
5. Insertion Force: 35N Max;
6. Extraction Force: 10N Min.
7. Durability: 1500 cycles.
8. Operating Temperature:-55°C to +85°C

ORDER INFORMATION

USAR-8Y 08 - D X 6 3 T

- ① ② ③ ④ ⑤ ⑥ ⑦

1. TYPE:

USAR-8Y:USB +POWER PLUG (WITH EAR)

2. POSITIONS:

08:08 POSITIONS

3. INSULATOR MATERIAL:

D: PA66

4. INSULATOR COLOR:

K: BLACK (5V)

G: GREEN (12V)

R: RED(24V)

5. CONTACT PLATING:

6: GOLD 30u"

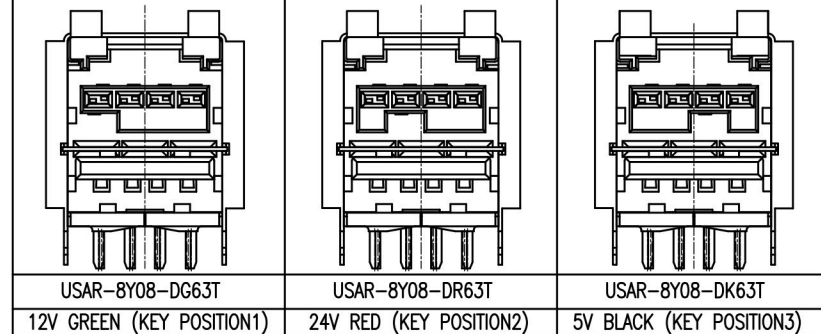
6. SHIELD PLATING:

3: NICKEL PLATING

7. PACKING

T: TRAY

USB Connector Assignment	
Pin Number	Signal Name
U1	VBUS
U2	D-
U3	D+
U4	GDN



GENERAL TOLERANCE X±0.50 .X±0.40 .XX±0.30 .XXX±0.20	ANGLE TOLERANCE X°±5.0° .X°±3.0° .XX°±2.0° .XXX°±1.0°	DRAWN <i>knighe</i>	DATE 08/26/15'	
MATERIAL SEE BOM		CHECKED	DATE	
FINISH SEE NOTES		APPROVED <i>River</i>		DATE 08/26/15'
SCALE N/A	UNIT mm	SHEET 1 OF 1		PART NUMBER USAR-8Y08-DX63T
				DRAWING NO. GT26-210589
				SIZE A4
				REV. A

ITEM	NAME	Q'TY	DESCRIPTION	NOTE
3	SHELL	1	PHOSPHOR BRONZE, NICKEL 40u" MIN PLATING OVERALL	
2	CONTACT	08	PHOSPHOR BRONZE, GOLD 30u" PLATING ON CONTACT AREA, TIN 100u" MIN PLATING SOLDER AREA, NICKEL 40u" MIN UNDER PLATING OVERALL	
1	HOUSING	1	PA66+30%G.F., COLOR SEE ORDER INFORMATION	UL94 V-0