

PROPRIETARY INFORMATION  
COMPANY CONFIDENTIAL

REV.	ECN. NO.	DESCRIPTION	ENG	DATE
A		INITIAL	Knight	02/04/15'

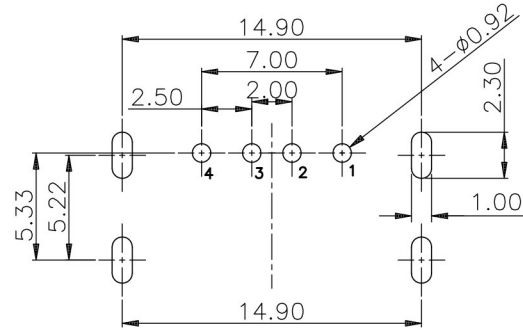
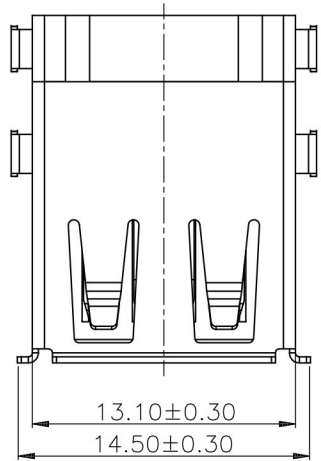
NOTES:

1. CURRENT RATING: 1.5A
2. DIELECTRIC WITHSTANDING VOLTAGE: 500V AC MAX
3. INSULATION RESISTANCE: 1000MΩ MIN
4. CONTACT RESISTANCE: 30mΩ MAX
5. INSERTION FORCE: 3.5(KG) MAX
6. EXTRACTION FORCE: 1.0~3.5(KG) MIN
7. DURABILITY 1500 CYCLES
8. RoHS COMPLIANCE

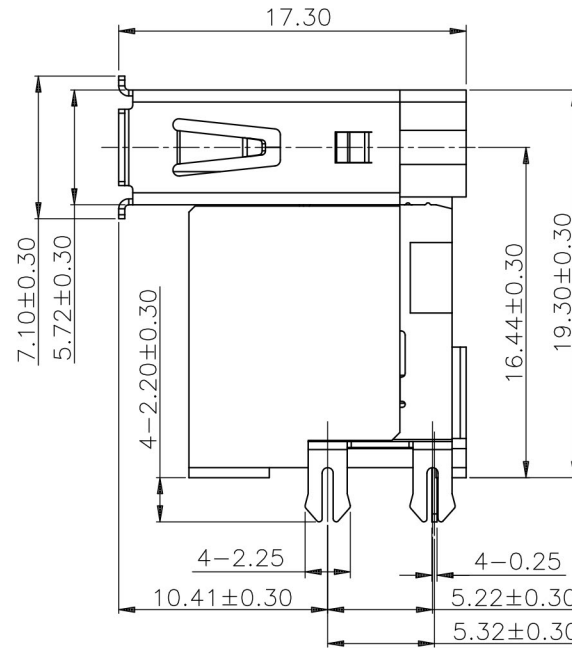
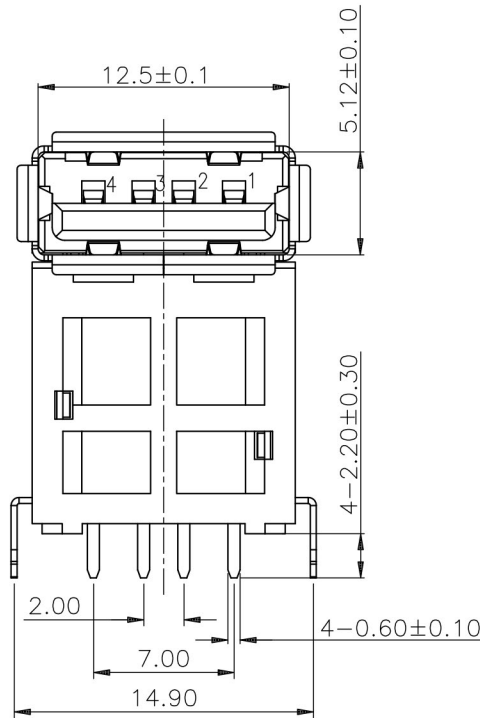
ORDER INFORMATION

USAR-8K 04 - A K 1 3 T  
 ① ② ③④ ⑤⑥⑦

1. TYPE:  
USAR-8K:USB A TYPE DIP CH=16.44mm
2. POSITIONS:  
04:04 POSITIONS
3. INSULATOR MATERIAL:  
A: PBT
4. INSULATOR COLOR:  
K: BLACK
5. CONTACT PLATING:  
1: GOLD FLASH
6. SHIELD PLATING:  
3: NICKEL PLATING
7. PACKING  
T: TRAY



RECOMMENDED P.C.B LAYOUT COMPONENT SIDE  
P.C.B THICKNESS=1.20mm TOLERANCE=±0.05



4	FORK	4	SPCC, NICKEL 80u" MIN PLATING OVERALL
3	SHELL	1	SPCC, NICKEL 80u" MIN PLATING OVERALL
2	CONTACT	4	BRASS, GOLD FLASH PLATING ON CONTACT AREA, TIN 100u" MIN PLATING SOLDER AREA, NICKEL 50u" MIN UNDER PLATING OVERALL
1	HOUSING	1	PBT+30%G.F
ITEM	NAME	Q'TY	DESCRIPTION

GENERAL TOLERANCE X±0.50 .X±0.38 .XX±0.25 .XXX±0.15	ANGLE TOLERANCE X°±5.0° .X°±3.0° .XX°±2.0° .XXX°±1.0°	DRAWN <i>hmg</i>	DATE 02/04/15'	
MATERIAL SEE BOM		CHECKED	DATE	
FINISH SEE NOTES		APPROVED <i>River</i>		TITLE USB A TYPE DIP CH=16.44mm
SCALE N/A	UNIT mm	DATE 02/04/15'		PART NUMBER USAR-8K04-AK13T
SHEET 1 OF 1				DRAWING NO. GT26-210382
				SIZE A4 REV. A