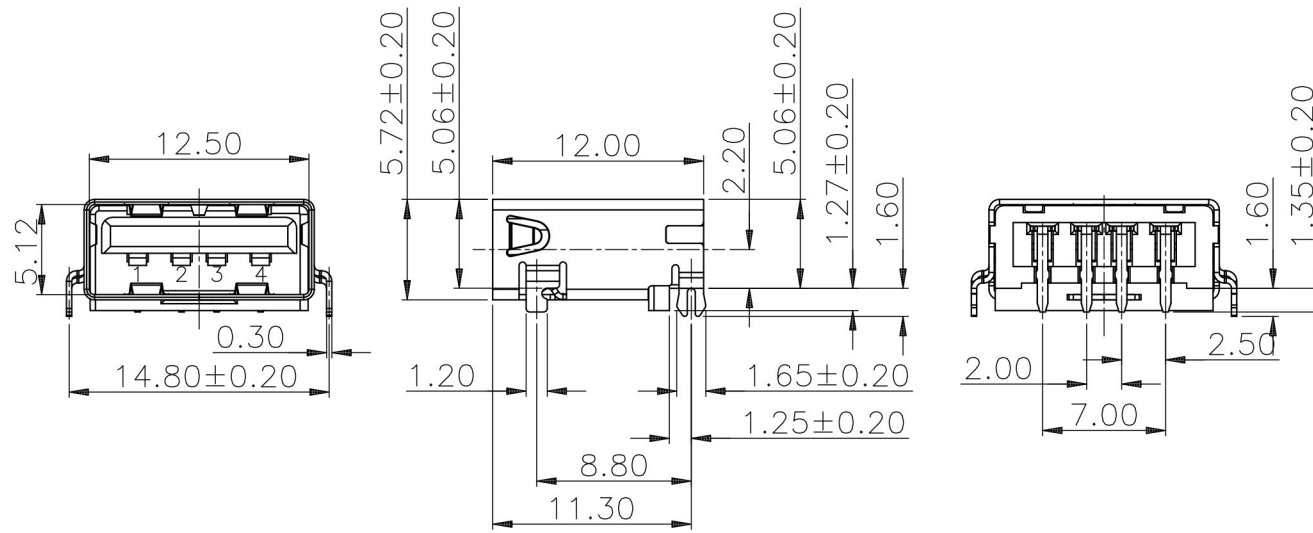


PROPRIETARY INFORMATION
COMPANY CONFIDENTIAL

REV	ECN. NO.	DESCRIPTION	ENG	DATE
A		INITIAL	Knight	02/04/15'



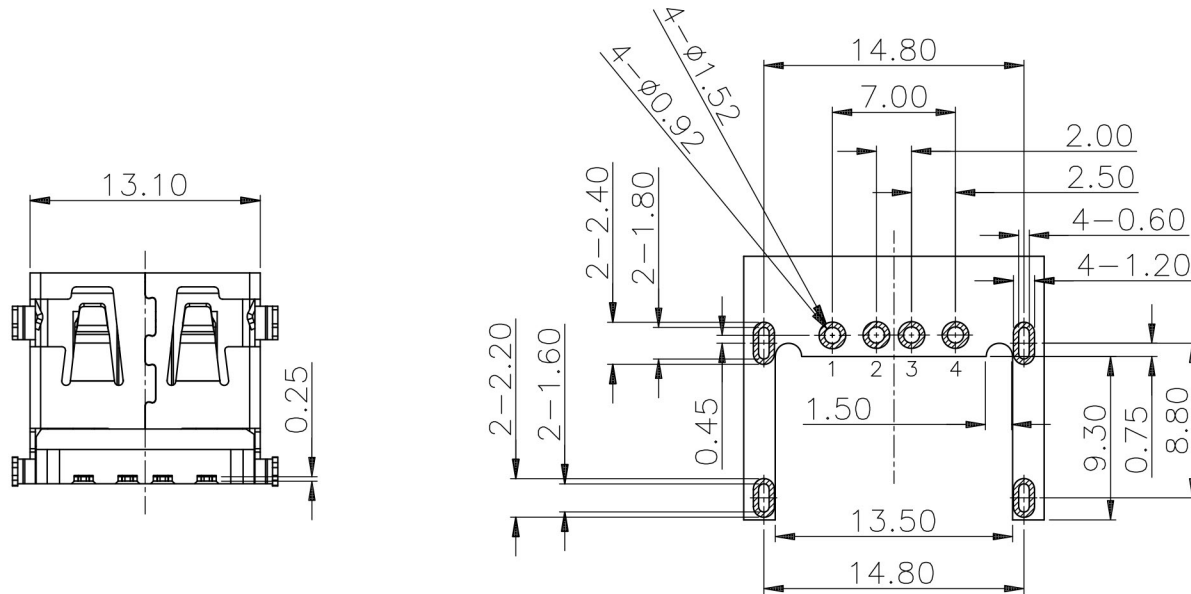
NOTES:

- CURRENT RATING:1.5A
- DIELECTRIC WITHSTANDING VOLTAGE:500V AC MAX
- INSULATION RESISTANCE:1000MΩ MIN
- CONTACT RESISTANCE:30m MAX
- INSERTION FORCE:3.5kgf MAX
- EXTRACTION FORCE:1.0kgf MIN
- RoHS COMPLIANCE

ORDER INFORMATION

USAR-8H 04 - F K 1 3 T
① ② ③ ④ ⑤ ⑥ ⑦

- TYPE:
USAR-8H:USB A TYPE DIP CH=2.2
- POSITIONS:
04:04 POSITIONS
- INSULATOR MATERIAL:
F: PA9T
- INSULATOR COLOR:
K: BLACK
- CONTACT PLATING:
1: GOLD FLASH
- SHIELD PLATING:
3: NICKEL PLATING
- PACKING
T: TRAY



RECOMMENDED P.C.B LAYOUT COMPONENT SIDE
P.C.B THICKNESS=1.20mm TOLERANCE=±0.05

ITEM	NAME	Q'TY	DESCRIPTION	NOTE
3	SHELL	1	SPCC, NICKEL 80u" MIN PLATING OVERALL	
2	CONTACT	4	BRASS,GOLD FLASH PLATING ON CONTACT AREA,TIN 100u" MIN PLATING SOLDER AREA,NICKEL 50u" MIN UNDER PLATING OVERALL	
1	HOUSING	1	PA9T	BLACK, UL94 V-0

GENERAL TOLERANCE X±0.50 .X±0.38 .XX±0.25 .XXX±0.15	ANGLE TOLERANCE X°±5.0° .X°±3.0° .XX°±2.0° .XXX°±1.0°	DRAWN <i>hmghe</i>	DATE 02/04/15'		TITLE USB A TYPE DIP CH=2.2
MATL SEE BOM	FINISH SEE NOTES	CHECKED	DATE		PART NUMBER USAR-8H04-FK13T
SCALE N/A	UNIT mm	APPROVED <i>River</i>	DATE 02/04/15'	DRAWING NO. GT26-210379	SIZE A4 REV. A
SHEET 1 OF 1					