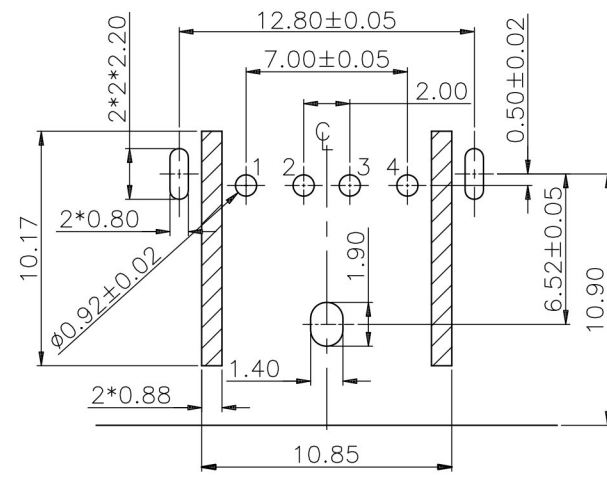
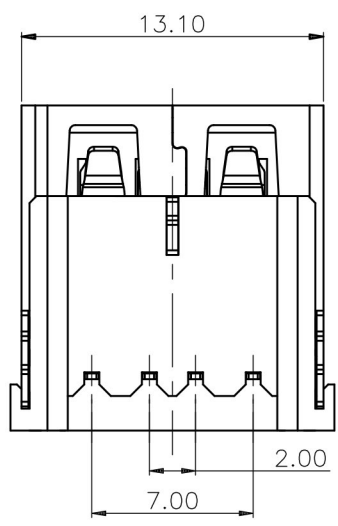
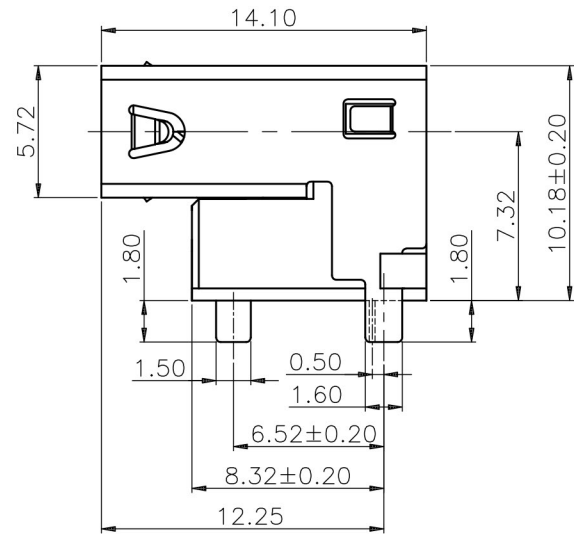
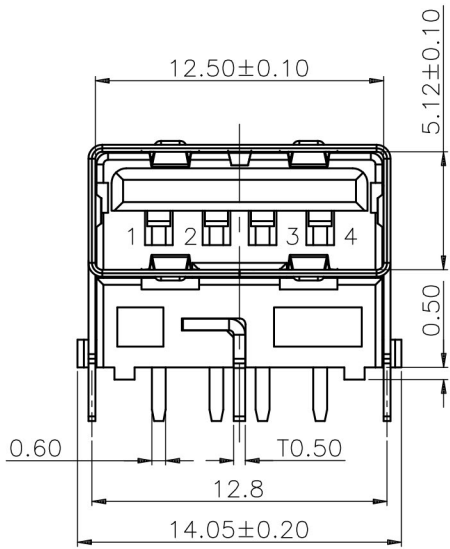


PROPRIETARY INFORMATION  
COMPANY CONFIDENTIAL

REV	ECN. NO.	DESCRIPTION	ENG	DATE
A		INITIAL	Knight	02/04/15'



RECOMMENDED P.C.B LAYOUT COMPONENT SIDE  
P.C.B THICKNESS=1.20mm TOLERANCE=±0.05

NOTES:

- CURRENT RATING: 1.5A
- DIELECTRIC WITHSTANDING VOLTAGE: 500V AC MAX
- INSULATION RESISTANCE: 1000MΩ MIN
- CONTACT RESISTANCE: 30mΩ MAX
- INSERTION FORCE: 3.5kgf MAX
- EXTRACTION FORCE: 1.0kgf MIN
- RoHS COMPLIANCE

ORDER INFORMATION

USAR-8F 04 - F K 1 3 T  
① ② ③ ④ ⑤ ⑥ ⑦

- TYPE:  
USAR-8F:USB A TYPE DIP
- POSITIONS:  
04:04 POSITIONS
- INSULATOR MATERIAL:  
F: PA9T
- INSULATOR COLOR:  
K: BLACK
- CONTACT PLATING:  
1: GOLD FLASH
- SHIELD PLATING:  
3: NICKEL PLATING
- PACKING  
T: TRAY

ITEM	NAME	Q'TY	DESCRIPTION	NOTE
4	FORK	1	SPCC, NICKEL 80u" MIN PLATING OVERALL	
3	SHELL	1	SPCC, NICKEL 80u" MIN PLATING OVERALL	
2	CONTACT	4	BRASS, GOLD FLASH PLATING ON CONTACT AREA, TIN 100u" MIN PLATING SOLDER AREA, NICKEL 50u" MIN UNDER PLATING OVERALL	
1	HOUSING	1	PA9T	BLACK, UL94 V-0

GENERAL TOLERANCE X±0.50 .X±0.38 .XX±0.25 .XXX±0.15	ANGLE TOLERANCE X°±5.0° .X°±3.0° .XX°±2.0° .XXX°±1.0°	DRAWN <i>Knight</i>	DATE 02/04/15'
MATL SEE BOM	FINISH SEE NOTES	CHECKED	DATE
SCALE N/A	UNIT mm	APPROVED <i>River</i>	DATE 02/04/15'
SHEET 1 OF 1			

<b>GENESIS</b> TECHNOLOGY, INC.	
TITLE: USB A TYPE DIP (H=7.32)	
PART NUMBER: USAR-8F04-FK13T	
DRAWING NO. GT26-210376	SIZE A4 REV. A