

PROPRIETARY INFORMATION
COMPANY CONFIDENTIAL

REV	ECN. NO.	DESCRIPTION	ENG	DATE
A		INITIAL	Knight	02/04/15'

NOTES:

1. CURRENT RATING:1.5A
2. DIELECTRIC WITHSTANDING VOLTAGE:500V AC MAX
3. INSULATION RESISTANCE:1000MΩ MIN
4. CONTACT RESISTANCE: 30mΩ MAX
5. INSERTION FORCE: 3.5(KGF) MAX
6. EXTRACTION FORCE:1.0(KGF) MIN
7. RoHS COMPLIANCE

ORDER INFORMATION

USAR-8D 04 - B K X 3 T
① ② ③ ④ ⑤ ⑥ ⑦

1. TYPE:

USAR-8D:USB A TYPE DIP TYPE REVERSE

2. POSITIONS:

04:04 POSITIONS

3. INSULATOR MATERIAL:

B: LCP

4. INSULATOR COLOR:

K: BLACK

5. CONTACT PLATING:

1: GOLD FLASH

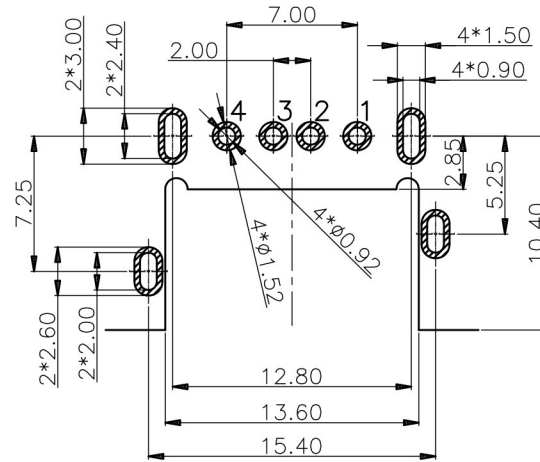
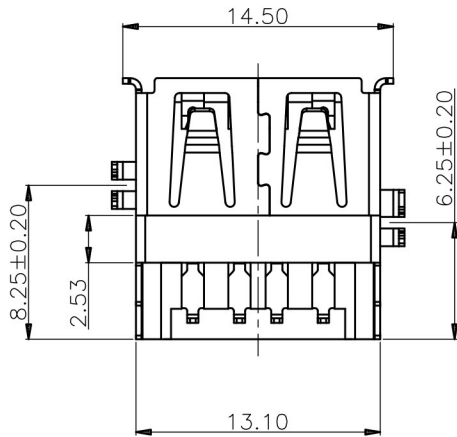
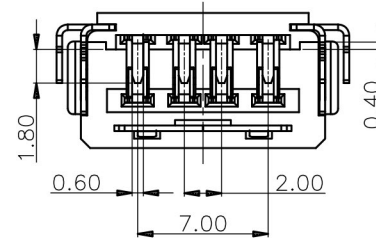
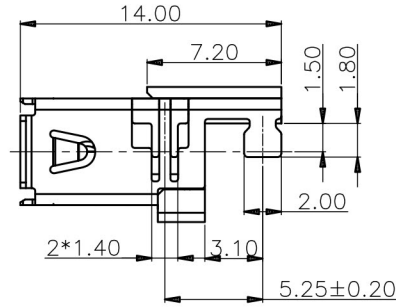
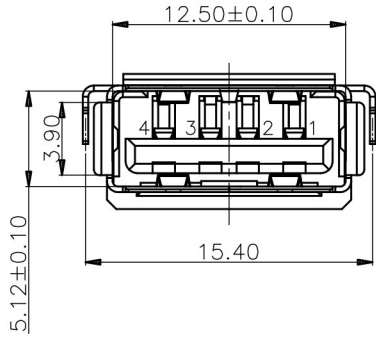
6: Au 30u"

6. SHIELD PLATING:

3: NICKEL PLATING

7. PACKING

T: TRAY



RECOMMENDED P.C.B LAYOUT (COMPONENT SIDE)
P.C.B THICKNESS=1.20MM (TOLERANCE=±0.05)

3	SHELL	1	SPCC, NICKEL 80u" MIN PLATING OVERALL
2	CONTACT	4	BRASS, GOLD PLATING ON CONTACT AREA, TIN 100u" MIN PLATING SOLDER AREA, NICKEL 50u" MIN UNDER PLATING OVERALL
1	HOUSING	1	LCP+30%G.F
ITEM	NAME	Q'TY	DESCRIPTION

BLACK, UL94 V-0
NOTE

GENERAL TOLERANCE X±0.50 .X±0.38 .XX±0.25 .XXX±0.15	ANGLE TOLERANCE X°±5.0° .X°±3.0° .XX°±2.0° .XXX°±1.0°	DRAWN <i>knighe</i>	DATE 02/04/15'	 TITLE USB A TYPE DIP TYPE REVERSE PART NUMBER USAR-8D04-BKX3T DRAWING NO. GT26-210374 SIZE A4 REV. A
MATL SEE BOM	FINISH SEE NOTES	CHECKED	DATE	
SCALE N/A	UNIT mm	APPROVED <i>River</i>	DATE 02/04/15'	
SHEET 1 OF 1				