

PROPRIETARY INFORMATION  
COMPANY CONFIDENTIAL

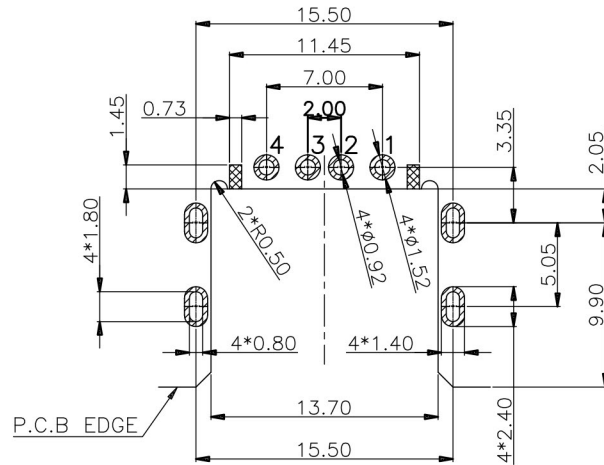
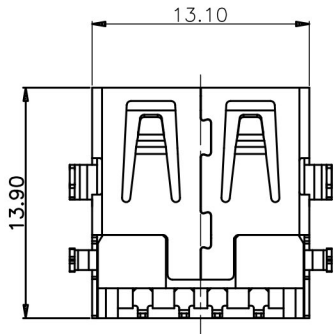
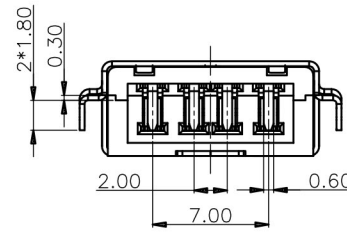
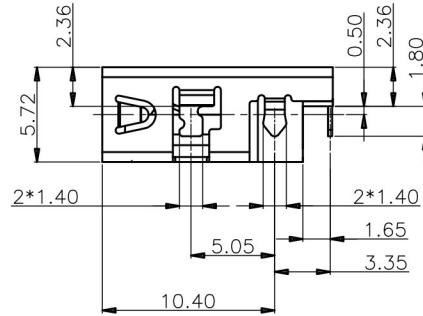
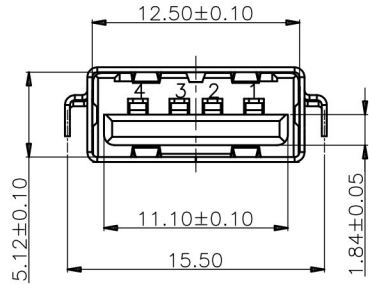
REV	ECN. NO.	DESCRIPTION	ENG	DATE
A		INITIAL	Knight	02/04/15'

NOTES:

1. CURRENT RATING: 1.5A
  2. DIELECTRIC WITHSTANDING VOLTAGE: 500V AC MAX
  3. INSULATION RESISTANCE: 1000MΩ MIN
  4. CONTACT RESISTANCE: 30mΩ MAX
  5. INSERTION FORCE: 3.5kgf MAX
  6. EXTRACTION FORCE: 1.0~3.5kgf
  7. DYEABILITY: 5000 CYCLE
  8. RoHS COMPLIANCE
- ORDER INFORMATION

USAR-8C 04 - B K 1 3 T  
① ② ③ ④ ⑤ ⑥ ⑦

1. TYPE:  
USAR-8C:USB A TYPE DIP REVERSE
2. POSITIONS:  
04:04 POSITIONS
3. INSULATOR MATERIAL:  
B: LCP
4. INSULATOR COLOR:  
K: BLACK
5. CONTACT PLATING:  
1: GOLD FLASH
6. SHIELD PLATING:  
3: NICKEL PLATING
7. PACKING  
T: TRAY



RECOMMENDED P.C.B LAYOUT (COMPONENT SIDE)  
P.C.B THICKNESS=1.20MM (TOLERANCE=±0.05)

ITEM	NAME	Q'TY	DESCRIPTION	NOTE
3	SHELL	1	SPCC, NICKEL 80u" MIN PLATING OVERALL	
2	CONTACT	4	BRASS, GOLD FLASH PLATING ON CONTACT AREA, TIN 100u" MIN PLATING SOLDER AREA, NICKEL 50u" MIN UNDER PLATING OVERALL	
1	HOUSING	1	LCP+30%G.F	BLACK, UL94 V-0

GENERAL TOLERANCE X±0.50 .X±0.38 .XX±0.25 .XXX±0.15	ANGLE TOLERANCE X°±5.0° .X°±3.0° .XX°±2.0° .XXX°±1.0°	DRAWN <i>knighe</i>	DATE 02/04/15'	 <b>TITLE</b> USB A TYPE DIP REVERSE <b>PART NUMBER</b> USAR-8C04-BK13T <b>DRAWING NO.</b> GT26-210373	<b>SIZE</b> A4 <b>REV.</b> A
MATL SEE BOM	FINISH SEE NOTES	CHECKED	DATE		
SCALE N/A	UNIT mm	APPROVED <i>River</i>	DATE 02/04/15'		
SHEET 1 OF 1					