

PROPRIETARY INFORMATION  
COMPANY CONFIDENTIAL

REV.	ECN. NO.	DESCRIPTION	ENG	DATE
A		INITIAL	Knight	02/04/15'
B		ADD CONTACT PLATING OPTION Au 30u"	Knight	05/05/15'

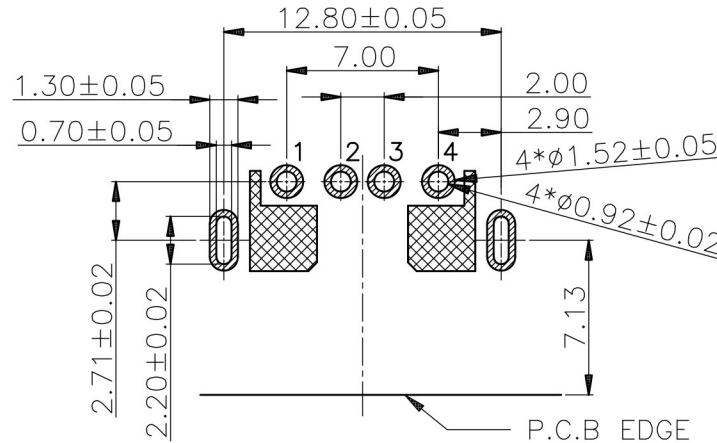
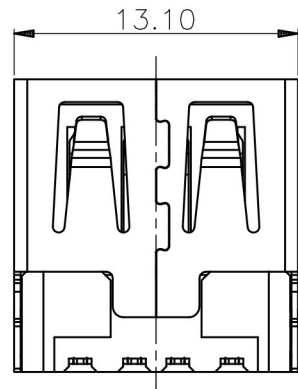
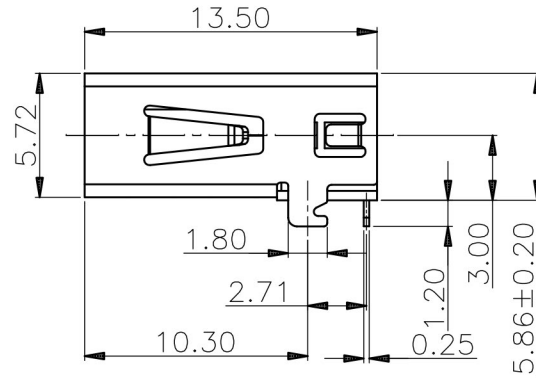
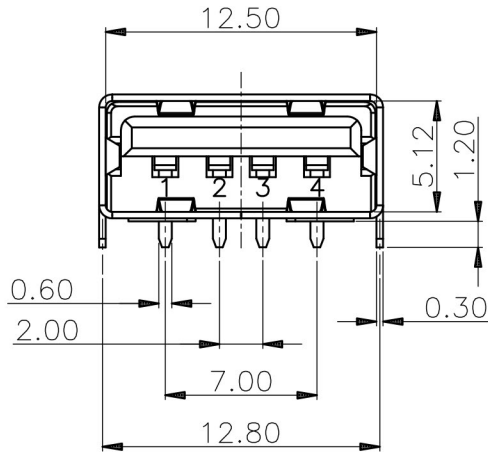
NOTES:

1. CURRENT RATING: 1.5A
2. DIELECTRIC WITHSTANDING VOLTAGE: 500V AC MAX
3. INSULATION RESISTANCE: 1000MΩ MIN
4. CONTACT RESISTANCE: 30mΩ MAX
5. INSERTION FORCE: 3.5(KG) MAX
6. EXTRACTION FORCE: 1.0(KG) MIN
7. RoHS COMPLIANCE

ORDER INFORMATION

USAR-8B 04 - B K X 3 T  
① ② ③ ④ ⑤ ⑥ ⑦

1. TYPE:  
USAR-8B:USB A TYPE DIP TYPE
2. POSITIONS:  
04:04 POSITIONS
3. INSULATOR MATERIAL:  
B: LCP
4. INSULATOR COLOR:  
K: BLACK
5. CONTACT PLATING:  
1: GOLD FLASH  
6: GOLD 30u"
6. SHIELD PLATING:  
3: NICKEL PLATING
7. PACKING  
T: TRAY



RECOMMENDED P.C.B LAYOUT (COMPONENT SIDE)  
P.C.B THICKNESS=1.20mm (TOLERANCE=±0.05)

ITEM	NAME	Q'TY	DESCRIPTION
3	SHELL	1	SPCC, NICKEL 80u" MIN PLATING OVERALL
2	CONTACT	4	BRASS, Au PLATING ON CONTACT AREA, TIN 100u" MIN PLATING SOLDER AREA, NICKEL 50u" MIN UNDER PLATING OVERALL
1	HOUSING	1	LCP+30%G.F

SCALE	UNIT
N/A	mm

GENERAL TOLERANCE	ANGLE TOLERANCE
X±0.50	X°±5.0°
.X±0.38	.X°±3.0°
.XX±0.25	.XX°±2.0°
.XXX±0.15	.XXX°±1.0°

DRAWN	DATE
<i>knighe</i>	05/05/15'
CHECKED	DATE
APPROVED	DATE
<i>River</i>	05/05/15'

GENESIS TECHNOLOGY, INC.	
TITLE	USB A TYPE DIP TYPE
PART NUMBER	USAR-8B04-BKX3T
DRAWING NO.	GT26-210372
SIZE	A4
REV.	B