

PROPRIETARY INFORMATION
COMPANY CONFIDENTIAL

REV.	ECN. NO.	DESCRIPTION	ENG	DATE
A		INITIAL	Knight	02/04/15'
B		ADD CONTACT PLATING OPTION Au 30u"	Knight	05/05/15'

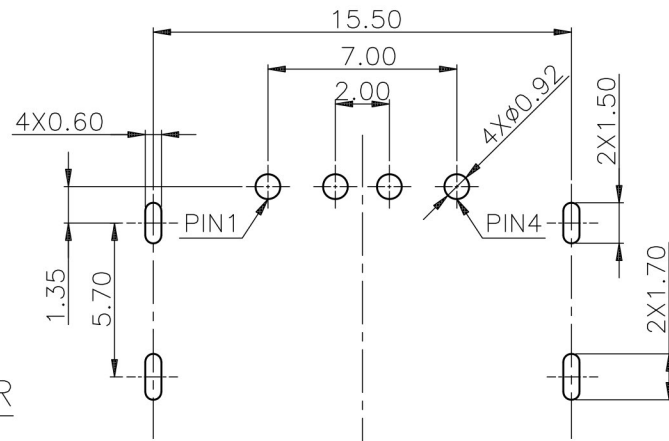
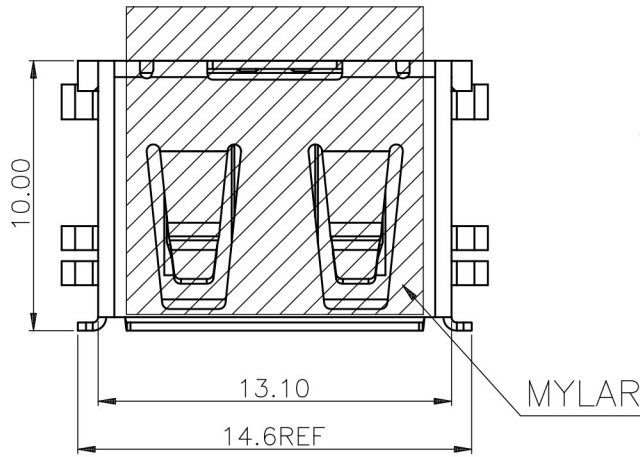
NOTES:

1. CURRENT RATING: 1.5A
2. DIELECTRIC WITHSTANDING VOLTAGE: 500V AC MAX
3. INSULATION RESISTANCE: 1000MΩ MIN
4. CONTACT RESISTANCE: 30mΩ MAX
5. INSERTION FORCE: 3.5(KG) MAX
6. EXTRACTION FORCE: 1.0(KG) MIN
7. RoHS COMPLIANCE

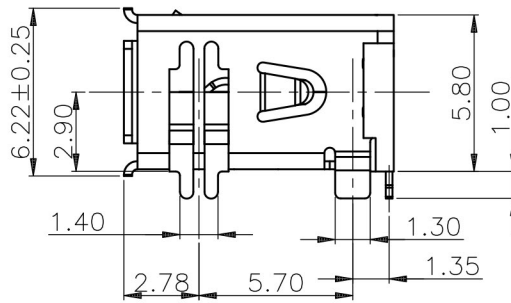
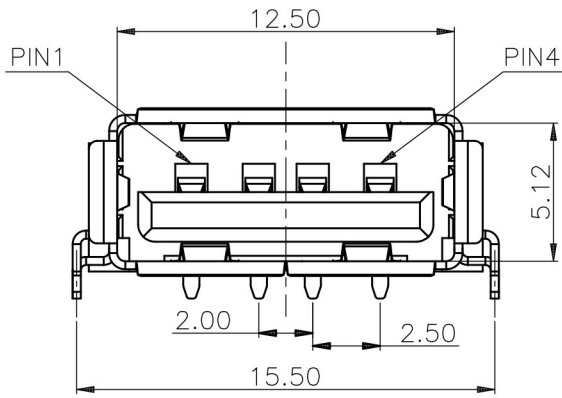
ORDER INFORMATION

USAR-8A 04 - B K X 3 I
① ② ③ ④ ⑤ ⑥ ⑦

1. TYPE:
USAR-8A:USB A TYPE DIP
2. POSITIONS:
04:04 POSITIONS
3. INSULATOR MATERIAL:
B:LCP
4. INSULATOR COLOR:
K: BLACK
5. CONTACT PLATING:
1: GOLD FLASH
② 6: GOLD 30u"
3: NICKEL PLATING
7. PACKING
T: TRAY



RECOMMENDED P.C.B LAYOUT (COMPONENT SIDE)
P.C.B THICKNESS=1.0MM (TOLERANCE=±0.05)



ITEM	NAME	Q'TY	DESCRIPTION
3	SHELL	1	SPCC, NICKEL 80u" MIN PLATING OVERALL
2	CONTACT	4	BRASS, Au PLATING ON CONTACT AREA, TIN 100u" MIN PLATING SOLDER AREA, NICKEL 50u" MIN UNDER PLATING OVERALL
1	HOUSING	1	LCP+30%G.F

GENERAL TOLERANCE	ANGLE TOLERANCE	DRAWN	DATE
X ± 0.50	X° ± 5.0°	<i>knighe</i>	05/05/15'
.X ± 0.38	.X° ± 3.0°	CHECKED	DATE
.XX ± 0.25	.XX° ± 2.0°		
.XXX ± 0.15	.XXX° ± 1.0°		
MATL	SEE BOM	APPROVED	DATE
FINISH	SEE NOTES	<i>River</i>	05/05/15'
SCALE	N/A		
SHEET	1 OF 1		

TITLE: USB A TYPE DIP TYPE	
PART NUMBER: USAR-8A04-BKX3T	
DRAWING NO. GT26-210371	SIZE A4 REV. B