

PROPRIETARY INFORMATION
COMPANY CONFIDENTIAL

REV	ECN. NO.	DESCRIPTION	ENG	DATE
A		INITIAL	Knight	02/04/15'

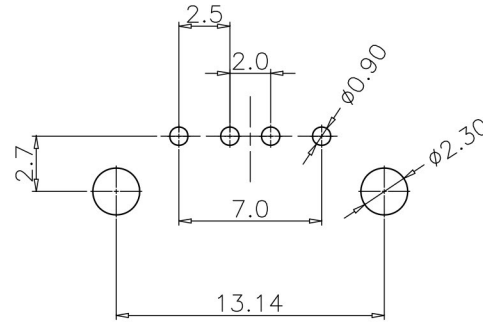
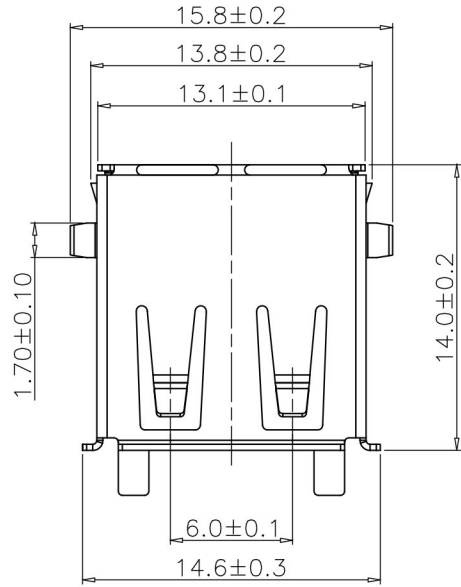
NOTES:

1. CURRENT RATING: 1.5A
2. DIELECTRIC WITHSTANDING VOLTAGE: 500V AC MAX
3. INSULATION RESISTANCE: 1000MΩ MIN
4. CONTACT RESISTANCE: 30mΩ MAX
5. INSERTION FORCE: 3.5(KG) MAX
6. EXTRACTION FORCE: 1.0(KG) MIN
7. RoHS COMPLIANCE

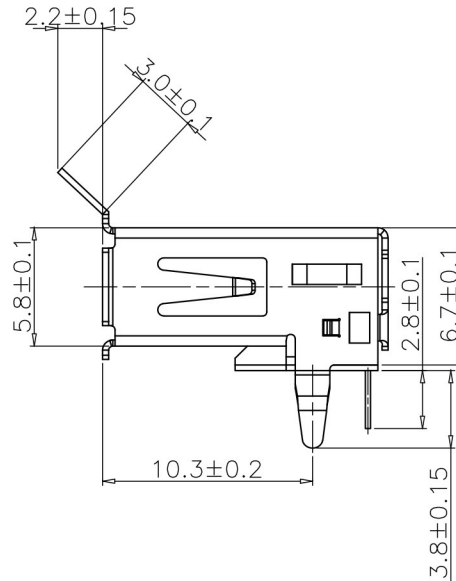
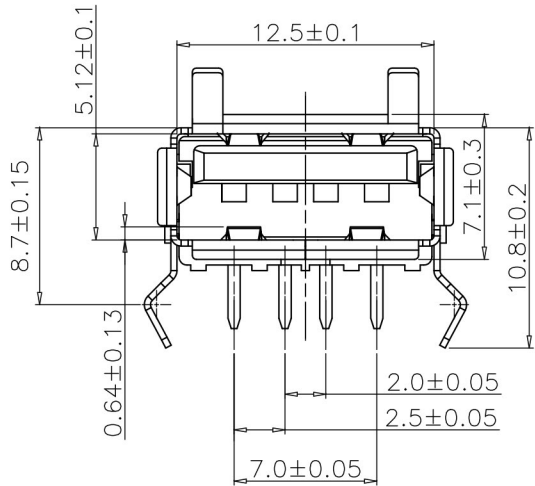
ORDER INFORMATION

USAR-88 04 - A K 1 3 T
① ② ③④⑤⑥⑦

1. TYPE:
USAR-88:USB A Type Receptacle, Right Angle, Through Hole Solder Tail
2. POSITIONS:
04:04 POSITIONS
3. INSULATOR MATERIAL:
A: PBT
4. INSULATOR COLOR:
K: BLACK
5. CONTACT PLATING:
1: GOLD FLASH
6. SHIELD PLATING:
3: NICKEL PLATING
7. PACKING
T: TRAY



PCB LAYOUT



ITEM	NAME	Q'TY	DESCRIPTION	NOTE
3	SHELL	1	SPCC, NICKEL 80u" MIN PLATING OVERALL	
2	CONTACT	4	BRASS, GOLD FLASH PLATING ON CONTACT AREA, TIN 100u" MIN PLATING SOLDER AREA, NICKEL 50u" MIN UNDER PLATING OVERALL	
1	HOUSING	1	PBT+30%G.F	BLACK, UL94 V-0

GENERAL TOLERANCE X.± 0.50 .X± 0.38 .XX± 0.25 .XXX± 0.15	ANGLE TOLERANCE X°± 5.0° .X°± 3.0° .XX°± 2.0° .XXX°± 1.0°	DRAWN <i>knighe</i>	DATE 02/04/15'	 TITLE: USB A Type Receptacle, Right Angle, through Hole Solder Tail & Shell-Kinked PART NUMBER: USAR-8804-AK13T DRAWING NO.: GT26-210368	SIZE A4 REV. A
MATL SEE BOM	FINISH SEE NOTES	CHECKED	DATE		
SCALE N/A	UNIT mm	APPROVED <i>River</i>	DATE 02/04/15'		
SHEET 1 OF 1					